

Canon SERVICE INFORMATION

Issued by The Office Imaging Products Quality Assurance Center, Canon Inc.

MODEL: **iR8500/8500P**
I7200/7200P

No. : F-04-E01009/J01008

DATE : OCT.,2001

J. Sakai

LOCATION

SUBJECT : Revised Parts Catalog

We are issuing revised Parts Catalog. Please go over the descriptions that follow for the catalog.

The Parts Catalog being issued covers the modifications to the machine that have been made after the previous catalog was issued and corrections made since then.

Particulars

Name of Parts Catalog: iR8500/8500P/7200/7200P

Type of Revision : Full revision

Kindly replace the previous with the one being issued.

FY8-31F7-01Y

R E V I S I O N P A G E L I S T

Model : iR8500/8500P/7200/7200P

Page 2

OLD		REVI-SION	NEW	
FIGURE	PAGE		FIGURE	PAGE
3	1	R	3	1
	2	R		2
	3	R		3
	4	R		4
A	1	R	A	1
	2	R		2
	3	R		3
	4	R		4
	5	R		5
		S		6
020	1		020	1
100	1	R	100	1
	2	R		2
	3	R		3
	4	R		4
	5	R		5
101	1	R	101	1
	2	R		2
	3	R		3
102	1		102	1
	2	R		2
	3			3
	4	R		4
103	1	R	103	1

OLD		REVI-SION	NEW	
FIGURE	PAGE		FIGURE	PAGE
103	2	R	103	2
	3	R		3
104	1	R	104	1
	2	R		2
	3	R		3
105	1	R	105	1
		S		2
	2	R		3
	3	R		4
106	1	R	106	1
	2	R		2
	3	R		3
107	1	R	107	1
	2	R		2
	3	R		3
		S		4
108	1		108	1
110	1	R	110	1
	2	R		2
111	1	R	111	1
	2	R		2
120	1	R	120	1

R E V I S I O N P A G E L I S T

Model : iR8500/8500P/7200/7200P

OLD		REVI-SION	NEW	
FIGURE	PAGE		FIGURE	PAGE
120	2	R	120	2
130	1	R	130	1
	2	R		2
	3	R		3
190	1		190	1
194	1	R	194	1
195	1		195	1
210	1	R	210	1
	2	R		2
	3	R		3
	4	R		4
	5	R		5
	6	R		6
		S	211	1
		S		2
		S		3
		S		4
		S		5
		S		6
215	1	R	215	1
	2	R		2
	3	R		3

OLD		REVI-SION	NEW	
FIGURE	PAGE		FIGURE	PAGE
230	1		230	1
231	1	R	231	1
250	1	R	250	1
	2	R		2
	3	R		3
251	1		251	1
260	1		260	1
	2	R		2
261	1	R	261	1
263	1		263	1
264	1	R	264	1
	2	R		2
270	1	R	270	1
	2	R		2
275	1	R	275	1
	2	R		2
	3	R		3
	4	R		4
	5	R		5
280	1		280	1

R E V I S I O N P A G E L I S T

Model : iR8500/8500P/7200/7200P

Page 4

OLD		REVI-SION	NEW	
FIGURE	PAGE		FIGURE	PAGE
280	2		280	2
300	1	R	300	1
	2	R		2
	3	R		3
	4	R		4
302	1	R	302	1
	2	R		2
	3	R		3
303	1	R	303	1
	2	R		2
	3	R		3
	4	R		4
305	1	R	305	1
311	1	R	311	1
	2	R		2
	3	R		3
	4	R		4
	5	R		5
312	1	R	312	1
	2	R		2
	3	R		3
	4	R		4
313	1	R	313	1

OLD		REVI-SION	NEW	
FIGURE	PAGE		FIGURE	PAGE
313	2	R	313	2
	3	R		3
	4	R		4
315	1	R	315	1
	2	R		2
	3	R		3
	4	R		4
316	1	R	316	1
	2	R		2
320	1	R	320	1
	2	R		2
	3	R		3
	4	R		4
	5	R		5
	6	R		6
	7	R		7
	8	R		8
	9	R		9
	10	R		10
325	1	R	325	1
	2	R		2
	3	R		3
330	1		330	1
	2			2

R E V I S I O N P A G E L I S T

Model : iR8500/8500P/7200/7200P

OLD		REVI-SION	NEW	
FIGURE	PAGE		FIGURE	PAGE
350	1	R	350	1
	2			2
	3			3
351	1	R	351	1
	2	R		2
	3	R		3
360	1	R	360	1
	2	R		2
	3	R		3
	4	R		4
	5	R		5
	6	R		6
	7	R		7
	8	R		8
420	1	R	420	1
	2	R		2
	3	R		3
		S	421	1
		S		2
430	1	R	430	1
	2	R		2
		S	431	1
		S		2

OLD		REVI-SION	NEW	
FIGURE	PAGE		FIGURE	PAGE
460	1	R	460	1
	2	R		2
510	1		510	1
	2	R		2
550	1		550	1
	2			2
	3			3
570	1	R	570	1
	2	R		2
		S		3
580	1	R	580	1
	2	R		2
	3	R		3
600	1	R	600	1
	2	R		2
	3	R		3
	4	R		4
	5	R		5
	6	R		6
640	1	R	640	1
	2	R		2
	3	R		3
645	1	R	645	1

R E V I S I O N P A G E L I S T

Model : iR8500/8500P/7200/7200P

Page 6

OLD		REVI-SION	NEW	
FIGURE	PAGE		FIGURE	PAGE
645	2		645	2
	3			3
720	1		720	1
	2			2
770	1	R	770	1
	2	R		2
775	1	R	775	1
810	1	R	810	1
	2	R		2
	3	R		3
	4	R		4
	5	R		5
	6	R		6
	7	R		7
900	1	R	900	1
	2	R		2
	3	R		3
910	1	R	910	1
	2	R		2
920	1		920	1
925	1		925	1

OLD		REVI-SION	NEW	
FIGURE	PAGE		FIGURE	PAGE
930	1	R	930	1
935	1	R	935	1
		S	936	1
940	1		940	1
	2			2
945	1		945	1
960	1		960	1
970	1	R	970	1
980	1	R	980	1
985	1	R	985	1
	2	R		2
B	1	R	B	1
	2	R		2
	3	R		3
	4	R		4
		S		5
	5			6
	6			7
	7	R		8
	8	R		9
	9	R		10

**iR 8500 / 8500P
/ 7200 / 7200P**

**PARTS
CATALOG**

REVISION 1

Canon

OCT. 2001

FY8-31F7-010

PREFACE

This Parts Catalog contains listings of parts used in the iR8500/8500P/7200/7200P. Diagrams are provided with the listings to aid the service technician in identifying clearly, the item to be ordered.

Whenever ordering parts, consult this Parts Catalog for all of the information pertaining to each item. Be sure to include, in the Parts Request, the full item description, the item part number and the quantity.

Canon Inc.

Office Imaging Products Quality Assurance Center
5-1, Hakusan 7-chome,
Toride-city, Ibaraki 302-8501, Japan

COPYRIGHT © 2001 CANON INC.

Printed in Japan
Imprimé au Japon

CONTENTS

<p style="text-align: center;">- iR8500/8500P/7200/7200P -</p> <p>A. ASSEMBLY LOCATION DIAGRAM</p> <p>020. SPECIAL TOOLS</p> <p>100. EXTERNAL COVERS, PANELS, ETC.</p> <p>101. MACHINE FRONT PLATE</p> <p>102. INTERNAL COMPONENTS 1</p> <p>103. INTERNAL COMPONENTS 2</p> <p>104. INTERNAL COMPONENTS 3</p> <p>105. INTERNAL COMPONENTS 4</p> <p>106. MACHINE REAR PLATE 1</p> <p>107. MACHINE REAR PLATE 2</p> <p>108. MACHINE BOTTOM PLATE</p> <p>110. POWER CORD TERMINAL ASSEMBLY (100V)</p> <p>111. POWER CORD TERMINAL ASSEMBLY (208/220/240V)</p> <p>120. DOOR SWITCH MOUNT ASSEMBLY</p> <p>130. CONTROL PANEL ASSEMBLY</p> <p>190. FIXING EXHAUST FAN ASSEMBLY</p> <p>194. SCANNER COOLING FAN ASSEMBLY</p> <p>195. DRUM INTAKE FAN ASSEMBLY</p> <p>210. LENS MOUNT ASSEMBLY (iR8500/8500P TYPE)</p> <p>211. READER ASSEMBLY (iR7200/7200P TYPE)</p> <p>215. SCANNER MOUNT ASSEMBLY</p> <p>230. VERTICAL PATH DRIVE ASSEMBLY</p> <p>231. LIFTER DRIVE ASSEMBLY</p> <p>250. MAIN DRIVE ASSEMBLY</p> <p>251. DRUM DRIVE ASSEMBLY</p> <p>260. PAPER PICK-UP DRIVE ASSEMBLY</p> <p>261. CASSETTE PICK-UP DRIVE ASSEMBLY</p> <p>263. LEFT PICK-UP DRIVE ASSEMBLY</p> <p>264. MULTI FEED DRIVE ASSEMBLY</p> <p>270. DEVELOPING DRIVE ASSEMBLY</p> <p>275. TONER CARTRIDGE DRIVE ASSEMBLY</p> <p>280. WASTE TONER DRIVE ASSEMBLY</p> <p>300. CASSETTE</p> <p>302. 1.5K RIGHT PAPER STOCK ASSEMBLY</p> <p>303. 1.5K LEFT PAPER STOCK ASSEMBLY</p> <p>305. CASSETTE HEATER ASSEMBLY</p> <p>311. CASSETTE PICK-UP ASSEMBLY</p> <p>312. FRONT DECK RIGHT PICK-UP ASSEMBLY</p> <p>313. FRONT DECK LEFT PICK-UP ASSEMBLY</p> <p>315. MULTI FEED ASSEMBLY</p>	<p>316. MULTI FEED TRAY ASSEMBLY</p> <p>320. FIXING/FEEDER FRAME ASSEMBLY</p> <p>325. REGISTRATION/TRANSFER ASSEMBLY</p> <p>330. FEEDER ASSEMBLY</p> <p>350. INTERNAL DELIVERY UPPER ASSEMBLY</p> <p>351. EXTERNAL DELIVERY UPPER ASSEMBLY</p> <p>360. DUPLEXING FEEDER ASSEMBLY</p> <p>420. MIRROR ASSEMBLY 1 (iR8500/8500P TYPE)</p> <p>421. MIRROR ASSEMBLY 1 (iR7200/7200P TYPE)</p> <p>430. MIRROR ASSEMBLY 2 (iR8500/8500P TYPE)</p> <p>431. MIRROR ASSEMBLY 2 (iR7200/7200P TYPE)</p> <p>460. SCANNER ASSEMBLY</p> <p>510. PHOTO-SENSITIVE DRUM ASSEMBLY</p> <p>550. PRIMARY CORONA ASSEMBLY</p> <p>570. PRE-TRANSFER CORONA ASSEMBLY</p> <p>580. TRANSFER/SEPARATE CORONA ASSEMBLY</p> <p>600. AP KIT ASSEMBLY</p> <p>640. DEVELOPING ASSEMBLY</p> <p>645. BUFFER ASSEMBLY</p> <p>720. SEPARATION CLAW DRIVE ASSEMBLY</p> <p>770. WASTE TONER ASSEMBLY</p> <p>775. WASTE TONER PIPE ASSEMBLY</p> <p>810. FIXING ASSEMBLY</p> <p>900. CONTROLLER BOX ASSEMBLY</p> <p>910. DC POWER SUPPLY PCB ASSEMBLY</p> <p>920. CONTROL PANEL CPU PCB ASSEMBLY</p> <p>925. CONTROL PANEL INVERTER PCB ASSEMBLY</p> <p>930. DC CONTROLLER PCB ASSEMBLY</p> <p>935. READER CONTROLLER PCB ASSEMBLY (iR8500/8500P TYPE)</p> <p>936. READER CONTROLLER PCB ASSEMBLY (iR7200/7200P TYPE)</p> <p>940. POTENTIAL MEASURING PCB ASSEMBLY</p> <p>945. INVERTER PCB ASSEMBLY</p> <p>960. AC DRIVER PCB ASSEMBLY</p> <p>970. DOCUMENT DETECT PCB ASSEMBLY (iR8500/8500P TYPE)</p> <p>980. H.V. AC TRANSFORMER PCB ASSEMBLY</p> <p>985. H.V. DC TRANSFORMER PCB ASSEMBLY</p> <p>B. LIST OF CONNECTORS</p>
--	---

CONTENTS

- -
- UA. ASSEMBLY LOCATION DIAGRAM
- U10. LIPS PRINTER KIT ASSEMBLY
- U90. LIPS BOARD PCB ASSEMBLY

- Ethernet Network Interface Adapter
iN-E3 -
- GA. ASSEMBLY LOCATION DIAGRAM
- G10. NETWORK MULTI PDL PRINTER KIT ASSEMBLY

- C. LIST OF STANDARD FASTENERS

- D1. NUMERICAL INDEX
(iR8500/8500P/7200/7200P)
- D2. NUMERICAL INDEX
- D3. NUMERICAL INDEX
(Ethernet Network Interface Adapter
iN-E3)

iR8500/8500P/7200/7200P

LIST OF SERIAL NUMBER

iR8500

100V 50/60HZ	F14-0311	LQP00001-
208V 60HZ	F14-0331	MPB00001-
230V 50HZ	F14-0391	UNN00001-
230V 50HZ	F14-0351	QNF00001-
230V 50HZ	F14-0371	SNE00001-
230V 50HZ	F14-0381	TNE00001-
230V 50HZ	F14-0321	PNK00001-
230V 50HZ	F14-0341	PNL00001-
230V 50HZ	F14-0361	RNF00001-

iR8500P

100V 50/60HZ	F14-0314	LGU00001-
--------------	----------	-----------

iR7200

100V 50/60HZ	F14-0313	MHV00001-
230V 50HZ	F14-0323	QSV00001-
208V 50HZ	F14-0333	MPV00001-
230V 50HZ	F14-0343	QSX00001-
230V 50HZ	F14-0353	QES00001-
230V 50HZ	F14-0363	RES00001-
230V 50HZ	F14-0373	SDR00001-
230V 50HZ	F14-0383	TED00001-
230V 50HZ	F14-0393	UHV00001-

iR7200P

100V 50/60HZ	F14-0315	MHX00001-
--------------	----------	-----------

CONTENTS

A.	ASSEMBLY LOCATION DIAGRAM	325.	REGISTRATION/TRANSFER ASSEMBLY
020.	SPECIAL TOOLS	330.	FEEDER ASSEMBLY
100.	EXTERNAL COVERS, PANELS, ETC.	350.	INTERNAL DELIVERY UPPER ASSEMBLY
101.	MACHINE FRONT PLATE	351.	EXTERNAL DELIVERY UPPER ASSEMBLY
102.	INTERNAL COMPONENTS 1	360.	DUPLEXING FEEDER ASSEMBLY
103.	INTERNAL COMPONENTS 2	420.	MIRROR ASSEMBLY 1 (iR8500/8500P TYPE)
104.	INTERNAL COMPONENTS 3	421.	MIRROR ASSEMBLY 1 (iR7200/7200P TYPE)
105.	INTERNAL COMPONENTS 4	430.	MIRROR ASSEMBLY 2 (iR8500/8500P TYPE)
106.	MACHINE REAR PLATE 1	431.	MIRROR ASSEMBLY 2 (iR7200/7200P TYPE)
107.	MACHINE REAR PLATE 2	460.	SCANNER ASSEMBLY
108.	MACHINE BOTTOM PLATE	510.	PHOTO-SENSITIVE DRUM ASSEMBLY
110.	POWER CORD TERMINAL ASSEMBLY (100V)	550.	PRIMARY CORONA ASSEMBLY
111.	POWER CORD TERMINAL ASSEMBLY (208/220/240V)	570.	PRE-TRANSFER CORONA ASSEMBLY
120.	DOOR SWITCH MOUNT ASSEMBLY	580.	TRANSFER/SEPARATE CORONA ASSEMBLY
130.	CONTROL PANEL ASSEMBLY	600.	AP KIT ASSEMBLY
190.	FIXING EXHAUST FAN ASSEMBLY	640.	DEVELOPING ASSEMBLY
194.	SCANNER COOLING FAN ASSEMBLY	645.	BUFFER ASSEMBLY
195.	DRUM INTAKE FAN ASSEMBLY	720.	SEPARATION CLAW DRIVE ASSEMBLY
210.	LENS MOUNT ASSEMBLY (iR8500/8500P TYPE)	770.	WASTE TONER ASSEMBLY
211.	READER ASSEMBLY (iR7200/7200P TYPE)	775.	WASTE TONER PIPE ASSEMBLY
215.	SCANNER MOUNT ASSEMBLY	810.	FIXING ASSEMBLY
230.	VERTICAL PATH DRIVE ASSEMBLY	900.	CONTROLLER BOX ASSEMBLY
231.	LIFTER DRIVE ASSEMBLY	910.	DC POWER SUPPLY PCB ASSEMBLY
250.	MAIN DRIVE ASSEMBLY	920.	CONTROL PANEL CPU PCB ASSEMBLY
251.	DRUM DRIVE ASSEMBLY	925.	CONTROL PANEL INVERTER PCB ASSEMBLY
260.	PAPER PICK-UP DRIVE ASSEMBLY	930.	DC CONTROLLER PCB ASSEMBLY
261.	CASSETTE PICK-UP DRIVE ASSEMBLY	935.	READER CONTROLLER PCB ASSEMBLY (iR8500/8500P TYPE)
263.	LEFT PICK-UP DRIVE ASSEMBLY	936.	READER CONTROLLER PCB ASSEMBLY (iR7200/7200P TYPE)
264.	MULTI FEED DRIVE ASSEMBLY	940.	POTENTIAL MEASURING PCB ASSEMBLY
270.	DEVELOPING DRIVE ASSEMBLY	945.	INVERTER PCB ASSEMBLY
275.	TONER CARTRIDGE DRIVE ASSEMBLY	960.	AC DRIVER PCB ASSEMBLY
280.	WASTE TONER DRIVE ASSEMBLY	970.	DOCUMENT DETECT PCB ASSEMBLY (iR8500/8500P TYPE)
300.	CASSETTE	980.	H.V. AC TRANSFORMER PCB ASSEMBLY
302.	1.5K RIGHT PAPER STOCK ASSEMBLY	985.	H.V. DC TRANSFORMER PCB ASSEMBLY
303.	1.5K LEFT PAPER STOCK ASSEMBLY	B.	LIST OF CONNECTORS
305.	CASSETTE HEATER ASSEMBLY	D1.	NUMERICAL INDEX
311.	CASSETTE PICK-UP ASSEMBLY		
312.	FRONT DECK RIGHT PICK-UP ASSEMBLY		
313.	FRONT DECK LEFT PICK-UP ASSEMBLY		
315.	MULTI FEED ASSEMBLY		
316.	MULTI FEED TRAY ASSEMBLY		
320.	FIXING/FEEDER FRAME ASSEMBLY		

FIGURE A ASSEMBLY LOCATION DIAGRAM(1/6)

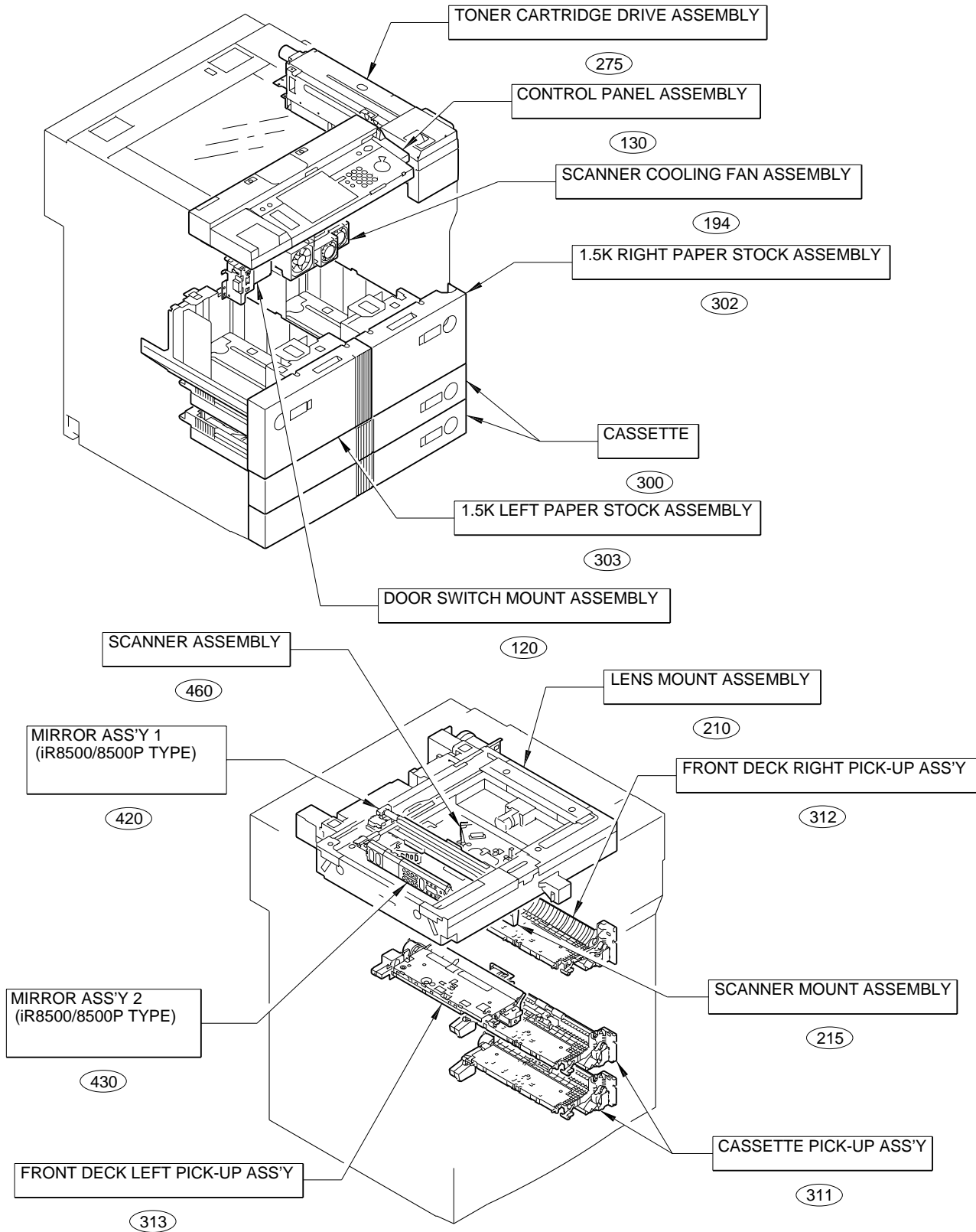


FIGURE A ASSEMBLY LOCATION DIAGRAM(2/6)

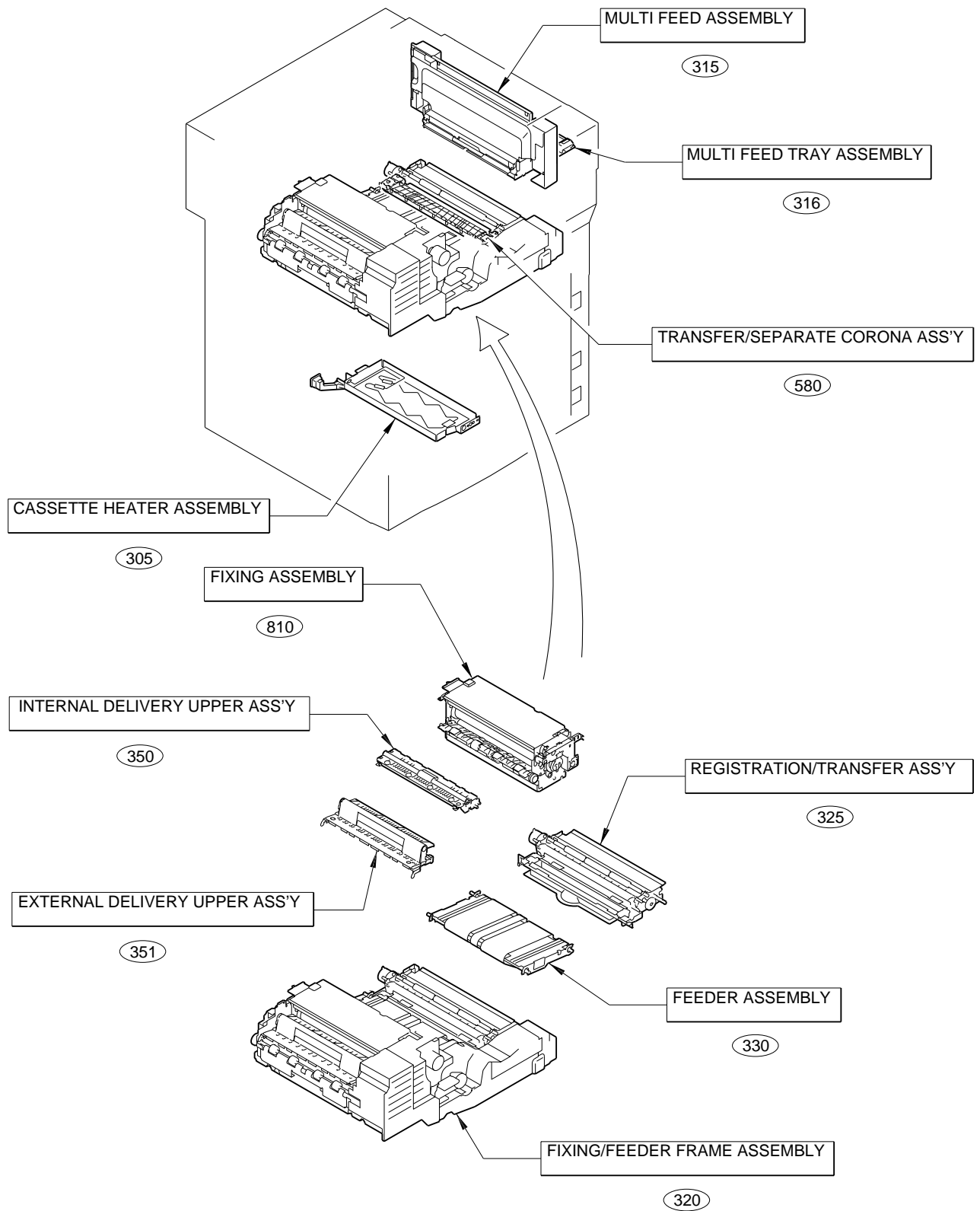


FIGURE A ASSEMBLY LOCATION DIAGRAM(3/6)

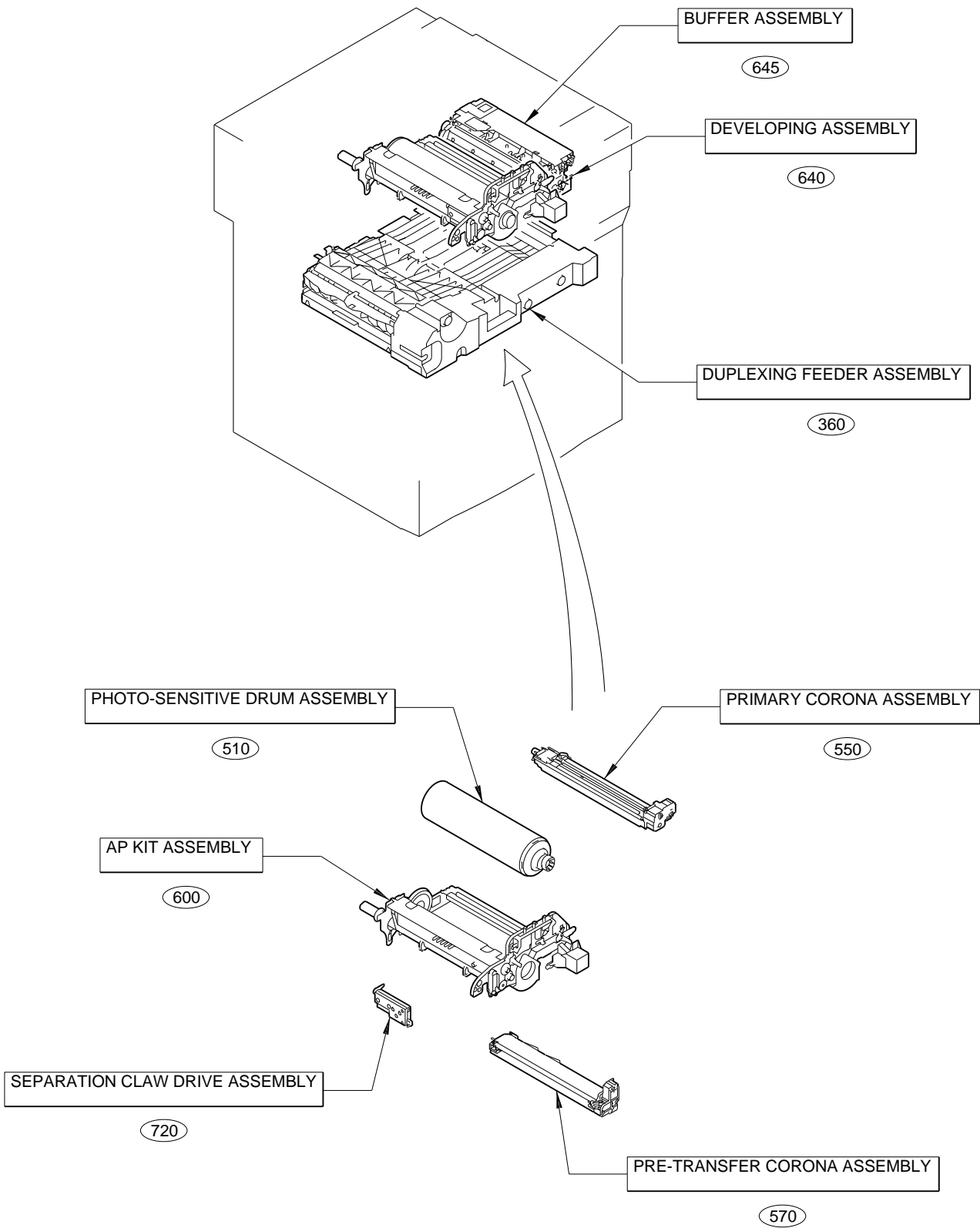


FIGURE A ASSEMBLY LOCATION DIAGRAM(4/6)

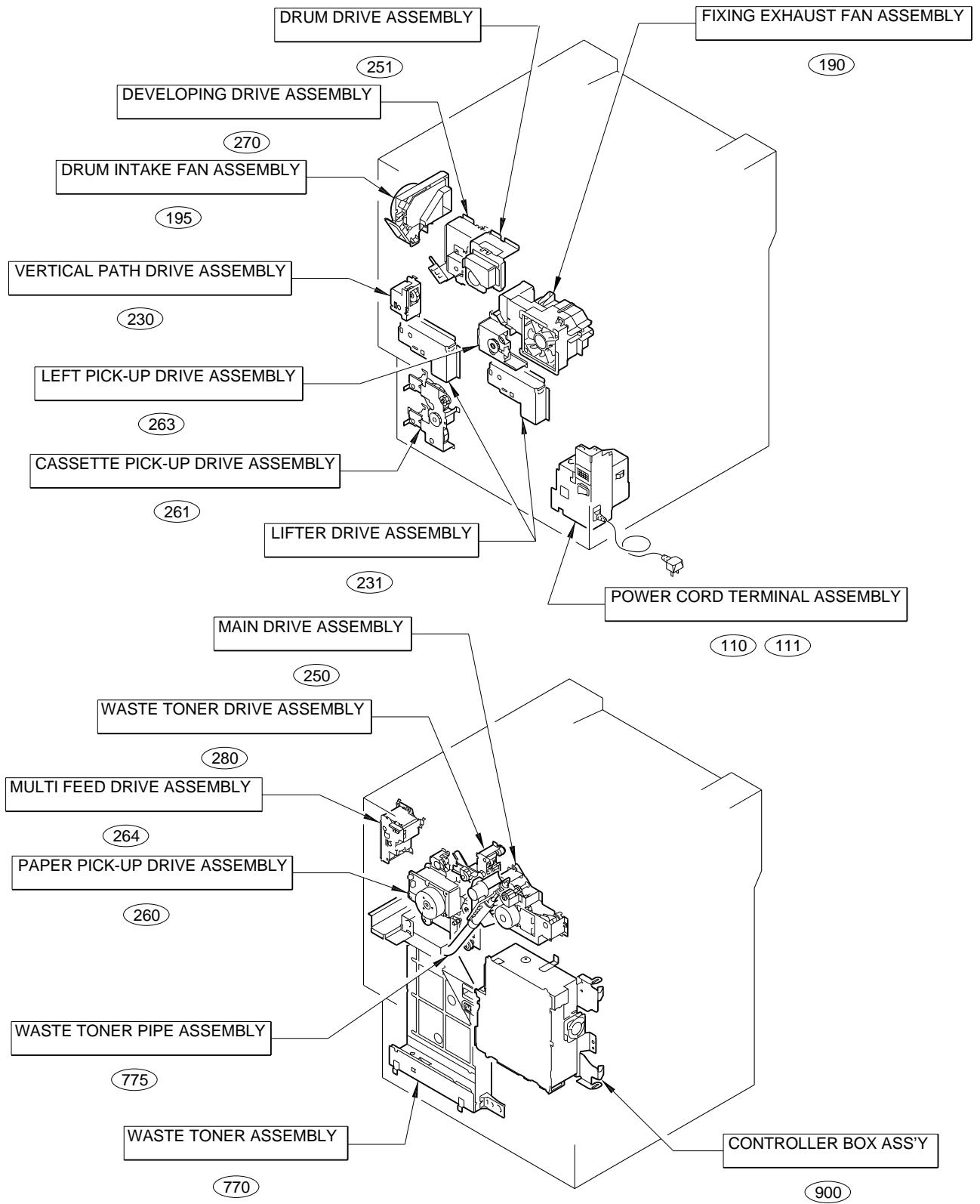


FIGURE A ASSEMBLY LOCATION DIAGRAM(5/6)

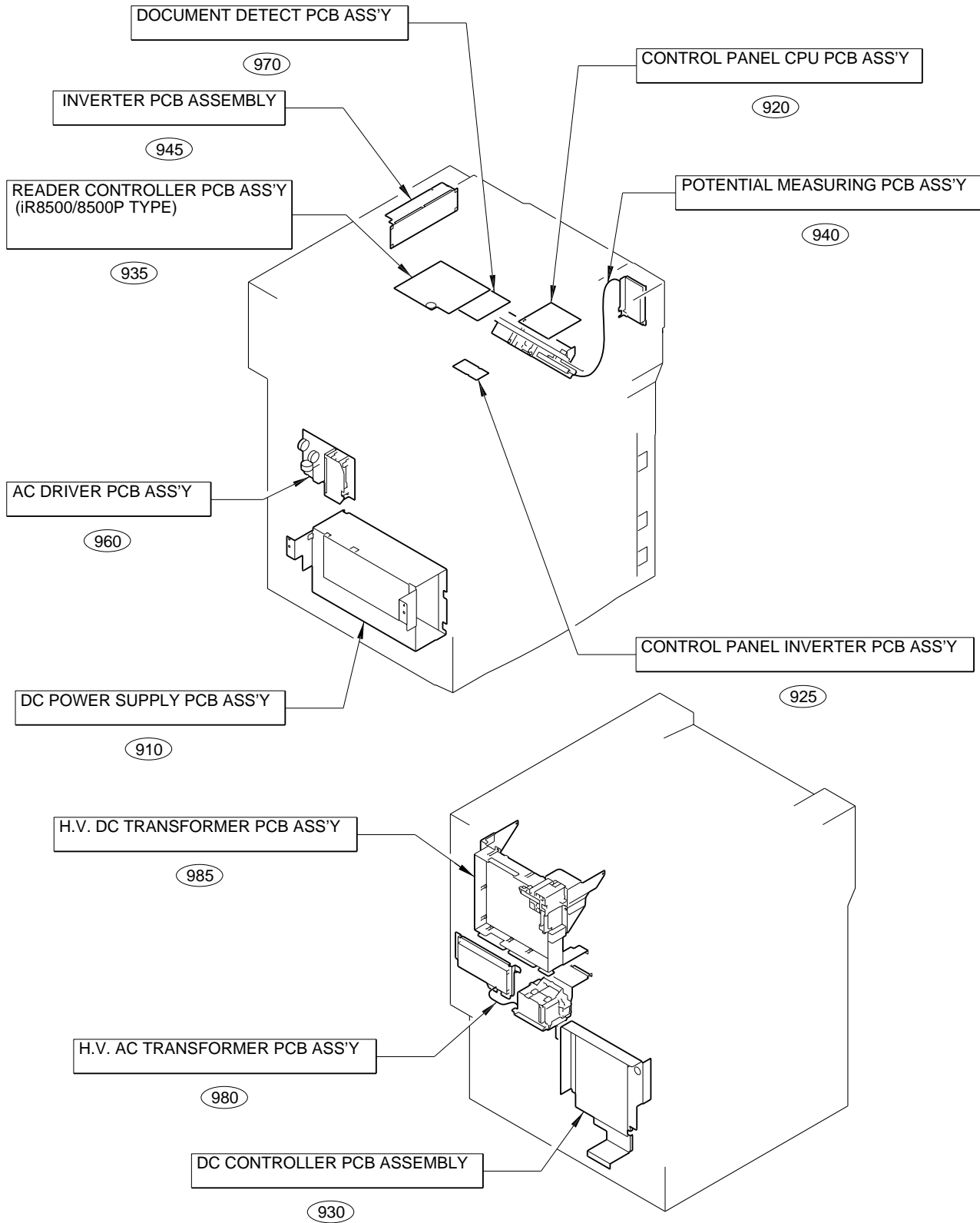


FIGURE A ASSEMBLY LOCATION DIAGRAM(6/6)

iR7200/7200P TYPE

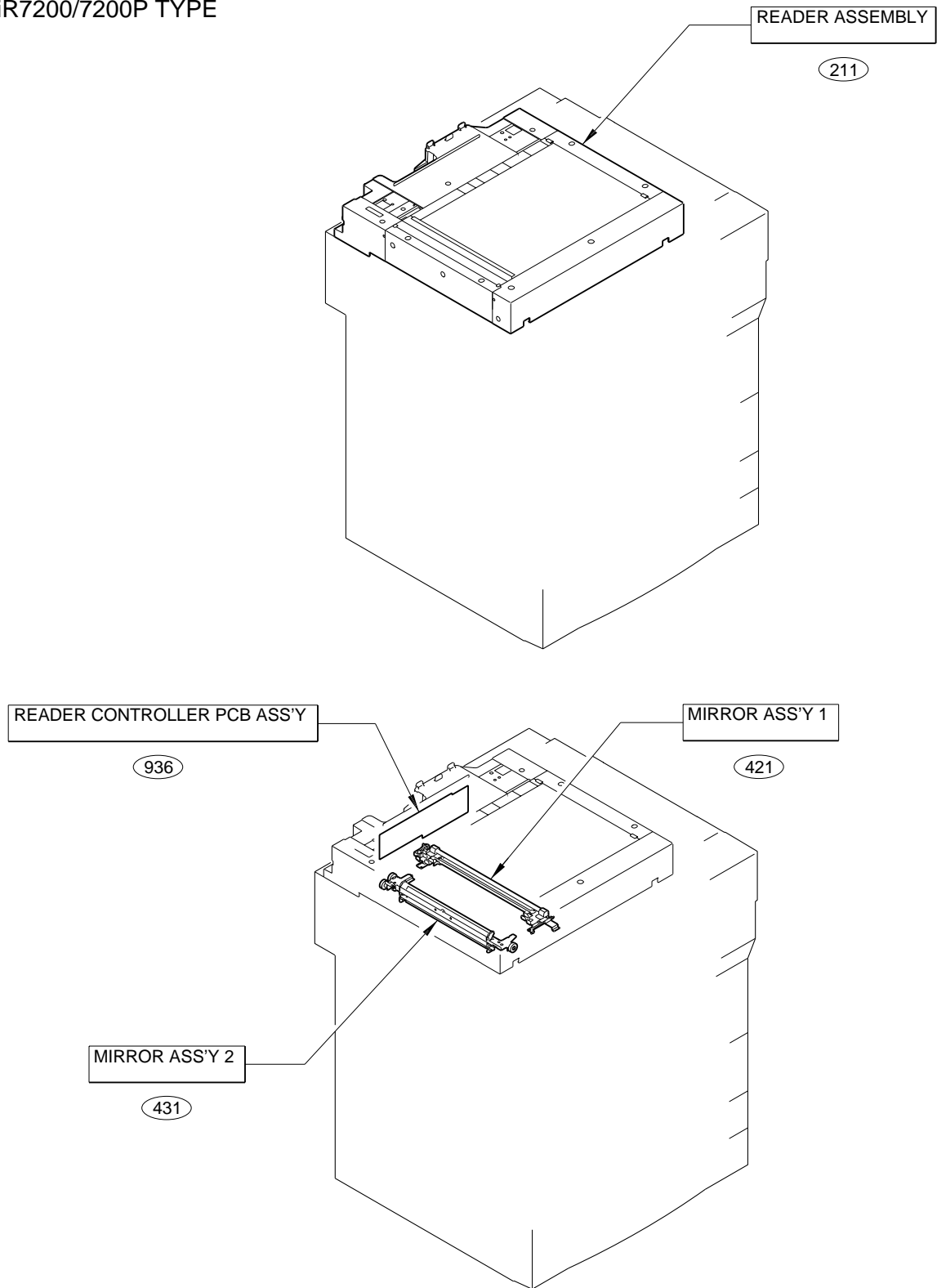


FIGURE 020 SPECIAL TOOLS

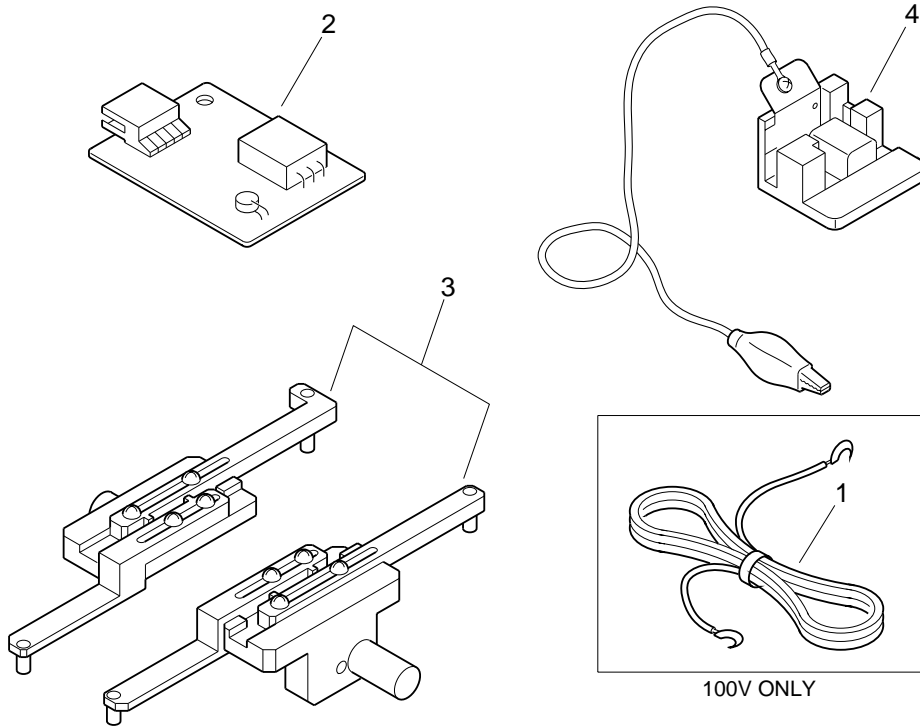


FIGURE & KEY NO.	PART NUMBER	RANK	QTY	DESCRIPTION	SERIAL NUMBER / REMARKS
020 -	NPN		RF	SPECIAL TOOLS	
1	FH2 - 5006 - 000		1	WIRE, GROUNDING	
2	FY9 - 3014 - 000		1	ENVIRONMENT SENSOR TOOL	
3	FY9 - 3040 - 000		1	MIRROR POSITIONING TOOLS	
4	FY9 - 3041 - 000		1	TERMINAL, POTENTIAL SENSOR	

FIGURE 100 EXTERNAL COVERS, PANELS, ETC.

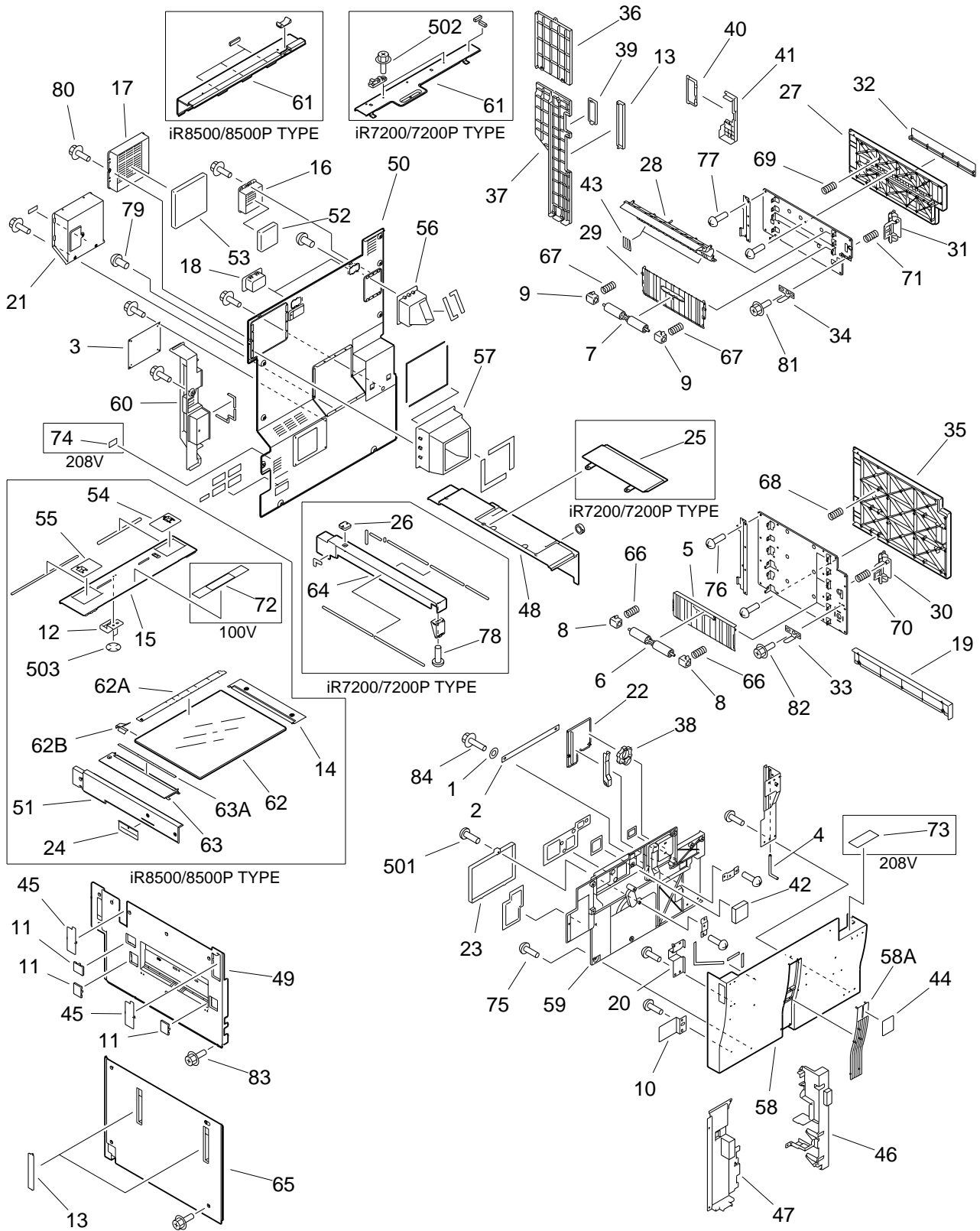


FIGURE & KEY NO.	PART NUMBER	RANK	QTY	DESCRIPTION	SERIAL NUMBER / REMARKS
100 -	NPN		RF	EXTERNAL COVERS, PANELS, ETC.	
1	FA2 - 7162 - 000		1	WASHER, PLAIN	
2	FA6 - 0745 - 000		1	TAPE, DOOR	
3	FB1 - 7157 - 000		1	COVER	
4	FB2 - 0037 - 000		1	PIN, HINGE	
5	FB2 - 7750 - 000		3	GUIDE, VERTICAL PATH SWING	
6	FB2 - 7754 - 030		3	ROLLER	
7	FB2 - 7754 - 030		1	ROLLER	
8	FB2 - 7755 - 000		6	BUSHING	
9	FB2 - 7755 - 000		2	BUSHING	
10	FB2 - 7864 - 000		1	PLATE, MAGNET	
11	FB2 - 8021 - 000		3	COVER, CAP, LEFT	
12	FB2 - 8043 - 000		1	SUPPORT, REAR COVER, UPPER	iR8500/8500P TYPE
13	FB2 - 8102 - 000		3	COVER, HANDLE, 1	
14	FB2 - 8226 - 000		1	SUPPORT, GLASS, RIGHT	iR8500/8500P TYPE
15	FB4 - 1359 - 000		1	COVER, REAR UPPER	iR8500/8500P TYPE
16	FB4 - 1391 - 000		1	CASE, OZONE FILTER, DRUM	
17	FB4 - 1392 - 000		1	CASE, OZONE FILTER, FIXING	
18	FB4 - 1396 - 000		2	HANDLE, REAR COVER	
19	FB4 - 1423 - 000		1	COVER, RIGHT LOWER	
20	FB4 - 1437 - 000		1	ACTUATOR	
21	FB4 - 1558 - 000		1	COVER, CONNECTOR	
22	FB4 - 1717 - 000		1	COVER, TOOL	
23	FB4 - 1727 - 000		1	COVER, SERVICE BOOK	
24	FB4 - 1735 - 000		1	PLATE, MIRROR MOUNT STOP	iR8500/8500P TYPE
25	FB4 - 1871 - 000		1	PANEL, CARTRIDGE	iR7200/7200P TYPE
26	FB4 - 1876 - 000		1	CAP, BLANKING	iR7200/7200P TYPE
27	FB4 - 1960 - 000		1	RIGHT DOOR, UPPER	
28	FB4 - 1962 - 000		1	GUIDE, REGISTRATION, SWING	
29	FB4 - 1964 - 000		1	GUIDE, VERTICAL PATH SWING	

FIGURE & KEY NO.	PART NUMBER	RANK	QTY	DESCRIPTION	SERIAL NUMBER / REMARKS
100 - 30	FB4 - 1965 - 000		1	HANDLE, RIGHT DOOR	
31	FB4 - 1965 - 000		1	HANDLE, RIGHT DOOR	
32	FB4 - 1967 - 000		1	PLATE, BLANKING	
33	FB4 - 1969 - 000		1	FLAG, RIGHT DOOR SENSOR	
34	FB4 - 1969 - 000		1	FLAG, RIGHT DOOR SENSOR	
35	FB4 - 1970 - 000		1	RIGHT DOOR, LOWER	
36	FB4 - 5297 - 000		1	COVER, RIGHT REAR	
37	FB4 - 5298 - 000		1	COVER, WASTE TONER	
38	FB4 - 5311 - 000		1	KNOB, DRUM	
39	FB4 - 7478 - 000		1	COVER, LATCH, RIGHT	
40	FB4 - 7882 - 000		1	COVER, LATCH BLANKING	
41	FB4 - 7883 - 000		1	COVER, HANDLE	
42	FB5 - 1837 - 000		1	FILTER, AIR	
43	FB5 - 2512 - 000		2	SHEET, VERTICAL PATH	
44	FB5 - 6878 - 000		1	EMBLEM	iR8500 TYPE 100/220/240V
	FB5 - 6879 - 000		1	EMBLEM	iR8500 TYPE 208V
	FB6 - 4254 - 000		1	EMBLEM	iR8500P TYPE
	FB6 - 2888 - 000		1	EMBLEM	iR7200 TYPE 100/220/240V
	FB6 - 2889 - 000		1	EMBLEM	iR7200 TYPE 208V
	FB6 - 4255 - 000		1	EMBLEM	iR7200P TYPE
45	FB5 - 6916 - 000		2	COVER, BLANKING	
46	FB5 - 6988 - 000		1	COVER, RIGHT LOWER, INSIDE	
47	FB5 - 6989 - 000		1	COVER, LEFT LOWER, INSIDE	
48	FB5 - 6991 - 000		1	COVER, RIGHT UPPER	
49	FB5 - 6992 - 000		1	COVER, LEFT UPPER	
50	FB5 - 7000 - 000		1	COVER, REAR	
51	FB5 - 7001 - 000		1	COVER, LEFT UPPER, SMALL	iR8500/8500P TYPE
52	FB6 - 0776 - 000		1	FILTER, OZONE, DRUM	
53	FB6 - 0777 - 000		1	FILTER, OZONE, FIXING	
54	FF5 - 5593 - 030		1	PLATE, POCKET, RIGHT	iR8500/8500P TYPE

FIGURE & KEY NO.	PART NUMBER	RANK	QTY	DESCRIPTION	SERIAL NUMBER / REMARKS
100 - 55	FF5 - 5594 - 030		1	PLATE, POCKET, LEFT 2	iR8500/8500P TYPE
56	FF5 - 7942 - 000		1	DUCT, DRUM, 3	
57	FF5 - 7943 - 000		1	DUCT, FIXING, 3	
58	FF6 - 1037 - 000		1	PANEL, FRONT	
58 A	FB5 - 6996 - 000		1	PLATE, FRONT COVER	
59	FF6 - 1038 - 000		1	DUCT, FRONT COVER	
60	FF6 - 1067 - 000		1	PANEL, SYSTEM CONNECTOR	
61	FF6 - 1068 - 000		1	COVER, REAR UPPER	iR8500/8500P TYPE
	FB5 - 7545 - 000		1	COVER, REAR, 2	iR7200/7200P TYPE
62	FF6 - 1996 - 000		1	GLASS, COPYBOARD	iR8500/8500P TYPE AB SIZE
	FF6 - 1998 - 000		1	GLASS, COPYBOARD	iR8500/8500P TYPE A/INCH SIZE
	FF6 - 1997 - 000		1	GLASS, COPYBOARD	iR8500/8500P TYPE A SIZE
	FF6 - 1999 - 000		1	GLASS, COPYBOARD	iR8500/8500P TYPE AB/INCH SIZE
62 A	FS7 - 8317 - 000		1	PLATE, LENGTH INDEX	iR8500/8500P TYPE AB SIZE
	FS7 - 8319 - 000		1	PLATE, LENGTH INDEX	iR8500/8500P TYPE A/INCH SIZE
	FS7 - 8318 - 000		1	PLATE, LENGTH INDEX	iR8500/8500P TYPE A SIZE
	FS7 - 8320 - 000		1	PLATE, LENGTH INDEX	iR8500/8500P TYPE AB/INCH SIZE
62 B	FB3 - 9907 - 000		1	PLATE, GROUNDING	iR8500/8500P TYPE
63	FF6 - 2000 - 000		1	SUPPORT, GLASS, LEFT	iR8500/8500P TYPE AB SIZE
	FF6 - 2002 - 000		1	SUPPORT, GLASS, LEFT	iR8500/8500P TYPE A/INCH SIZE
	FF6 - 2001 - 000		1	SUPPORT, GLASS, LEFT	iR8500/8500P TYPE A SIZE
	FF6 - 2003 - 000		1	SUPPORT, GLASS, LEFT	iR8500/8500P TYPE AB/INCH SIZE
63 A	FS7 - 8321 - 000		1	PLATE, SIZE INDEX	iR8500/8500P TYPE AB SIZE
	FS7 - 8323 - 000		1	PLATE, SIZE INDEX	iR8500/8500P TYPE A/INCH SIZE
	FS7 - 8322 - 000		1	PLATE, SIZE INDEX	iR8500/8500P TYPE A SIZE
	FS7 - 8324 - 000		1	PLATE, SIZE INDEX	iR8500/8500P TYPE AB/INCH SIZE
64	FF6 - 2004 - 000		1	PANEL, RIGHT UPPER, CENTER	iR7200/7200P TYPE
65	FF9 - 1901 - 000		1	LEFT PANEL, LOWER	
66	FS5 - 2921 - 000		6	SPRING, COMPRESSION	
67	FS5 - 2921 - 000		2	SPRING, COMPRESSION	

FIGURE & KEY NO.	PART NUMBER	RANK	QTY	DESCRIPTION	SERIAL NUMBER / REMARKS
100 - 68	FS5 - 2922 - 000		6	SPRING, COMPRESSION	
69	FS5 - 2922 - 000		4	SPRING, COMPRESSION	
70	FS6 - 2826 - 000		1	SPRING, COMPRESSION	
71	FS6 - 2826 - 000		1	SPRING, COMPRESSION	
72	FS6 - 8823 - 000		1	LABEL, CLEANING INDICATE	iR8500 100V iR8500P TYPE
73	FS6 - 8992 - 000		1	LABEL, TONER	208V
74	FS8 - 8194 - 000		3	LABEL, "WARNING CONNECTOR"	208V
75	XA9 - 0605 - 000		21	SCREW,M4X8	
76	XA9 - 0605 - 000		15	SCREW,M4X8	
77	XA9 - 0605 - 000		7	SCREW,M4X8	
78	XA9 - 0605 - 000		1	SCREW,M4X8	iR7200/7200P TYPE
79	XA9 - 0615 - 000		8	SCREW,M4X8	
80	XA9 - 0629 - 000		13	SCREW,RS,M4X8	
81	XA9 - 0629 - 000		1	SCREW,RS,M4X8	
82	XA9 - 0629 - 000		1	SCREW,RS,M4X8	
83	XA9 - 0643 - 000		AR	SCREW,RS,M4X10	
84	XA9 - 0721 - 000		2	SCREW,RS,M4X10	
501	XB1 - 2400 - 606		1	SCREW,MACH.,TRUSS HEAD,M4X6	
502	XB3 - 6400 - 800		2	SCREW,RS,M4X8	iR7200/7200P TYPE
503	XD2 - 2300 - 402		2	RING,TOOTHED LOCK	iR8500/8500P TYPE

FIGURE 101 MACHINE FRONT PLATE

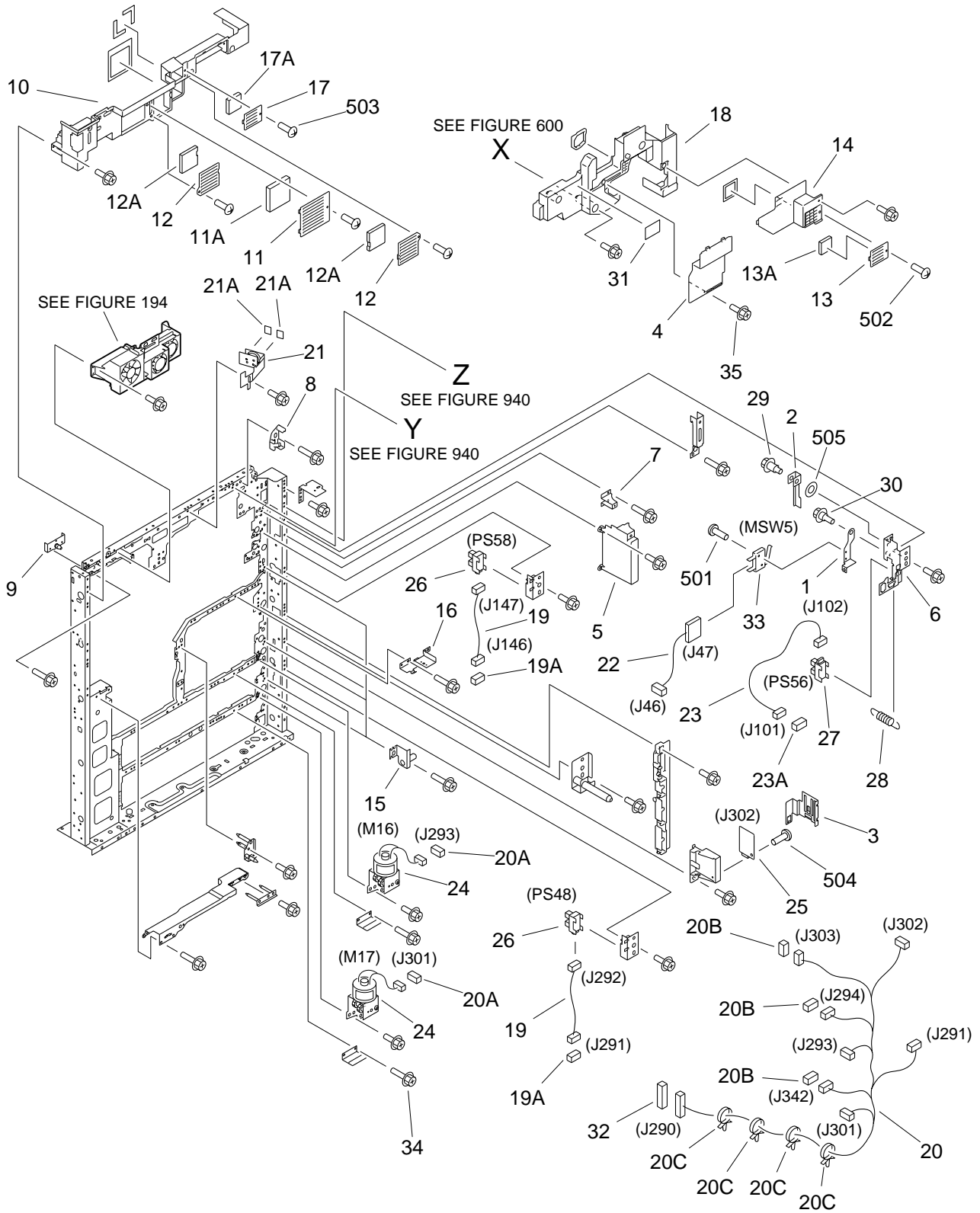


FIGURE & KEY NO.	PART NUMBER	RANK	QTY	DESCRIPTION	SERIAL NUMBER / REMARKS
101 -	NPN		RF	MACHINE FRONT PLATE	
1	FB2 - 7559 - 000		1	MOUNT, SWITCH	
2	FB2 - 7560 - 000		1	COVER, SWITCH	
3	FB2 - 8345 - 000		1	PLATE, GROUNDING	
4	FB4 - 1385 - 020		1	COVER, INTERNAL, PRIMARY	
5	FB4 - 1386 - 000		1	COVER, INTERNAL, RIGHT LOWER	
6	FB4 - 1430 - 000		1	HOLDER, DOOR SENSOR	
7	FB4 - 5257 - 000		1	PLATE, TAPE	
8	FB5 - 0532 - 000		1	GUIDE, POTENTIAL CONTROL CABLE	
9	FF5 - 7658 - 000		1	PLATE, POSITIONING, FIXING	
10	FF5 - 7661 - 020		1	COVER, INTERNAL, UPPER	
11	FF5 - 7662 - 000		1	COVER, FILTER	
11 A	FB4 - 1409 - 000		1	FILTER, AIR	
12	FF5 - 7663 - 000		2	COVER, FILTER	
12 A	FB4 - 1408 - 000		1	FILTER, AIR	
13	FF5 - 7664 - 000		1	COVER, FILTER	
13 A	FB4 - 1407 - 000		1	FILTER, AIR	
14	FF5 - 7882 - 020		1	COVER, INTERNAL, PRE-TRANSFER	
15	FF5 - 8139 - 000		3	PLATE, POSITIONING, FRONT	
16	FF5 - 8152 - 000		1	PLATE, LOCK, RIGHT	
17	FF5 - 9547 - 000		1	COVER, FILTER	
17 A	FB5 - 2594 - 000		1	FILTER, AIR	
18	FF6 - 1336 - 000		1	COVER, INTERNAL, AP KIT	
19	FG6 - 1892 - 000		2	CABLE, RIGHT DOOR OPEN/CLOSE	J146,147 J291,292
19 A	VS1 - 5057 - 004		2	CONNECTOR, SNAP TIGHT	J146,291
20	FG6 - 1901 - 000		1	CABLE, MACHINE FRONT LOWER	J290,291,293,294 J301,302,303,342
20 A	VS1 - 5057 - 002		2	CONNECTOR, SNAP TIGHT	J293,301
20 B	VS1 - 5057 - 003		3	CONNECTOR, SNAP TIGHT	J294,303,342
20 C	WT2 - 5565 - 000		4	CLAMP, CABLE	
21	FG6 - 2023 - 000		1	BEAM DETECT SENSOR PCB ASS'Y	

FIGURE & KEY NO.	PART NUMBER	RANK	QTY	DESCRIPTION	SERIAL NUMBER / REMARKS
101 - 21 A	FB4 - 3118 - 000		2	SHEET, LIGHT BLOCKING	
22	FG6 - 2328 - 000		1	CABLE, MULTI DOOR INTERLOCK	J46,47
23	FG6 - 2330 - 000		1	CABLE, MULTI DOOR, CONNECTING	J101,102
23 A	VS1 - 5057 - 003		1	CONNECTOR, SNAP TIGHT	J101
24	FH6 - 1441 - 000		2	MOTOR, DC 7.2W	M16,17 J293,301
25	FH7 - 7342 - 000		1	SENSOR UNIT, HUMIDITY	J302
26	FH7 - 7462 - 000		2	PHOTO-INTERRUPTER	PS58,48 J147,292
27	FH7 - 7462 - 000		1	PHOTO-INTERRUPTER	PS56 J102
28	FS5 - 2958 - 000		1	SPRING, TENSION	
29	FS5 - 9166 - 000		1	SCREW,STEPPED,M4	
30	FS5 - 9216 - 000		1	SCREW,RS STEPPED,M4	
31	FS6 - 8821 - 000		1	LABEL, "WARNING LASER"	100/208V
	FS6 - 8822 - 000		1	LABEL, "WARNING LASER"	220/240V
32	VS1 - 6319 - 022		1	CONNECTOR, SNAP TIGHT	
33	WC4 - 5153 - 000		1	MICRO SWITCH	MSW5 J47
34	XA9 - 0630 - 000		20	SCREW,RS,M4X10	
35	XA9 - 0643 - 000		AR	SCREW,RS,M4X10	
501	XB1 - 2230 - 809		2	SCREW,MACH.,TRUSS HEAD,M2.3X8	
502	XB1 - 2400 - 606		1	SCREW,MACH.,TRUSS HEAD,M4X6	
503	XB1 - 2400 - 806		4	SCREW,MACH.,TRUSS HEAD,M4X8	
504	XB4 - 7300 - 609		1	SCREW,TAPPING,TRUSS HEAD,M3X6	
505	XD1 - 1104 - 135		1	SHIM	

FIGURE 102 INTERNAL COMPONENTS 1

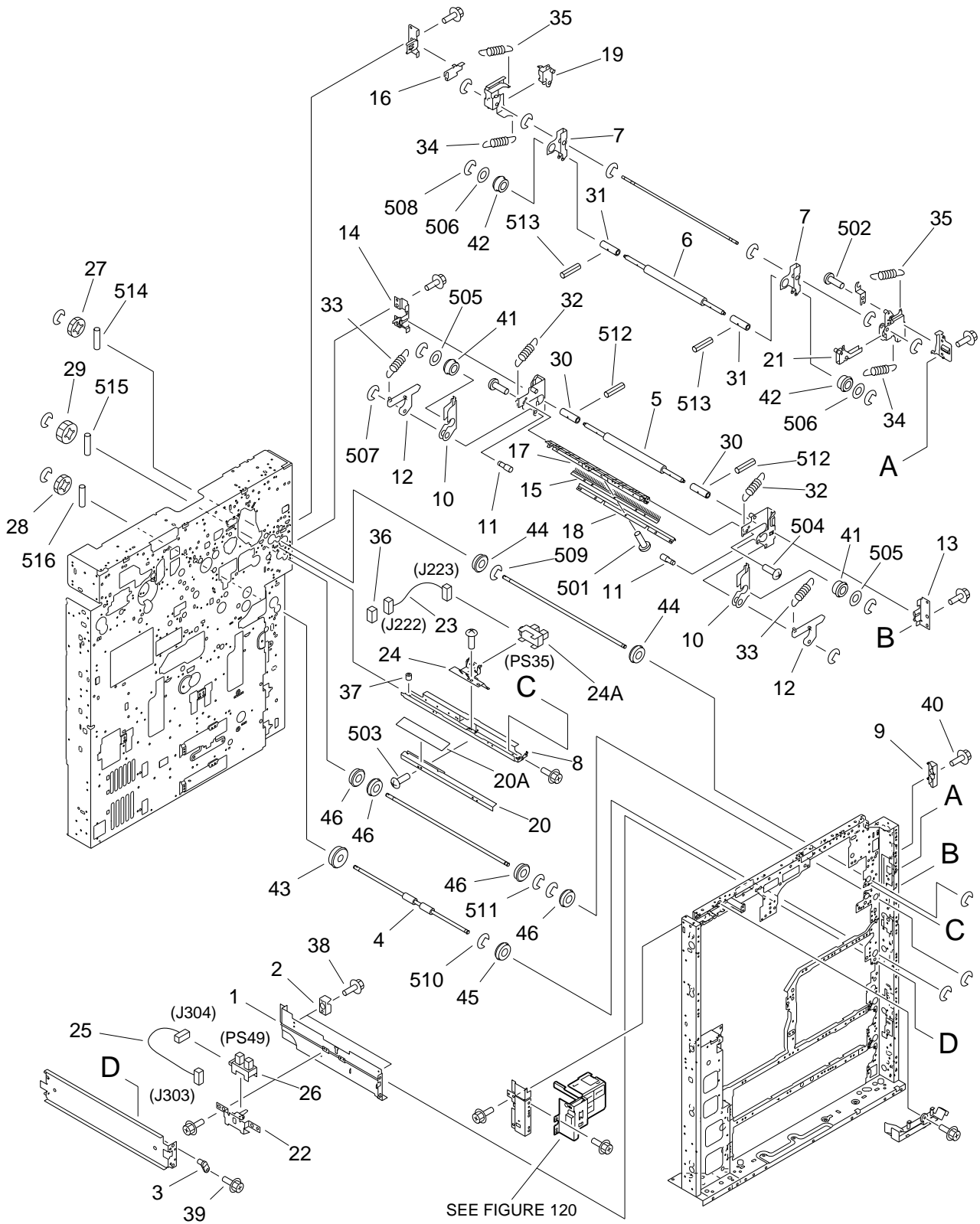


FIGURE & KEY NO.	PART NUMBER	RANK	QTY	DESCRIPTION	SERIAL NUMBER / REMARKS
102 -	NPN		RF	INTERNAL COMPONENTS 1	
1	FB2 - 8002 - 030		1	GUIDE, VERTICAL PATH, MIDDLE	
2	FB2 - 8003 - 000		2	GUIDE, SWING	
3	FB2 - 8010 - 000		1	PLATE, PIN	
4	FB4 - 1350 - 000		1	ROLLER, VERTICAL PATH	
5	FB4 - 3731 - 000		1	ROLLER, FOAM RUBBER	
6	FB4 - 3731 - 000		1	ROLLER, FOAM RUBBER	
7	FB4 - 3732 - 000		2	ARM, PRESSURE	
8	FB4 - 3741 - 020		1	GUIDE, CURL	
9	FB4 - 3773 - 000		1	HOOK, MULTI DOOR	
10	FB4 - 3814 - 000		2	ARM, PRESSURE	
11	FB4 - 3816 - 000		2	SHAFT, PRESSURE	
12	FB4 - 3817 - 000		2	ARM, PRESSURE RELEASE	
13	FB4 - 3822 - 000		1	PLATE, HOLDER, FRONT	
14	FB4 - 3823 - 000		1	PLATE, HOLDER, REAR	
15	FB4 - 5093 - 020		1	PLATE, HORIZON. PATH GROUNDING	
16	FB4 - 7839 - 000		1	PLATE, SHAFT STOP	
17	FB5 - 8722 - 000		1	GUIDE, VERTICAL PATH, 2	
18	FB5 - 8723 - 000		1	GUIDE, VERTICAL PASS	
19	FF5 - 7667 - 000		1	ARM, RELEASE, REAR	
20	FF5 - 8141 - 000		1	GUIDE, DELIVERY	
20 A	FB4 - 3743 - 000		1	SHEET, GUIDE	
21	FF5 - 8147 - 000		1	ARM, RELEASE, FRONT	
22	FF5 - 8194 - 000		1	MOUNT, PAPER SENSOR	
23	FG6 - 1867 - 000		1	CABLE, MULTI CURL INLET SENSOR	J222,223
24	FG6 - 2305 - 000		1	CURL SENSOR UNIT	
24 A	FH7 - 7462 - 000		1	PHOTO-INTERRUPTER	PS35 J223
25	FG6 - 2331 - 000		1	CABLE, PATH SENSOR CONNECTING	J303,304
26	FH7 - 7462 - 000		1	PHOTO-INTERRUPTER	PS49 J304
27	FS2 - 0566 - 000		1	GEAR, 18T	

FIGURE & KEY NO.	PART NUMBER	RANK	QTY	DESCRIPTION	SERIAL NUMBER / REMARKS
102 - 28	FS2 - 0566 - 000		1	GEAR, 18T	
29	FS5 - 0514 - 000		1	GEAR, 20T	
30	FS5 - 6582 - 000		2	COLLAR	
31	FS5 - 6582 - 000		2	COLLAR	
32	FS6 - 2825 - 000		2	SPRING, TENSION	
33	FS6 - 2828 - 000		2	SPRING, TENSION	
34	FS6 - 2888 - 000		2	SPRING, TENSION	
35	FS6 - 2889 - 000		2	SPRING, TENSION	
36	VS1 - 5057 - 003		1	CONNECTOR, SNAP TIGHT	J222
37	WT2 - 0184 - 000		1	BUSHING	
38	XA9 - 0628 - 000		4	SCREW,RS,M4X8	
39	XA9 - 0628 - 000		1	SCREW,RS,M4X8	
40	XA9 - 0643 - 000	AR		SCREW,RS,M4X10	
41	XG3 - 6012 - 405		2	BEARING, BALL	
42	XG3 - 6012 - 405		2	BEARING, BALL	
43	XG9 - 0249 - 000		1	BEARING, BALL	
44	XG9 - 0250 - 000		2	BEARING, BALL	
45	XG9 - 0250 - 000		1	BEARING, BALL	
46	XG9 - 0250 - 000		4	BEARING, BALL	
501	XB1 - 2300 - 609		5	SCREW,MACH.,TRUSS HEAD,M3X6	
502	XB1 - 2300 - 609		1	SCREW,MACH.,TRUSS HEAD,M3X6	
503	XB1 - 2300 - 609		3	SCREW,MACH.,TRUSS HEAD,M3X6	
504	XB1 - 2400 - 609		2	SCREW,MACH.,TRUSS HEAD,M4X6	
505	XD1 - 1106 - 218		2	SHIM	
506	XD1 - 1106 - 223		2	SHIM	
507	XD2 - 1100 - 502		4	RING,E	
508	XD2 - 1100 - 502		8	RING,E	
509	XD2 - 1100 - 642		3	RING,E	
510	XD2 - 1100 - 642		3	RING,E	
511	XD2 - 1100 - 642		4	RING,E	

FIGURE & KEY NO.	PART NUMBER	R A N K	Q' T Y	DESCRIPTION	SERIAL NUMBER / REMARKS
102 - 512	XD3 - 1200 - 142		2	PIN,SPRING	
513	XD3 - 1200 - 142		2	PIN,SPRING	
514	XD3 - 2200 - 122		1	PIN,DOWEL	
515	XD3 - 2200 - 122		1	PIN,DOWEL	
516	XD3 - 2200 - 122		1	PIN,DOWEL	

FIGURE 103 INTERNAL COMPONENTS 2

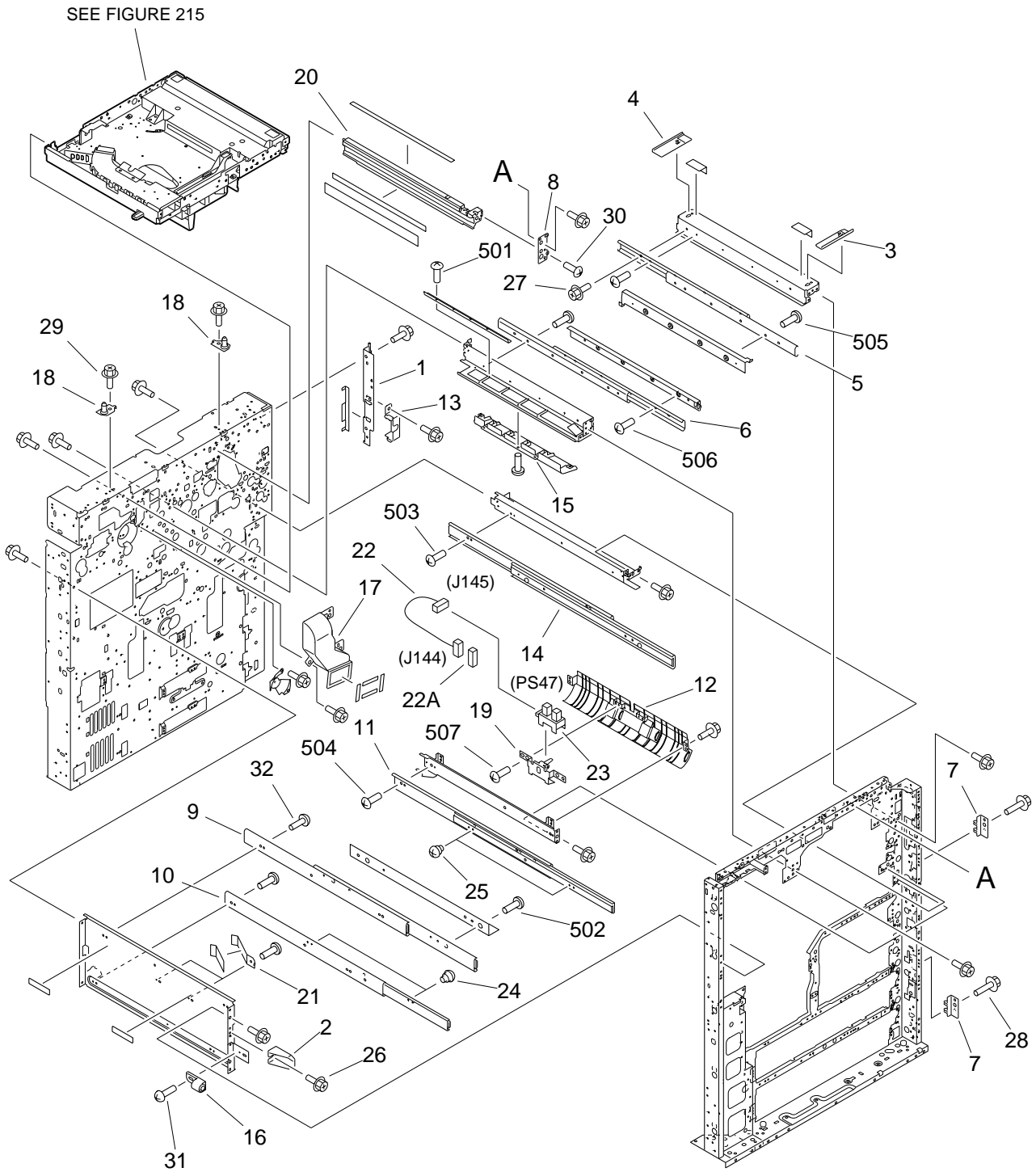


FIGURE & KEY NO.	PART NUMBER	RANK	QTY	DESCRIPTION	SERIAL NUMBER / REMARKS
103 -	NPN		RF	INTERNAL COMPONENTS 2	
1	FA9 - 3864 - 000		1	HINGE, MULTI DOOR	
2	FB2 - 8041 - 000		1	BLOCK, CLOSE	
3	FB4 - 1410 - 000		1	RAIL, SLIDE, FRONT	
4	FB4 - 1411 - 000		1	RAIL, SLIDE, REAR	
5	FB4 - 1418 - 000		1	RAIL, SLIDE	
6	FB4 - 1418 - 000		1	RAIL, SLIDE	
7	FB4 - 1421 - 000		2	MOUNT, LATCH	
8	FB4 - 1957 - 000		1	PLATE, RAIL POSITIONING	
9	FB4 - 2041 - 000		1	RAIL, SLIDE, FIXING/FEEDER	
10	FB4 - 2042 - 000		1	RAIL, SLIDE, DUPLEXING	
11	FB4 - 2042 - 000		1	RAIL, SLIDE, DUPLEXING	
12	FB4 - 3811 - 000		1	GUIDE, VERTICAL PATH	
13	FB4 - 7833 - 000		1	COVER, CONNECTOR, MULTI	
14	FB4 - 7845 - 000		1	RAIL, SLIDE, FIXING/FEEDER	
15	FB5 - 6862 - 000		1	DUCT, AIR BLOW	
16	FF5 - 2930 - 000		1	MOUNT, MAGNET	
17	FF5 - 7654 - 000		1	DUCT, FEEDER JOINT	
18	FF5 - 7655 - 000		2	PLATE, LENS MOUNT POSITIONING	
19	FF5 - 8194 - 000		1	MOUNT, PAPER SENSOR	
20	FF5 - 8661 - 000		1	RAIL, PRIMARY, RIGHT	
21	FF5 - 8895 - 030		2	SPRING, LEAF	
22	FG6 - 1896 - 000		1	CABLE, PATH SENSOR CONNECTING	J144,145
22 A	VS1 - 5057 - 003		1	CONNECTOR, SNAP TIGHT	J144
23	FH7 - 7462 - 000		1	PHOTO-INTERRUPTER	PS47 J145
24	FS2 - 9343 - 000		2	SCREW, STEPPED, M4	
25	FS2 - 9343 - 000		2	SCREW, STEPPED, M4	
26	XA9 - 0628 - 000		2	SCREW, RS, M4X8	
27	XA9 - 0628 - 000		2	SCREW, RS, M4X8	
28	XA9 - 0630 - 000		2	SCREW, RS, M4X10	

FIGURE & KEY NO.	PART NUMBER	RANK	QTY	DESCRIPTION	SERIAL NUMBER / REMARKS
103 - 29	XA9 - 0643 - 000		AR	SCREW,RS,M4X10	
30	XA9 - 0915 - 000		1	SCREW,M3X6	
31	XA9 - 0924 - 000		1	SCREW,W/WASHER,M3X8	
32	XA9 - 1331 - 000		3	SCREW,MACH.,TRUSS HEAD,M4X4	
501	XB1 - 2300 - 609		5	SCREW,MACH.,TRUSS HEAD,M3X6	
502	XB1 - 2400 - 409		6	SCREW,MACH.,TRUSS HEAD,M4X4	
503	XB1 - 2400 - 409		3	SCREW,MACH.,TRUSS HEAD,M4X4	
504	XB1 - 2400 - 409		3	SCREW,MACH.,TRUSS HEAD,M4X4	
505	XB1 - 2400 - 609		8	SCREW,MACH.,TRUSS HEAD,M4X6	
506	XB1 - 2400 - 609		8	SCREW,MACH.,TRUSS HEAD,M4X6	
507	XB1 - 2400 - 609		2	SCREW,MACH.,TRUSS HEAD,M4X6	

FIGURE 104 INTERNAL COMPONENTS 3

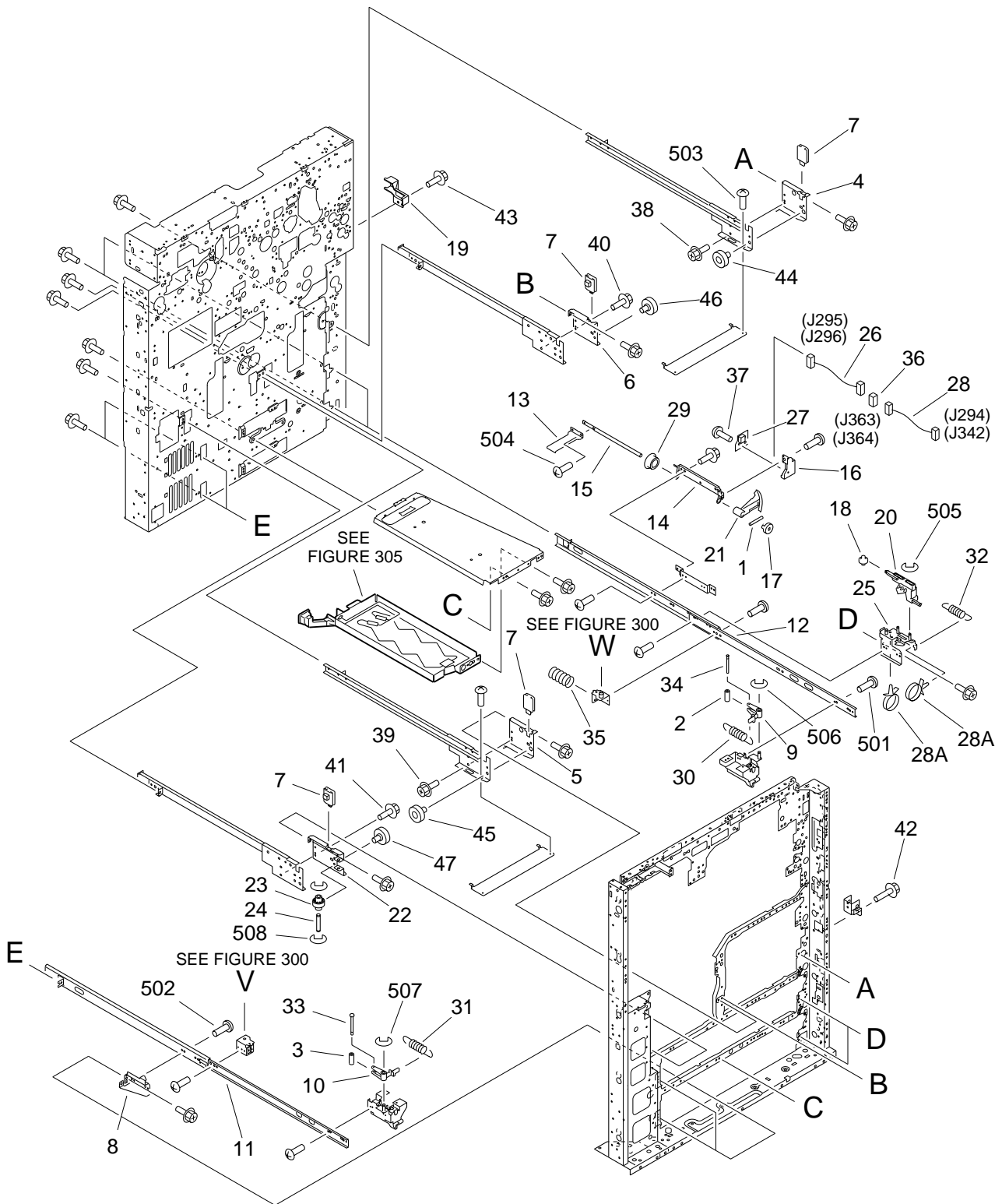


FIGURE & KEY NO.	PART NUMBER	RANK	QTY	DESCRIPTION	SERIAL NUMBER / REMARKS
104 -	NPN		RF	INTERNAL COMPONENTS 3	
1	FA5 - 2924 - 000		2	PIN,DOWEL	
2	FA9 - 1969 - 000		1	ROLLER, TRANSFER	
3	FA9 - 1969 - 000		2	ROLLER, TRANSFER	
4	FB2 - 7887 - 040		1	SUPPORT, RIGHT RAIL	
5	FB2 - 7887 - 040		1	SUPPORT, RIGHT RAIL	
6	FB2 - 7888 - 030		1	SUPPORT, LEFT RAIL	
7	FB2 - 8033 - 020		4	BLOCK, DECK RAIL STOP	
8	FB3 - 9345 - 000		2	SUPPORT, RAIL, LEFT FRONT	
9	FB3 - 9356 - 000		1	LEVER, CASSETTE, RIGHT	
10	FB4 - 0650 - 000		2	LEVER, CASSETTE, LEFT	
11	FB4 - 1341 - 000		2	RAIL, SLIDE, LEFT	
12	FB4 - 1342 - 000		1	RAIL, SLIDE, RIGHT	
13	FB4 - 1355 - 000		2	PLATE, LIFTING	
14	FB4 - 2019 - 000		2	PLATE, GEAR SUPPORT	
15	FB4 - 2020 - 000		2	SHAFT, CASSETTE LIFT	
16	FB4 - 2023 - 000		2	HOLDER, PAPER SENSOR PCB	
17	FB4 - 2024 - 000		2	COUPLING	
18	FB4 - 5335 - 000		2	ROLLER, CAM	
19	FB4 - 7834 - 000		1	COVER, CONNECTOR, CURL	
20	FB5 - 3351 - 000		1	BUTTON	
21	FB5 - 8735 - 000		1	GEAR, 16T	
22	FB6 - 2726 - 000		1	SUPPORT, LEFT RAIL	
23	FB6 - 2727 - 000		1	ROLLER, DECK	
24	FB6 - 2728 - 000		1	SHAFT, ROLLER	
25	FF5 - 9892 - 000		1	SUPPORT, RAIL, RIGHT FRONT	
26	FG6 - 1906 - 000		2	CABLE, CASSETTE PAPER SENSOR	J295,363 J296,364
27	FG6 - 1941 - 000		2	PAPER SENSOR PCB ASSEMBLY	
28	FG6 - 2334 - 000		2	CABLE, CASSETTE PAPER SENSOR	J294,363 J342,364
28 A	WT2 - 5178 - 000		2	CLIP, CABLE	

FIGURE & KEY NO.	PART NUMBER	RANK	QTY	DESCRIPTION	SERIAL NUMBER / REMARKS
104 - 29	FS5 - 1787 - 000		2	BUSHING	
30	FS6 - 2667 - 000		1	SPRING, TENSION	
31	FS6 - 2667 - 000		2	SPRING, TENSION	
32	FS6 - 2847 - 000		1	SPRING, TENSION	
33	FS6 - 4243 - 000		1	SHAFT, ROLLER	
34	FS6 - 4243 - 000		2	SHAFT, ROLLER	
35	FS7 - 2532 - 000		1	SPRING, COMPRESSION	
36	VS1 - 5057 - 003		2	CONNECTOR, SNAP TIGHT	J363,364
37	XA9 - 0596 - 000		1	SCREW,P,M3X6	
38	XA9 - 0628 - 000		1	SCREW,RS,M4X8	
39	XA9 - 0628 - 000		1	SCREW,RS,M4X8	
40	XA9 - 0628 - 000		1	SCREW,RS,M4X8	
41	XA9 - 0628 - 000		1	SCREW,RS,M4X8	
42	XA9 - 0630 - 000		1	SCREW,RS,M4X10	
43	XA9 - 0643 - 000		AR	SCREW,RS,M4X10	
44	XG9 - 0224 - 000		1	BEARING	
45	XG9 - 0224 - 000		1	BEARING	
46	XG9 - 0302 - 000		1	BEARING	
47	XG9 - 0302 - 000		1	BEARING	
501	XB1 - 2400 - 409		7	SCREW,MACH.,TRUSS HEAD,M4X4	
502	XB1 - 2400 - 409		10	SCREW,MACH.,TRUSS HEAD,M4X4	
503	XB1 - 2400 - 409		4	SCREW,MACH.,TRUSS HEAD,M4X4	
504	XB1 - 2400 - 609		6	SCREW,MACH.,TRUSS HEAD,M4X6	
505	XD2 - 1100 - 402		2	RING,E	
506	XD2 - 1100 - 502		2	RING,E	
507	XD2 - 1100 - 502		2	RING,E	
508	XD2 - 1100 - 502		2	RING,E	

FIGURE 105 INTERNAL COMPONENTS 4(1/2)

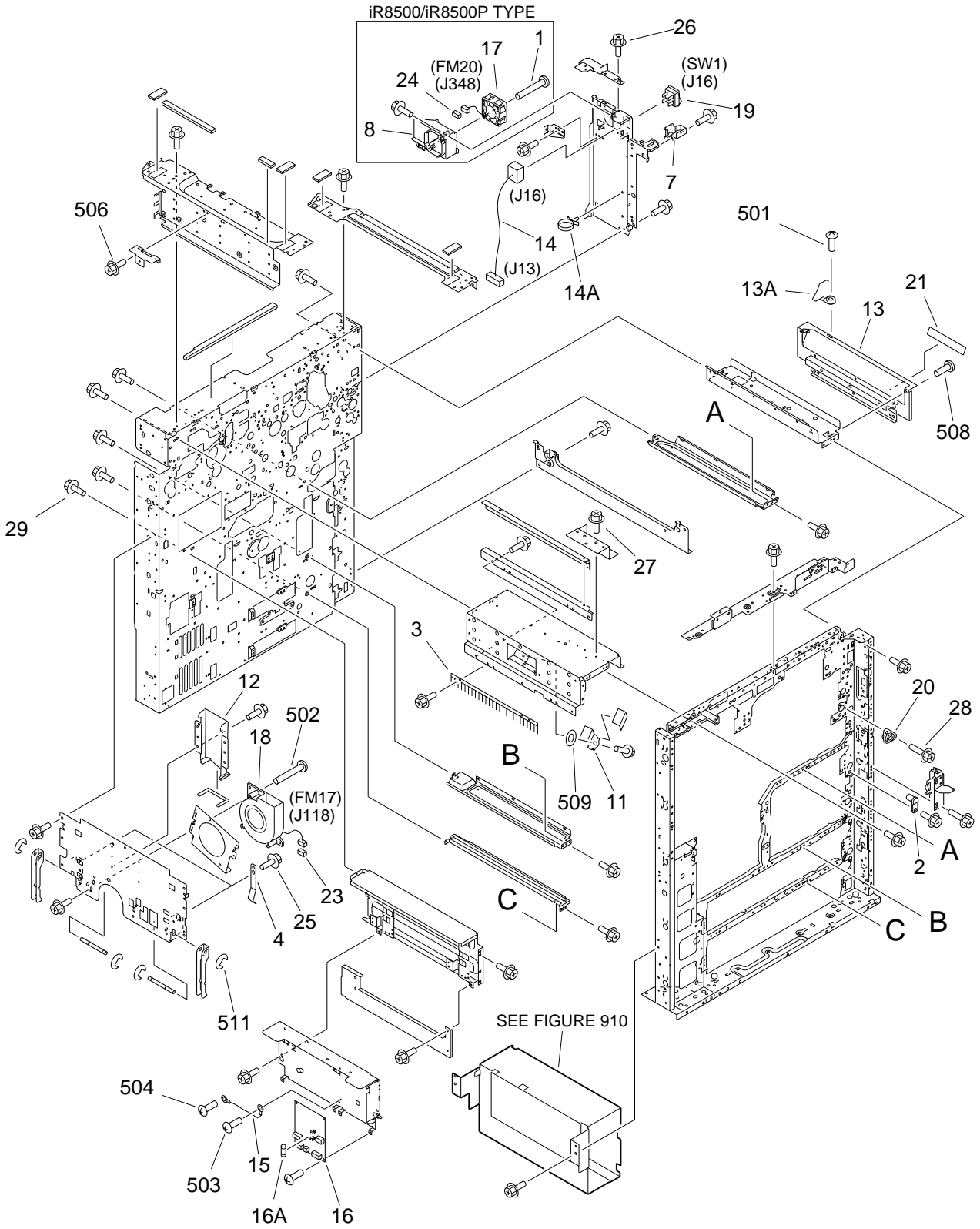


FIGURE 105 INTERNAL COMPONENTS 4(2/2)

iR7200/7200P TYPE

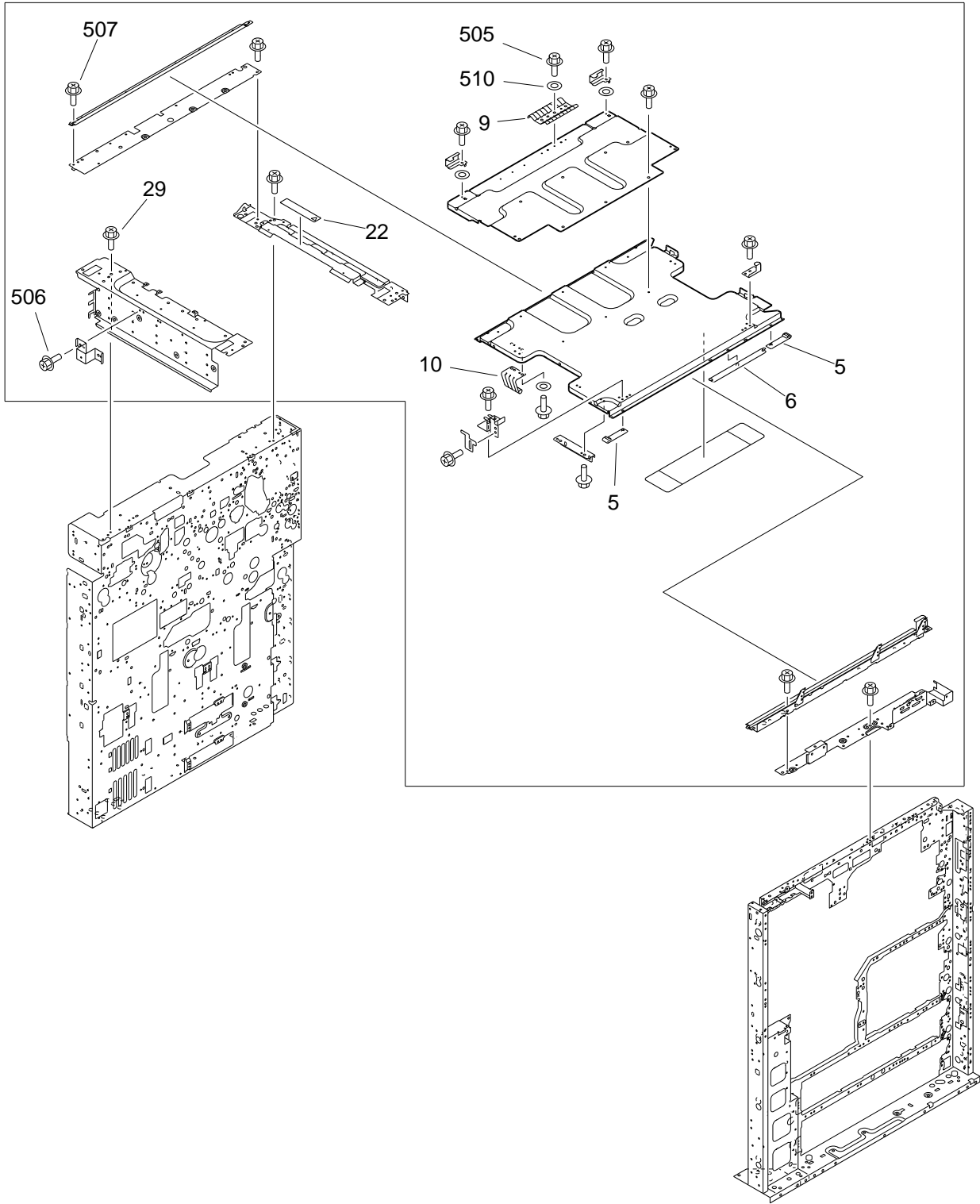


FIGURE & KEY NO.	PART NUMBER	RANK	QTY	DESCRIPTION	SERIAL NUMBER / REMARKS
105 -	NPN		RF	INTERNAL COMPONENTS 4	
1	FA9 - 3622 - 000		2	SCREW,TAPPING, PAN HEAD,M4X35	iR8500/8500P TYPE
2	FB2 - 8010 - 000		1	PLATE, PIN	
3	FB2 - 8248 - 020		1	ELIMINATOR, STATIC CHARGE	
4	FB4 - 9034 - 000		2	SPRING, LEAF	
5	FB5 - 1523 - 000		4	PLATE, SLIDER, EDGE	iR7200/7200P TYPE
6	FB5 - 1524 - 000		2	PLATE, SLIDER, CENTER	iR7200/7200P TYPE
7	FB5 - 1840 - 000		1	COVER, CARTRIDGE CONNECTOR	
8	FB5 - 7048 - 000		1	DUCT, SCANNER MOTOR FAN	iR8500/8500P TYPE
9	FB6 - 2878 - 000		1	SPRING, LEAF, GROUNDING, 1	iR7200/7200P TYPE
10	FB6 - 4200 - 000		1	SPRING, LEAF, GROUNDING, 2	iR7200/7200P TYPE
11	FF5 - 7726 - 000		1	SPRING, LEAF	
12	FF6 - 1062 - 000		1	DUCT, COOLING FAN	
13	FG6 - 1971 - 000		1	DEVELOPING SUPPORT PLATE	
13 A	FB4 - 1869 - 000		1	BLOCK, SHUTTER SLIDE	
14	FG6 - 7208 - 000		1	CABLE, MAIN SWITCH	J13,16
14 A	WT2 - 5565 - 000		5	CLAMP, CABLE	
15	FG6 - 7221 - 000		1	CABLE, GROUNDING	
16	FG6 - 7267 - 000		1	ALL DAY POWER PCB ASSEMBLY	100V
	FG6 - 7268 - 000		1	ALL DAY POWER PCB ASSEMBLY	208/220/240V
16 A	VD7 - 0213 - 001		1	FUSE, 3A 125V	FU1
17	FH6 - 1740 - 000		1	FAN	iR8500/8500P TYPE FM20 J348
18	FH6 - 1877 - 000		1	FAN	FM17 J118
19	FH7 - 6327 - 000		1	SWITCH, POWER SUPPLY	SW1 J16
20	FS5 - 1798 - 000		1	BUSHING	
21	FS6 - 8820 - 000		1	LABEL, "WARNING LASER"	100/208V
	FS5 - 8623 - 000		1	LABEL, "WARNING LASER"	220/240V
22	FS7 - 8325 - 000		1	LABEL, "WARNING LASER", 2	iR7200/7200P TYPE 100/208V
	FS7 - 8326 - 000		1	LABEL, "WARNING LASER", 2	iR7200/7200P TYPE 220/240V
23	VS1 - 5057 - 003		1	CONNECTOR, SNAP TIGHT	J118

FIGURE & KEY NO.	PART NUMBER	RANK	QTY	DESCRIPTION	SERIAL NUMBER / REMARKS
105 - 24	VS1 - 5057 - 004		1	CONNECTOR, SNAP TIGHT	J348
25	XA9 - 0628 - 000		9	SCREW,RS,M4X8	
26	XA9 - 0628 - 000		5	SCREW,RS,M4X8	
27	XA9 - 0628 - 000		5	SCREW,RS,M4X8	
28	XA9 - 0630 - 000		6	SCREW,RS,M4X10	
29	XA9 - 0643 - 000		AR	SCREW,RS,M4X10	
501	XB1 - 2300 - 609		1	SCREW,MACH.,TRUSS HEAD,M3X6	
502	XB1 - 2403 - 509		2	SCREW,MACH.,TRUSS HEAD,M4X35	
503	XB2 - 8401 - 007		5	SCREW,W/WASHER,M4X10	
504	XB2 - 8401 - 007		4	SCREW,W/WASHER,M4X10	
505	XB3 - 6400 - 800		24	SCREW,RS,M4X8	iR7200/7200P TYPE
506	XB3 - 6400 - 805		2	SCREW,RS,M4X8	
507	XB3 - 6400 - 805		6	SCREW,RS,M4X8	iR7200/7200P TYPE
508	XB6 - 7400 - 609		6	SCREW,TP,M4X6	
509	XD1 - 1105 - 239		1	SHIM	
510	XD1 - 1105 - 239		5	SHIM	iR7200/7200P TYPE
511	XD2 - 1100 - 642		4	RING,E	

FIGURE & KEY NO.	PART NUMBER	RANK	QTY	DESCRIPTION	SERIAL NUMBER / REMARKS
106 -	NPN		RF	MACHINE REAR PLATE 1	
1	FB4 - 1354 - 000		1	BELT, DRIVE, PAPER PICK-UP	
2	FB4 - 1750 - 000		1	FLYWHEEL	
3	FB4 - 1753 - 000		1	COLLAR, THRUST STOP	
4	FB4 - 1781 - 000		1	HOLDER, POSITIONING, REAR	
5	FB4 - 1953 - 000		1	BOTTLE, WASTE TONER	
6	FB4 - 9032 - 000		1	COVER, EDGE	
7	FB5 - 2596 - 000		1	SPACER, DRUM SHAFT	
8	FB5 - 6882 - 000		1	SUPPORT, BEARING, REAR	
9	FB5 - 6884 - 000		1	SUPPORT, FLYWHEEL	
10	FG6 - 3569 - 000		1	CABLE, BIAS SEPARATION CLAW	J271,272
11	FG6 - 7201 - 000		1	CABLE, DRUM HEATER CONNECTING	J14,17
11 A	WT2 - 5565 - 000		4	CLAMP, CABLE	
12	FG6 - 7211 - 000		1	CABLE, AC INPUT	J1,2,25,26
13	FH2 - 6807 - 000		1	HOLDER, CONNECTOR	
14	FH2 - 9232 - 000		1	JOINT CONNECTOR UNIT, 1	
15	FH2 - 9233 - 000		1	JOINT CONNECTOR UNIT, 2	
16	FH2 - 9235 - 000		1	JOINT CONNECTOR UNIT, 4	
17	FS5 - 1467 - 020		1	BUSHING, 3	
18	FS7 - 0011 - 000		1	GEAR, 90T	
19	XA9 - 0207 - 000		1	SCREW,M4X12	
20	XA9 - 0207 - 000		2	SCREW,M4X12	
21	XA9 - 0207 - 000		1	SCREW,M4X12	
22	XA9 - 0384 - 000		2	SCREW,TP,M3X8	
23	XA9 - 0628 - 000		5	SCREW,RS,M4X8	
24	XA9 - 0643 - 000		AR	SCREW,RS,M4X10	
25	XA9 - 1090 - 000		3	SCREW,W/WASHER,M5X25	
26	XA9 - 1091 - 000		2	SETSCREW,M4X8	
27	XA9 - 1278 - 000		2	SETSCREW,M6X10	
28	XF9 - 0533 - 000		1	BELT, TIMING	

FIGURE & KEY NO.	PART NUMBER	R A N K	Q' T Y	DESCRIPTION	SERIAL NUMBER / REMARKS
106 - 29	XG9 - 0248 - 000		1	BEARING, BALL, 6004ZZNR*C3	
501	XD2 - 3100 - 202		1	RING,C,EXTERNAL	

FIGURE 107 MACHINE REAR PLATE 2

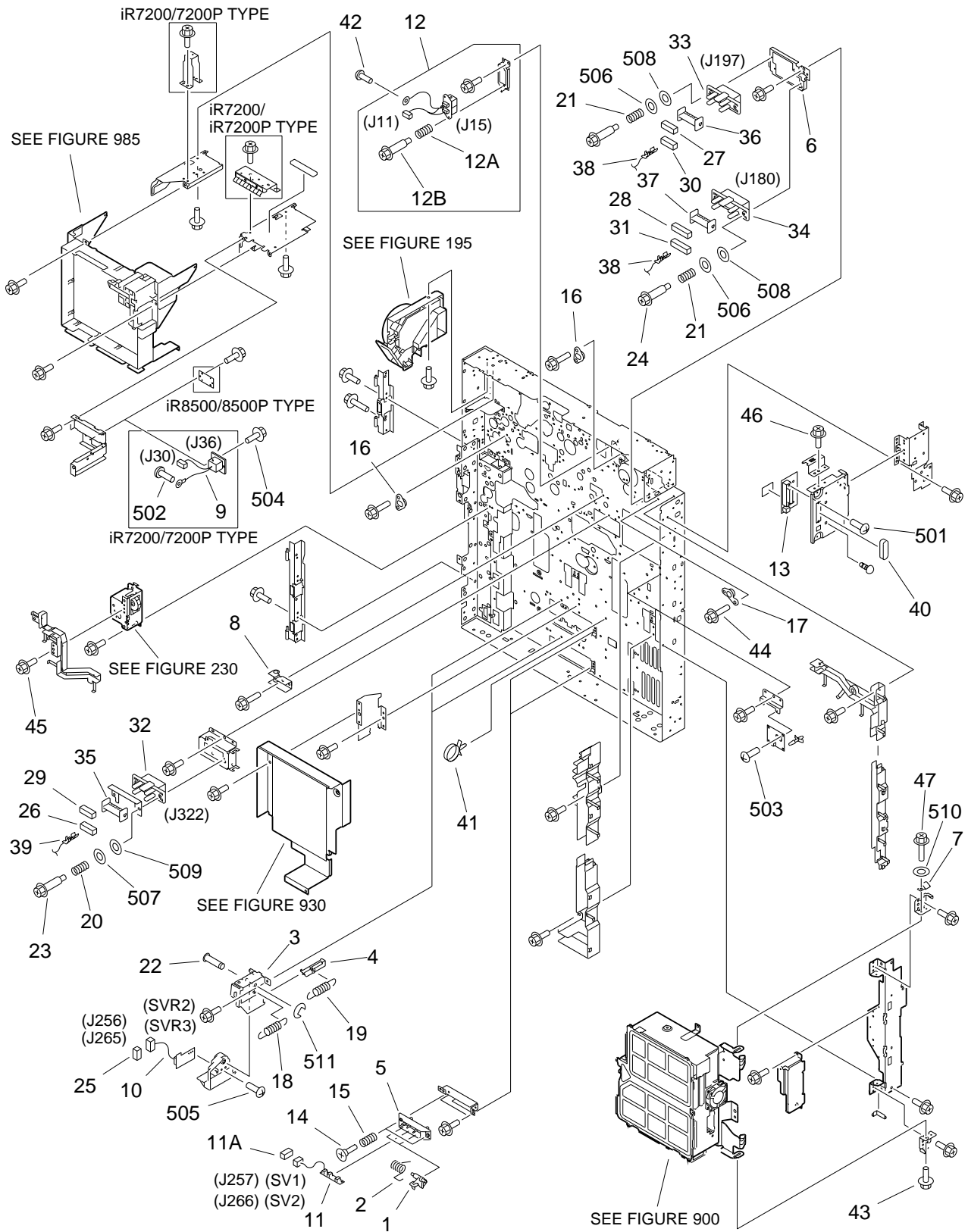


FIGURE & KEY NO.	PART NUMBER	RANK	QTY	DESCRIPTION	SERIAL NUMBER / REMARKS
107 -	NPN		RF	MACHINE REAR PLATE 2	
1	FB1 - 8735 - 000		4	ARM, SENSOR	
2	FB1 - 8737 - 000		4	SPRING, TORSION	
3	FB3 - 9362 - 000		2	MOUNT, VR HOLDER	
4	FB3 - 9363 - 000		2	SHAFT, SLIDE	
5	FB3 - 9364 - 000		2	HOLDER, SWITCH	
6	FB4 - 1447 - 000		1	MOUNT, DC CONNECTOR, 2	
7	FB6 - 0784 - 000		1	SPRING, LEAF, GROUNDING	
8	FF5 - 7665 - 000		1	HOLDER, STOP	
9	FG3 - 2295 - 000		1	CABLE, READER LATTICE	iR7200/7200P TYPE J30,36
10	FG5 - 1957 - 000		2	CASSETTE VR PCB ASSEMBLY	SVR2,3 J256,265
11	FG5 - 8221 - 000		2	CASSETTE SENSOR PCB ASSEMBLY	SV1,2 J257,266
11 A	VS1 - 5057 - 004		2	CONNECTOR, SNAP TIGHT	J257,266
12	FG6 - 1904 - 000		1	CABLE, FIXING DRAWER CONNECT	J11,15
12 A	FS5 - 2964 - 000		2	SPRING, COMPRESSION	
12 B	FS5 - 9282 - 000		2	SCREW, STEPPED	
13	FG6 - 7261 - 000		1	BICENTRO INTERFACE PCB ASS'Y	
14	FS2 - 9327 - 000		4	SCREW, STEPPED, M4	
15	FS3 - 2044 - 000		4	SPRING, COMPRESSION	
16	FS5 - 1468 - 020		2	BUSHING, 2	
17	FS5 - 1804 - 000		1	BUSHING	
18	FS5 - 2322 - 000		2	SPRING, TENSION	
19	FS5 - 2323 - 020		2	SPRING, TENSION	
20	FS5 - 2965 - 000		2	SPRING, COMPRESSION	
21	FS5 - 2965 - 000		4	SPRING, COMPRESSION	
22	FS5 - 7128 - 000		2	SHAFT	
23	FS5 - 9282 - 000		2	SCREW, STEPPED	
24	FS5 - 9282 - 000		4	SCREW, STEPPED	
25	VS1 - 5057 - 003		2	CONNECTOR, SNAP TIGHT	J256,265
26	VS1 - 6313 - 012		1	CONNECTOR, 12P, FEMALE	J322

FIGURE & KEY NO.	PART NUMBER	RANK	QTY	DESCRIPTION	SERIAL NUMBER / REMARKS
107 - 27	VS1 - 6313 - 013		1	CONNECTOR, 13P, FEMALE	J197
28	VS1 - 6313 - 020		1	CONNECTOR, 20P, FEMALE	J180
29	VS1 - 6314 - 012		1	CONNECTOR, 12P, FEMALE	J322
30	VS1 - 6314 - 013		1	CONNECTOR, 13P, FEMALE	J197
31	VS1 - 6314 - 020		1	CONNECTOR, 20P, FEMALE	J180
32	VS1 - 6328 - 024		1	CONNECTOR, 24P, FEMALE	J322
33	VS1 - 6328 - 026		1	CONNECTOR, 26P, FEMALE	J197
34	VS1 - 6328 - 040		1	CONNECTOR, 40P, FEMALE	J180
35	VT2 - 5161 - 024		1	HOLDER, CONNECTOR, 24P	J322
36	VT2 - 5161 - 026		1	HOLDER, CONNECTOR, 26P	J197
37	VT2 - 5161 - 040		1	HOLDER, CONNECTOR, 40P	J180
38	WS3 - 5607 - 000		4	SOCKET CONTACT, 20-24AWG	J322
39	WS3 - 5607 - 000		2	SOCKET CONTACT, 20-24AWG	J180
40	WT2 - 5546 - 000		1	COVER, DUST	
41	WT2 - 5565 - 000		2	CLAMP, CABLE	
42	XA9 - 0265 - 000		1	SCREW,W/WASHER,TRUSS HEAD	
43	XA9 - 0629 - 000		3	SCREW,RS,M4X8	
44	XA9 - 0630 - 000		10	SCREW,RS,M4X10	
45	XA9 - 0643 - 000		AR	SCREW,RS,M4X10	
46	XA9 - 0643 - 000		1	SCREW,RS,M4X10	iR8500/8500P TYPE
47	XA9 - 0774 - 000		1	SCREW,RS,M4X16	
501	XB1 - 2300 - 506		2	SCREW,MACH.,TRUSS HEAD,M3X5	
502	XB1 - 2300 - 607		2	SCREW,MACH.,TRUSS HEAD,M3X6	iR7200/7200P TYPE
503	XB1 - 2400 - 607		2	SCREW,MACH.,TRUSS HEAD,M4X6	
504	XB3 - 6300 - 800		2	SCREW,RS,M3X8	
505	XB4 - 7400 - 809		2	SCREW,TAPPING,TRUSS HEAD,M4X8	
506	XD1 - 1103 - 633		2	SHIM	
507	XD1 - 1103 - 633		4	SHIM	
508	XD1 - 1104 - 133		2	SHIM	
509	XD1 - 1104 - 133		4	SHIM	

FIGURE & KEY NO.	PART NUMBER	R A N K	Q' T Y	DESCRIPTION	SERIAL NUMBER / REMARKS
107 - 510	XD1 - 1106 - 235		1	SHIM	
511	XD2 - 1100 - 502		2	RING,E	

FIGURE 108 MACHINE BOTTOM PLATE

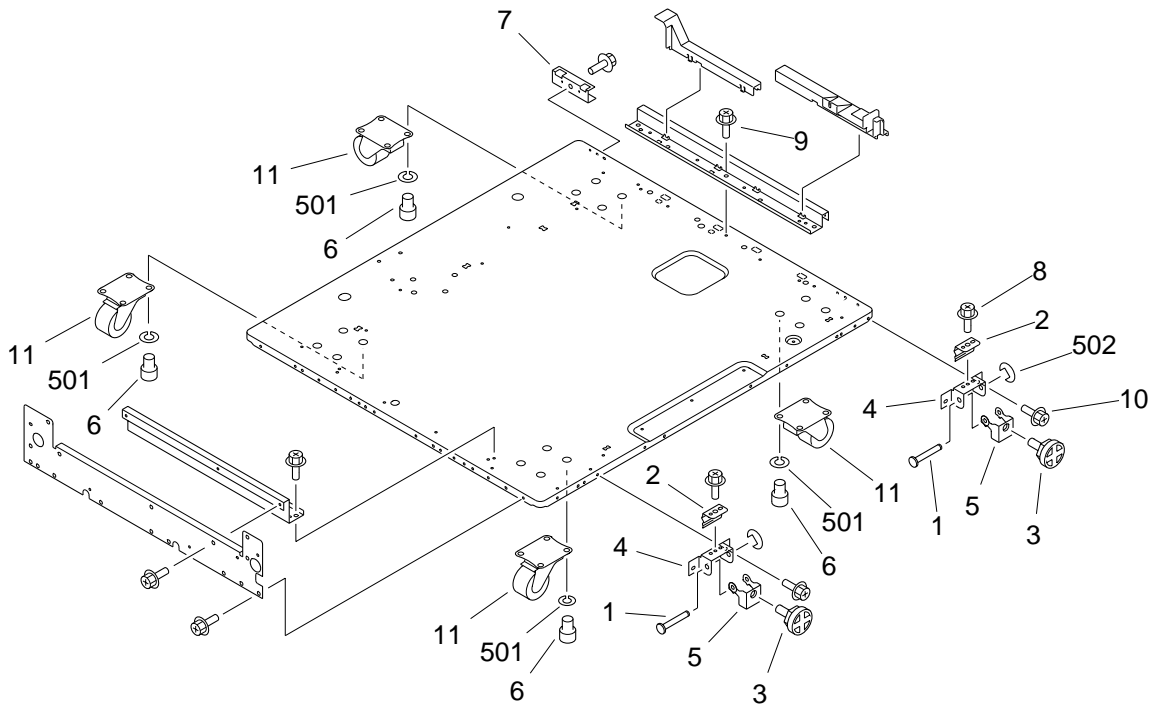
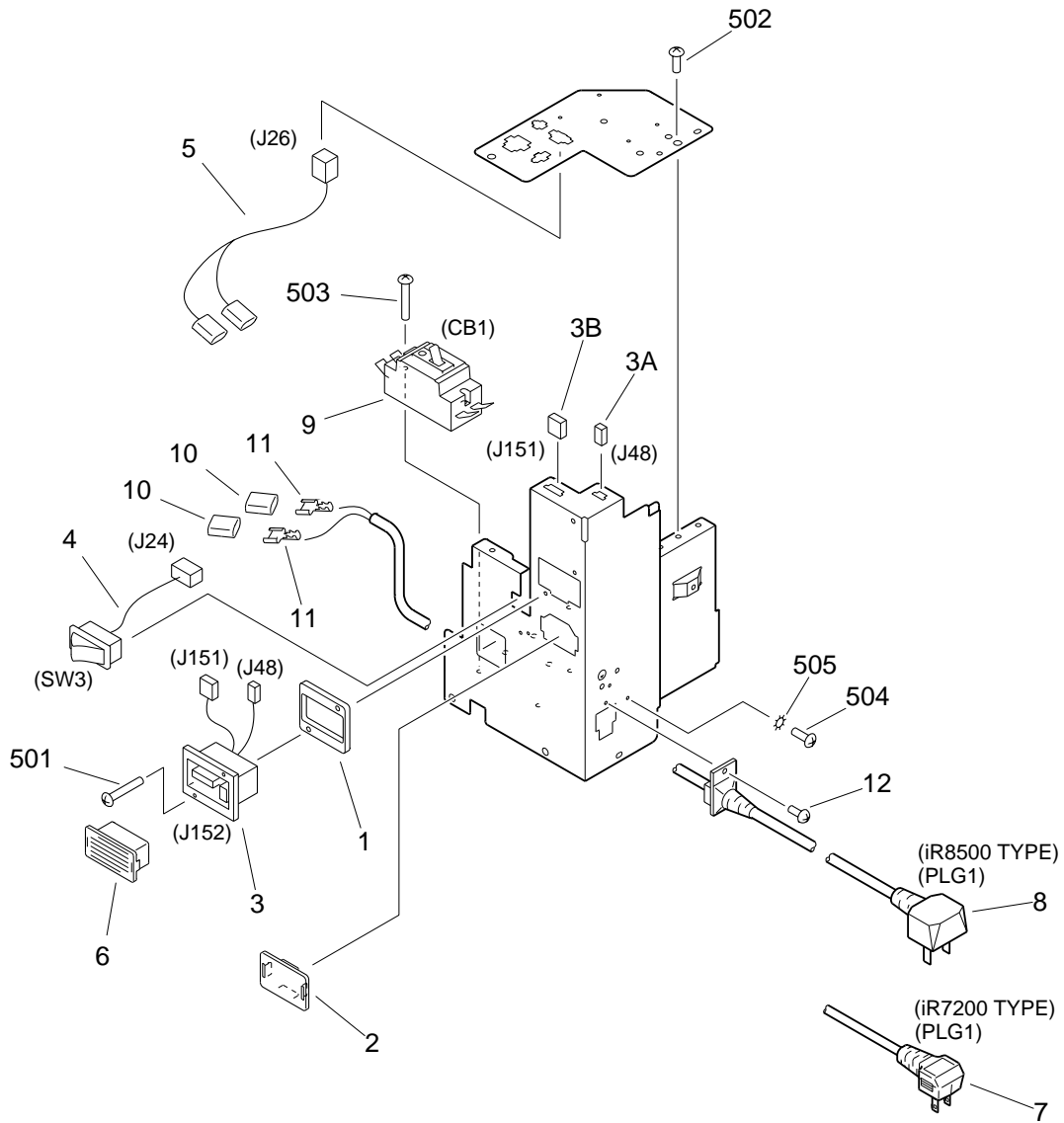


FIGURE & KEY NO.	PART NUMBER	RANK	QTY	DESCRIPTION	SERIAL NUMBER / REMARKS
108 -	NPN		RF	MACHINE BOTTOM PLATE	
1	FB2 - 7899 - 000		2	SHAFT, PIVOT, FRONT	
2	FB2 - 7900 - 000		2	SPRING, LEAF	
3	FB2 - 8506 - 000		2	ADJUSTER	
4	FB4 - 1334 - 000		2	PLATE, ADJUSTING, FRONT	
5	FB4 - 1339 - 000		2	PLATE, PIVOT	
6	FB4 - 1340 - 000		16	SCREW, ALLEN HEAD, M8X10	
7	FB4 - 7846 - 000		1	PLATE, WASTE TONER FIXED	
8	XA9 - 0628 - 000		2	SCREW, RS, M4X8	
9	XA9 - 0628 - 000		10	SCREW, RS, M4X8	
10	XA9 - 0643 - 000		AR	SCREW, RS, M4X10	
11	XZ9 - 0367 - 000		4	CASTER	
501	XD1 - 3100 - 805		16	WASHER, SPRING	
502	XD2 - 1100 - 502		2	RING, E	

POWER CORD TERMINAL ASSEMBLY (100V)

FIGURE 110

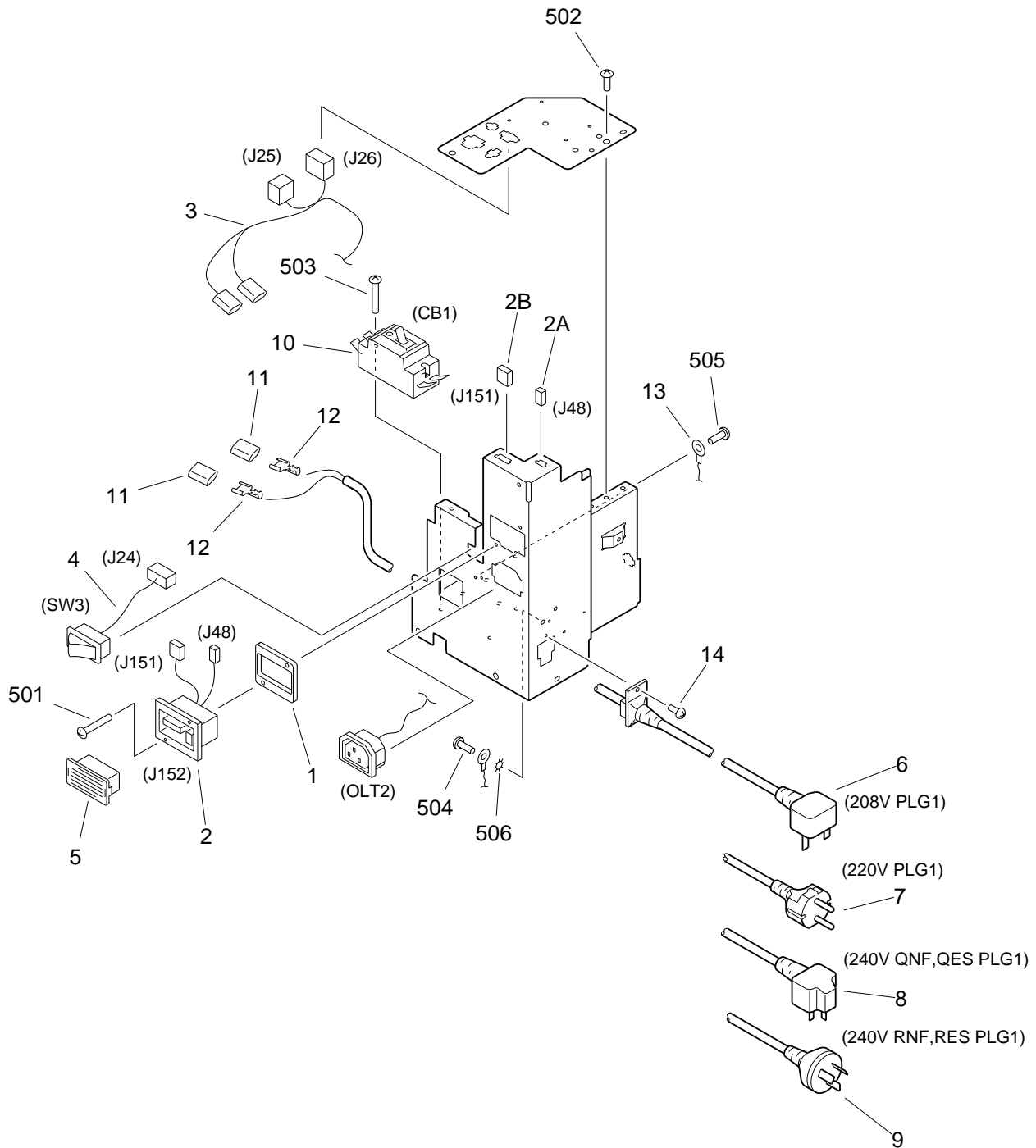


NOTE: This assembly does not include the part shown with key No.6.

FIGURE & KEY NO.	PART NUMBER	RANK	QTY	DESCRIPTION	SERIAL NUMBER / REMARKS
110 -	FG6 - 7269 - 000		1	POWER CORD TERMINAL ASSEMBLY	iR8500 100V iR8500P
	FG6 - 8918 - 000		1	POWER CORD TERMINAL ASSEMBLY	iR7200 100V iR7200P
	1 FB4 - 1542 - 000		1	SPACER, LATTICE CABLE	
	2 FB4 - 9343 - 000		1	COVER, SOCKET	
	3 FG6 - 1813 - 000		1	CABLE, LATTICE, FINISHER	J48,151,152
3 A	VS1 - 5057 - 002		1	CONNECTOR, SNAP TIGHT	J48
3 B	VS1 - 5057 - 005		1	CONNECTOR, SNAP TIGHT	J151
4	FG6 - 7207 - 000		1	CABLE, ENVIRONMENT SWITCH	SW3 J24
5	FG6 - 7285 - 000		1	CABLE, OUTLET	J26
6	FH2 - 6552 - 000		1	COVER, CONNECTOR	SEE NOTE
7	FH2 - 6569 - 000		1	CORD, POWER, 125V 15A	iR7200/7200P TYPE PLG1
8	FH2 - 6570 - 000		1	CORD, POWER, 125V 20A	iR8500/8500P TYPE PLG1
9	FH7 - 7573 - 000		1	BREAKER, CIRCUIT	iR8500/8500P TYPE CB1
	FH7 - 7574 - 000		1	BREAKER, ELECTRIC LEAKAGE	iR7200/7200P TYPE CB1
10	WS3 - 5610 - 000		2	CONNECTOR, 1P, FEMALE	
11	WS3 - 5613 - 000		2	SOCKET CONTACT, 10-14AWG	
12	XA9 - 0739 - 000		1	SCREW,TP,M4X8	
501	XB1 - 2301 - 407		2	SCREW,MACH.,TRUSS HEAD,M3X14	
502	XB1 - 2400 - 606		2	SCREW,MACH.,TRUSS HEAD,M4X6	
503	XB1 - 2402 - 009		2	SCREW,MACH.,TRUSS HEAD,M4X20	
504	XB1 - 2500 - 606		1	SCREW,MACH.,TRUSS HEAD,M5X6	
505	XD1 - 4200 - 502		1	WASHER,TOOTHED LOCK	

POWER CORD TERMINAL ASSEMBLY (208/220/240V)

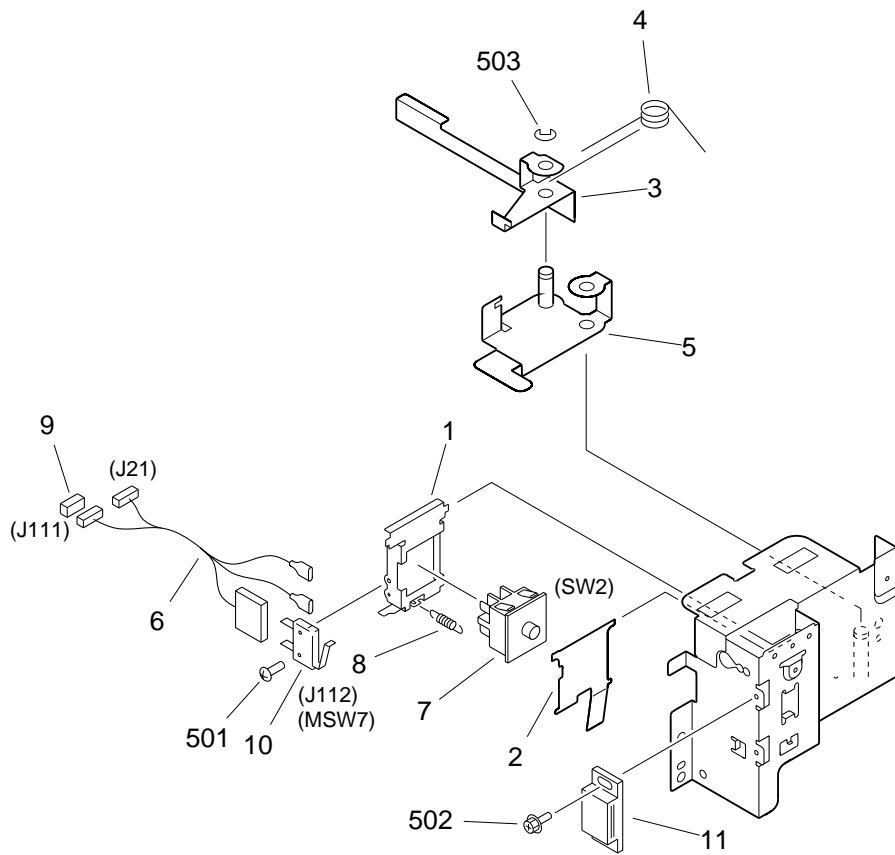
FIGURE 111



NOTE: This assembly does not include the part shown with key No.5.

FIGURE & KEY NO.	PART NUMBER	RANK	QTY	DESCRIPTION	SERIAL NUMBER / REMARKS
111 -	FG6 - 7270 - 000		1	POWER CORD TERMINAL ASSEMBLY	208V
	FG6 - 7271 - 000		1	POWER CORD TERMINAL ASSEMBLY	220V
	FG6 - 7319 - 000		1	POWER CORD TERMINAL ASSEMBLY	240V QNF,QES
	FG6 - 7320 - 000		1	POWER CORD TERMINAL ASSEMBLY	240V RNF,RES
	1	FB4 - 1542 - 000		1	SPACER, LATTICE CABLE
2	FG6 - 1813 - 000		1	CABLE, LATTICE, FINISHER	J48,151,152
2 A	VS1 - 5057 - 002		1	CONNECTOR, SNAP TIGHT	J48
2 B	VS1 - 5057 - 005		1	CONNECTOR, SNAP TIGHT	J151
3	FG6 - 7206 - 000		1	CABLE, OUTLET	OLT2 J25,26
4	FG6 - 7207 - 000		1	CABLE, ENVIRONMENT SWITCH	SW3 J24
5	FH2 - 6552 - 000		1	COVER, CONNECTOR	SEE NOTE
6	FH2 - 6901 - 000		1	CORD, POWER, 250V 15A	208V PLG1
7	FH2 - 6919 - 000		1	CORD, POWER, 250V 16A	220V PLG1
8	FH2 - 6920 - 000		1	CORD, POWER, 250V 13A	240V QNF,QES PLG1
9	FH2 - 6921 - 000		1	CORD, POWER, 250V 15A	240V RNF,RES PLG1
10	FH7 - 7574 - 000		1	BREAKER, ELECTRIC LEAKAGE	CB1
11	WS3 - 5610 - 000		2	CONNECTOR, 1P, FEMALE	
12	WS3 - 5613 - 000		2	SOCKET CONTACT, 10-14AWG	208V
	WS3 - 5612 - 000		2	SOCKET CONTACT	220/240V
13	WT1 - 0580 - 000		1	TERMINAL, RING	
14	XA9 - 0739 - 000		1	SCREW,TP,M4X8	
501	XB1 - 2301 - 407		2	SCREW,MACH.,TRUSS HEAD,M3X14	
502	XB1 - 2400 - 606		2	SCREW,MACH.,TRUSS HEAD,M4X6	
503	XB1 - 2402 - 009		2	SCREW,MACH.,TRUSS HEAD,M4X20	
504	XB1 - 2500 - 606		1	SCREW,MACH.,TRUSS HEAD,M5X6	
505	XB2 - 7400 - 606		1	SCREW,W/WASHER,M4X6	
506	XD1 - 4200 - 502		1	WASHER,TOOTHED LOCK	

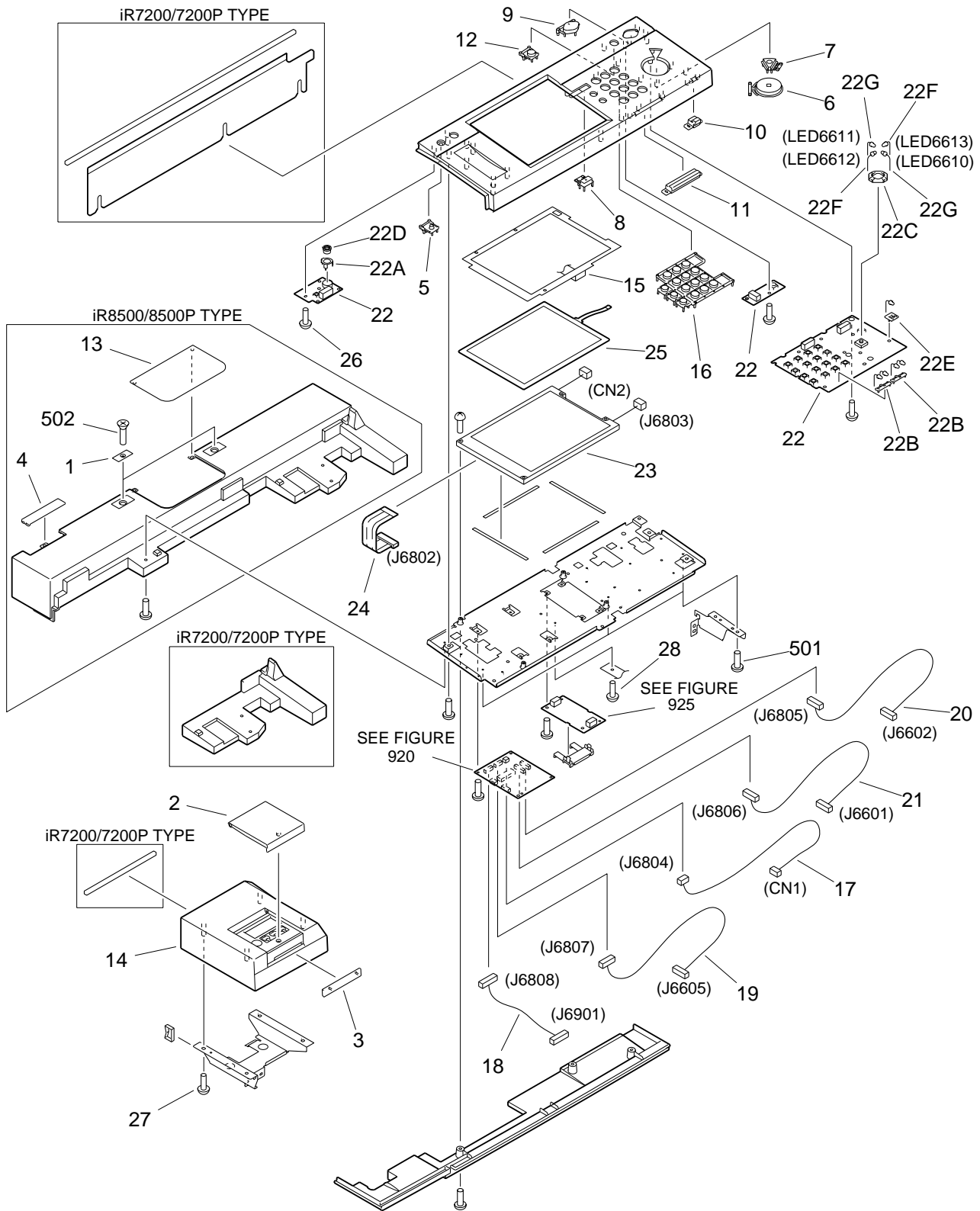
FIGURE 120 DOOR SWITCH MOUNT ASSEMBLY



NOTE: This assembly does not include the part shown with key No.9.

FIGURE & KEY NO.	PART NUMBER	RANK	QTY	DESCRIPTION	SERIAL NUMBER / REMARKS
120 -	FG6 - 7294 - 000		1	DOOR SWITCH MOUNT ASSEMBLY	
1	FB4 - 1432 - 000		1	HOLDER, DOOR SWITCH	
2	FB4 - 1433 - 000		1	PLATE, DOOR SWITCH	
3	FB4 - 1436 - 000		1	LEVER, ABSORPTION	
4	FB4 - 1557 - 020		1	SPRING, TORSION	
5	FF5 - 7884 - 000		1	LEVER, CRANK	
6	FG6 - 1817 - 000		1	CABLE, FRONT DOOR SWITCH, DC	J21,111,112
7	FH7 - 6253 - 000		1	SWITCH, DOOR	SW2
8	FS5 - 2928 - 000		1	SPRING, TENSION	
9	VS1 - 5057 - 002		1	CONNECTOR, SNAP TIGHT	SEE NOTE J111
10	WC4 - 0153 - 000		1	MICRO SWITCH	MSW7 J112
11	XZ9 - 0251 - 000		1	CATCH, MAGNET	
501	XB1 - 2230 - 809		1	SCREW,MACH.,TRUSS HEAD,M2.3X8	
502	XB3 - 6300 - 800		2	SCREW,RS,M3X8	
503	XD2 - 1100 - 642		1	RING,E	

FIGURE 130 CONTROL PANEL ASSEMBLY



NOTE1: This assembly includes the assemblies shown in Figure 920 and 925.
 NOTE2: This assembly does not include the parts shown with key No. 1, 2, 3, 4, 13, 14, 27 and 502.

FIGURE & KEY NO.	PART NUMBER	RANK	QTY	DESCRIPTION	SERIAL NUMBER / REMARKS
130 -	FG6 - 7337 - 000		1	CONTROL PANEL ASSEMBLY	iR8500 JAPANESE iR8500P SEE NOTE 1
	FG6 - 7338 - 000		1	CONTROL PANEL ASSEMBLY	iR8500 ENGLISH SEE NOTE 1
	FG6 - 7339 - 000		1	CONTROL PANEL ASSEMBLY	iR8500 ILLUSTRATION SEE NOTE 1
	FG6 - 8904 - 000		1	CONTROL PANEL ASSEMBLY	iR7200 JAPANESE iR7200P SEE NOTE 1
	FG6 - 8905 - 000		1	CONTROL PANEL ASSEMBLY	iR7200 ENGLISH SEE NOTE 1
	FG6 - 8906 - 000		1	CONTROL PANEL ASSEMBLY	iR7200 ILLUSTRATION SEE NOTE 1
1	FA3 - 9315 - 000		2	PLATE, COVER	iR8500/8500P TYPE SEE NOTE 2
2	FB2 - 4234 - 000		1	COVER, CONTROL CARD	SEE NOTE 2
3	FB2 - 4236 - 000		1	PLATE, BLANKING	SEE NOTE 2
4	FB4 - 2343 - 000		1	PANEL, SERVICE	iR8500/8500P TYPE SEE NOTE 2
5	FB4 - 5005 - 000		1	KEY TOP, COUNTER	
6	FB5 - 2172 - 000		1	KEY TOP, COPY	
7	FB5 - 2173 - 000		1	KEY TOP, STOP	
8	FB5 - 3698 - 000		1	KEY TOP, RESET	
9	FB5 - 3699 - 000		1	KEY TOP, POWER SUPPLY	
10	FB5 - 3708 - 000		1	COVER, PILOT LAMP	
11	FB5 - 3709 - 000		1	COVER, LAMP	
12	FB5 - 3728 - 000		1	KEY TOP, ENERGY SAVE	
13	FB5 - 6838 - 000		1	COVER, CHANGE	iR8500/8500P TYPE SEE NOTE 2
14	FB5 - 6840 - 000		1	COVER, CCV	SEE NOTE 2
15	FB5 - 6846 - 000		1	SHEET, LCD ELECTROSTATIC	
16	FF5 - 9963 - 000		1	KEY TOP, NUMBERS	
17	FG3 - 1796 - 000		1	CABLE, INVERTER CONNECTING	J6804,CN1
18	FG3 - 1797 - 000		1	CABLE, VR	J6808,6901
19	FG3 - 1798 - 000		1	CABLE, SOFT SWITCH	J6605,6807
20	FG3 - 1799 - 000		1	CABLE, KEY, 1	J6602,6805
21	FG3 - 1800 - 000		1	CABLE, KEY, 2	J6601,6806
22	FG6 - 5176 - 000		1	CONTROL PANEL PCB ASSEMBLY	J6601,6602,6605,6901
22 A	FB3 - 8320 - 000		1	PLATE, GROUNDING	
22 B	FB5 - 2174 - 000		2	HOLDER, LED, 2	

FIGURE & KEY NO.	PART NUMBER	RANK	QTY	DESCRIPTION	SERIAL NUMBER / REMARKS
130 - 22 C	FB5 - 2195 - 000		1	HOLDER, LED	
22 D	FB5 - 3718 - 000		1	KNOB, CONTRAST	
22 E	FB5 - 3730 - 000		1	HOLDER, LED	
22 F	FH6 - 0767 - 000		2	LED UNIT	LED6612,6613
22 G	FH6 - 0768 - 000		2	LED UNIT	LED6610,6611
23	FG6 - 9149 - 000		1	LCD CONTROL PANEL UNIT	LCD CN2,J6802,6803
24	FH2 - 6842 - 000		1	CABLE, FLAT	J6802
25	FH6 - 0784 - 000		1	ANALOG TOUCH PANEL UNIT	
26	XA9 - 0591 - 000		29	SCREW,M3X8	
27	XA9 - 0591 - 000		5	SCREW,M3X8	SEE NOTE 2
28	XA9 - 0670 - 000		1	SCREW,M3X6	
501	XB1 - 2300 - 607		25	SCREW,MACH.,TRUSS HEAD,M3X6	
502	XB1 - 3400 - 606		2	SCREW,MACH.,C.S.HEAD,M4X6	iR8500/8500P TYPE SEE NOTE 2

FIGURE 190 FIXING EXHAUST FAN ASSEMBLY

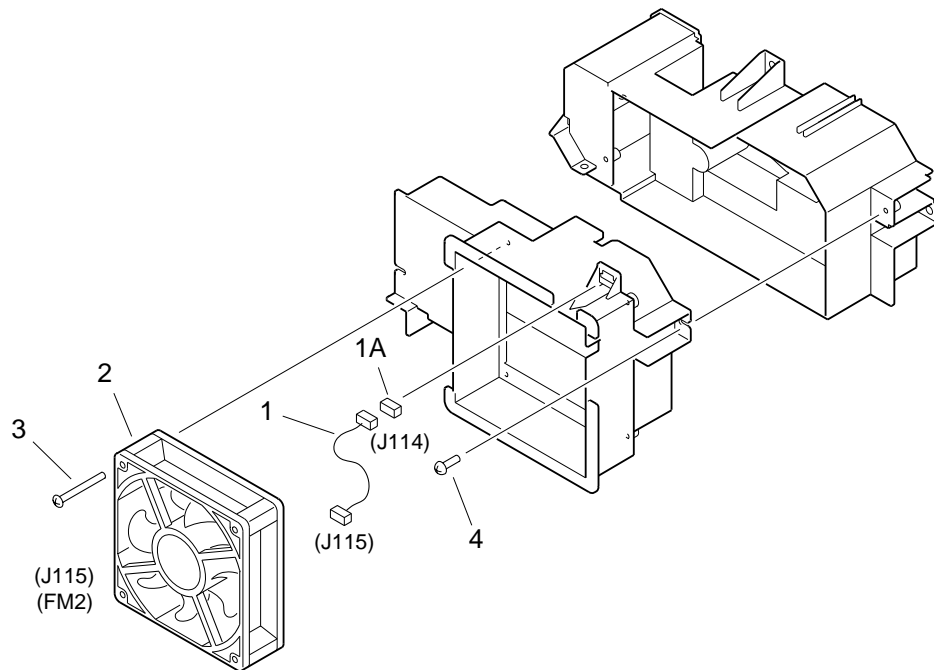


FIGURE & KEY NO.	PART NUMBER	RANK	QTY	DESCRIPTION	SERIAL NUMBER / REMARKS
190 -	FG6 - 2247 - 000		1	FIXING EXHAUST FAN ASSEMBLY	
1	FG6 - 1898 - 000		1	CABLE, EXHAUST FAN CONNECTING	J114,115
1 A	VS1 - 5057 - 003		1	CONNECTOR, SNAP TIGHT	J114
2	FH6 - 1545 - 000		1	FAN, COOLING	FM2 J115
3	XA9 - 0189 - 000		4	SCREW,M4X50	
4	XA9 - 0605 - 000		2	SCREW,M4X8	

FIGURE 194 SCANNER COOLING FAN ASSEMBLY

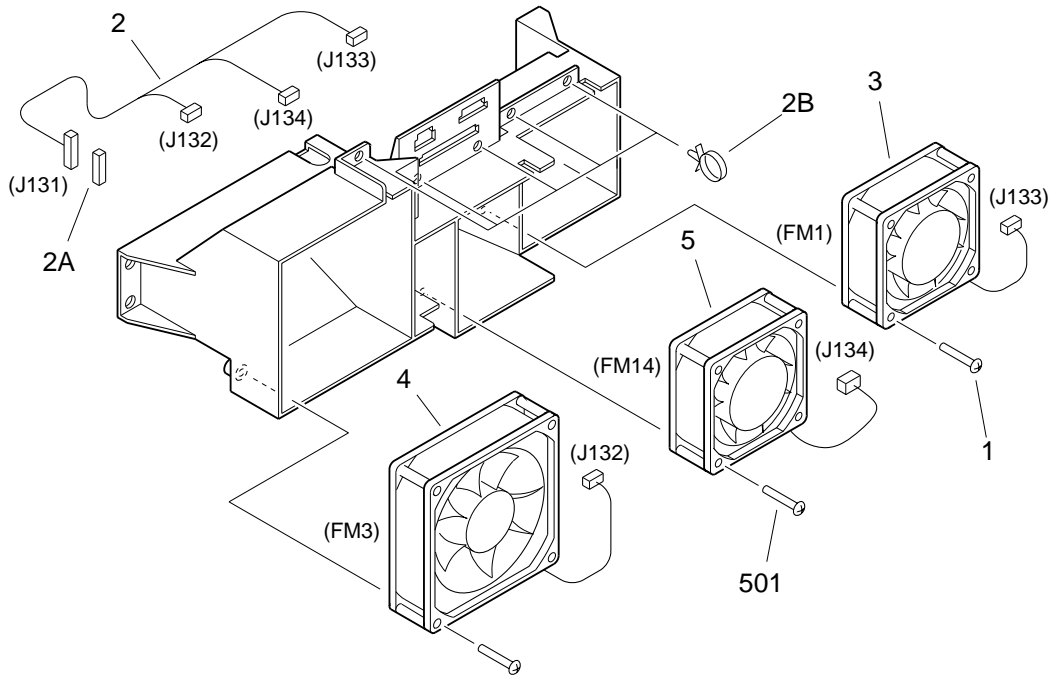


FIGURE & KEY NO.	PART NUMBER	RANK	QTY	DESCRIPTION	SERIAL NUMBER / REMARKS
194 -	FG6 - 1997 - 000		1	SCANNER COOLING FAN ASSEMBLY	
1	FA9 - 3622 - 000		6	SCREW,TAPPING, PAN HEAD,M4X35	
2	FG6 - 1895 - 000		1	CABLE, THREE FANS	J131-134
2A	VS1 - 6318 - 009		1	CONNECTOR, SNAP TIGHT	J131
2B	WT2 - 5178 - 000		5	CLIP, CABLE	
3	FH6 - 1544 - 000		1	FAN, COOLING	FM1 J133
4	FH6 - 1546 - 000		1	FAN, COOLING	FM3 J132
5	FH6 - 1706 - 000		1	FAN, COOLING	FM14 J134
501	XB4 - 6401 - 605		2	SCREW,TAPPING,PAN HEAD,M4X16	

FIGURE 195 DRUM INTAKE FAN ASSEMBLY

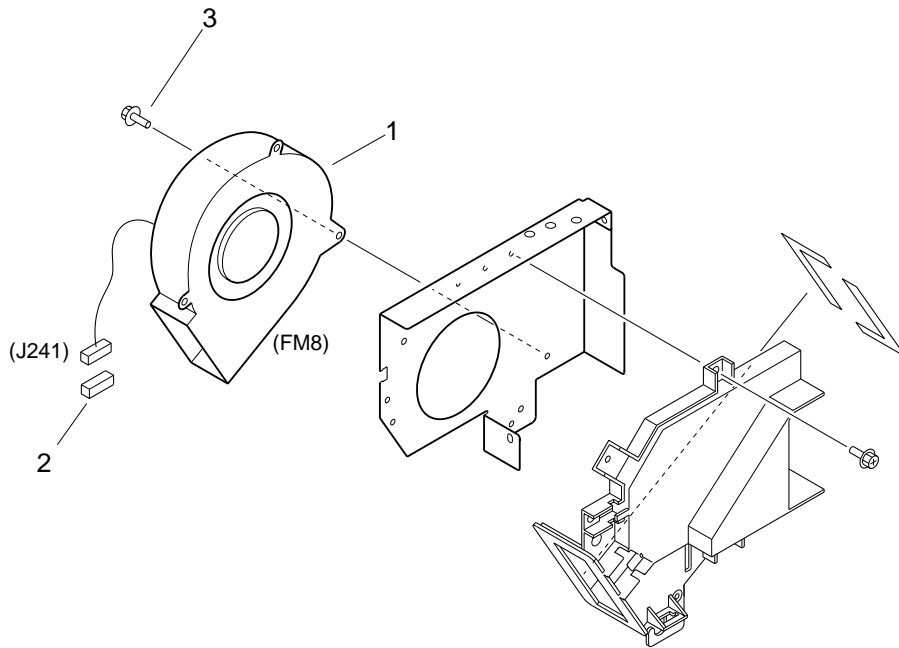
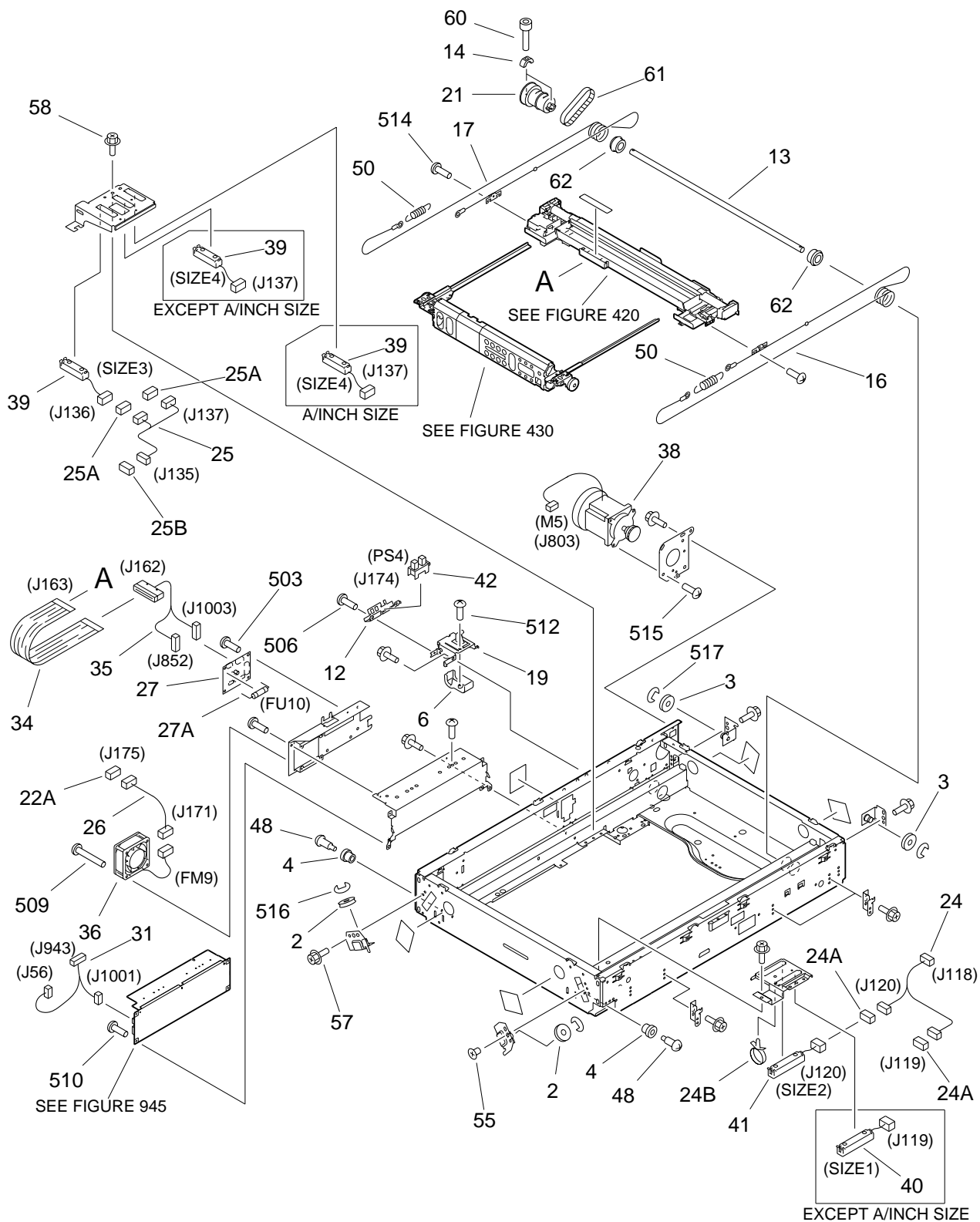


FIGURE & KEY NO.	PART NUMBER	RANK	QTY	DESCRIPTION	SERIAL NUMBER / REMARKS
195 -	FG6 - 1987 - 000		1	DRUM INTAKE FAN ASSEMBLY	
1	FH6 - 1550 - 000		1	FAN, INTAKE	FM8 J241
2	VS1 - 5057 - 003		1	CONNECTOR, SNAP TIGHT	J241
3	XA9 - 0628 - 000		6	SCREW,RS,M4X8	

LENS MOUNT ASSEMBLY FIGURE 210 (IR8500/8500P TYPE)(1/2)



LENS MOUNT ASSEMBLY FIGURE 210 (iR8500/8500P TYPE)(2/2)

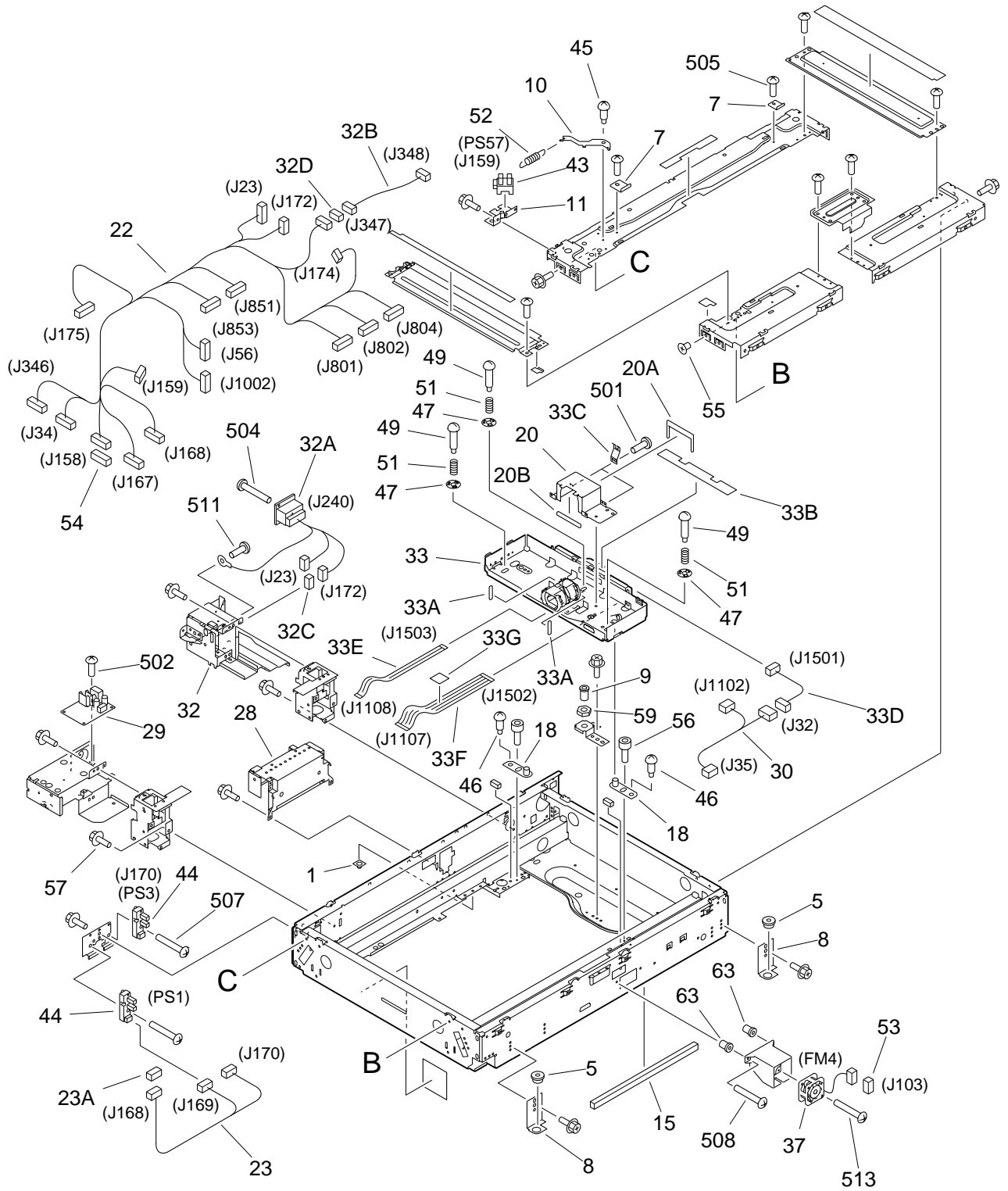


FIGURE & KEY NO.	PART NUMBER	RANK	QTY	DESCRIPTION	SERIAL NUMBER / REMARKS
210 -	NPN		RF	LENS MOUNT ASSEMBLY	iR8500/8500P TYPE
1	FA9 - 1800 - 000		1	CUP	
2	FB1 - 7109 - 000		2	PULLEY	
3	FB1 - 7109 - 000		2	PULLEY	
4	FB1 - 7112 - 000		2	ROLLER, WIRE	
5	FB2 - 6310 - 000		2	BUSHING, RUBBER	
6	FB2 - 8167 - 000		1	COVER, SENSOR	
7	FB4 - 0715 - 000		2	PLATE, GLASS RETAINING	
8	FB4 - 1428 - 000		2	PLATE, FIXING	
9	FB4 - 1734 - 000		1	SCREW, ADJUSTING	
10	FB4 - 2358 - 000		1	LEVER, GLASS SENSOR	
11	FB4 - 2360 - 000		1	HOLDER, SENSOR	
12	FB4 - 2366 - 000		1	HOLDER, SENSOR	
13	FB4 - 2376 - 000		1	SHAFT, SCANNER DRIVE	
14	FB4 - 2384 - 000		2	LOCK, PULLEY	
15	FB5 - 7054 - 000		1	SEAL, DUST-PROOF, FRONT	
16	FB6 - 2724 - 000		1	WIRE, SCANNER, FRONT	
17	FB6 - 2725 - 000		1	WIRE, SCANNER, REAR	
18	FF5 - 2173 - 000		2	PLATE, POSITIONING	
19	FF5 - 7883 - 000		1	PLATE, SENSOR ARM SUPPORT	
20	FF5 - 7938 - 000		1	COVER, CCD	
20A	FB4 - 1712 - 000		1	SEAL, CCD COVER, CCD	
20B	FB4 - 1714 - 000		1	SEAL, CCD COVER, UPPER	
21	FF9 - 1909 - 000		1	PULLEY, DRIVE	
22	FG6 - 1823 - 000		1	CABLE, REAR UPPER	J23,34,56,158,159 J167,168,172,174,175
22A	VS1 - 5057 - 003		1	CONNECTOR, SNAP TIGHT	J346,347,801,802 J804,851,853,1002 J175
23	FG6 - 1824 - 000		1	CABLE, HOME POSITION SENSOR	J168-170
23A	VS1 - 5057 - 006		1	CONNECTOR, SNAP TIGHT	J168
24	FG6 - 1827 - 000		1	CABLE, SIZE SENSOR 1/2	J118-120

FIGURE & KEY NO.	PART NUMBER	RANK	QTY	DESCRIPTION	SERIAL NUMBER / REMARKS
210 - 24 A	VS1 - 5057 - 003		2	CONNECTOR, SNAP TIGHT	J119,120
24 B	WT2 - 5178 - 000		1	CLIP, CABLE	
25	FG6 - 1828 - 000		1	CABLE, SIZE SENSOR 3/4	J135-137
25 A	VS1 - 5057 - 003		2	CONNECTOR, SNAP TIGHT	J136,137
25 B	VS1 - 6318 - 006		1	CONNECTOR, SNAP TIGHT	J135
26	FG6 - 1893 - 000		1	CABLE, INVERTER FAN CONNECTING	J171,175
27	FG6 - 1942 - 000		1	EXPOSURE CONTROL PCB ASSEMBLY	
27 A	VD7 - 1622 - 001		1	FUSE, 2A, 60V	FU10
28	FG6 - 2033 - 000		1	SCANNER MOTOR DRIVER PCB ASS'Y	
29	FG6 - 2512 - 000		1	TRANSFORMER PCB ASSEMBLY	
30	FG6 - 7213 - 000		1	CABLE, CCD POWER CONNECTING	J32,35,1102
31	FG6 - 7260 - 000		1	CABLE, INV. POWER CONNECTING	J56,943,1001
32	FG6 - 7332 - 000		1	DF CONNECTOR MOUNT UNIT	
32 A	FG6 - 1825 - 000		1	CABLE, LATTICE, RF	J23,172,240
32 B	FG6 - 7223 - 000		1	CABLE, OPT. MOTOR CONNECTING	J347,348
32 C	VS1 - 5057 - 007		1	CONNECTOR, SNAP TIGHT	J172
32 D	VS1 - 6318 - 003		1	CONNECTOR, SNAP TIGHT	J347
33	FG6 - 7401 - 000		1	CCD UNIT	
33 A	FB4 - 1713 - 000		2	SEAL, CCD COVER, SIDE	
33 B	FB4 - 1715 - 000		1	SHEET, LIGHT-BLOCKING	
33 C	FB4 - 1740 - 000		2	SPRING, LEAF	
33 D	FG6 - 1822 - 000		1	CABLE, CCD CONNECTING	J32,1501
33 E	FH2 - 6898 - 000		1	CABLE, FLAT	J1108,1503
33 F	FH2 - 6899 - 000		1	CABLE, FLAT	J1107,1502
33 G	FS7 - 8109 - 000		1	LABEL, CABLE CONNECTOR	
34	FH2 - 6452 - 000		1	CABLE, FLUORESCENT LAMP	J162,163
35	FH2 - 6574 - 000		1	CABLE, FLUORESCENT	J162,852,1003
36	FH6 - 1544 - 000		1	FAN, COOLING	FM9 J171
37	FH6 - 1547 - 000		1	FAN, COOLING	FM4 J103
38	FH6 - 1886 - 000		1	MOTOR, STEPPING	M5 J803

FIGURE & KEY NO.	PART NUMBER	RANK	QTY	DESCRIPTION	SERIAL NUMBER / REMARKS
210 - 39	FH7 - 7423 - 000		2	SENSOR, DOCUMENT, REAR	SIZE3,4 J136,137
40	FH7 - 7424 - 000		1	SENSOR, DOCUMENT, FRONT	EXCEPT A/INCH SIZE SIZE1 J119
41	FH7 - 7424 - 000		1	SENSOR, DOCUMENT, FRONT	SIZE2 J120
42	FH7 - 7462 - 000		1	PHOTO-INTERRUPTER	PS4 J174
43	FH7 - 7462 - 000		1	PHOTO-INTERRUPTER	PS57 J159
44	FH7 - 7485 - 000		2	PHOTO-INTERRUPTER	PS1,3 J169,170
45	FS1 - 9002 - 000		1	SCREW, STEPPED, M4	
46	FS2 - 9267 - 000		1	SCREW, STEPPED, M4	
47	FS5 - 6684 - 000		3	PLATE, CCD SPRING	
48	FS5 - 9219 - 000		2	SCREW, STEPPED, M4	
49	FS5 - 9491 - 000		3	SCREW, STEPPED, M4	
50	FS6 - 2737 - 000		2	SPRING, TENSION	
51	FS6 - 2761 - 000		3	SPRING, COMPRESSION	
52	FS6 - 2894 - 000		1	SPRING, TENSION	
53	VS1 - 5057 - 003		1	CONNECTOR, SNAP TIGHT	J103
54	VS1 - 6319 - 026		1	CONNECTOR, SNAP TIGHT	J158
55	XA9 - 0271 - 000		6	SCREW, M4X6	
56	XA9 - 0520 - 000		2	BOLT, HEX SKT, M4X8	
57	XA9 - 0628 - 000		36	SCREW, RS, M4X8	
58	XA9 - 0643 - 000		AR	SCREW, RS, M4X10	
59	XA9 - 0965 - 000		1	NUT, HEX, M10X5	
60	XA9 - 1092 - 000		2	SCREW, ALLEN HEAD, M4X20	
61	XF9 - 0680 - 000		1	BELT, DRIVE	
62	XG9 - 0018 - 000		2	BEARING, BALL, 6000ZZNRC3	
63	XH9 - 0006 - 000		2	BUSHING, RUBBER, (WITH M4 NUT)	
501	XB1 - 2300 - 409		2	SCREW, MACH., TRUSS HEAD, M3X4	
502	XB1 - 2300 - 607		4	SCREW, MACH., TRUSS HEAD, M3X6	
503	XB1 - 2300 - 609		4	SCREW, MACH., TRUSS HEAD, M3X6	
504	XB1 - 2301 - 207		2	SCREW, MACH., TRUSS HEAD, M3X12	
505	XB1 - 2400 - 609		6	SCREW, MACH., TRUSS HEAD, M4X6	

FIGURE & KEY NO.	PART NUMBER	R A N K	Q' T Y	DESCRIPTION	SERIAL NUMBER / REMARKS
210 - 506	XB1 - 2400 - 609		2	SCREW,MACH.,TRUSS HEAD,M4X6	
507	XB1 - 2401 - 209		2	SCREW,MACH.,TRUSS HEAD,M4X12	
508	XB1 - 2401 - 409		2	SCREW,MACH.,TRUSS HEAD,M4X14	
509	XB1 - 2403 - 009		2	SCREW,MACH.,TRUSS HEAD,M4X30	
510	XB2 - 4300 - 607		6	SCREW,W/WASHER,M3X6	
511	XB2 - 7400 - 607		1	SCREW,W/WASHER,M4X6	
512	XB4 - 7300 - 809		1	SCREW,TAPPING,TRUSS HEAD,M3X8	
513	XB4 - 7303 - 009		2	SCREW,TAPPING,TRUSS HEAD,M3X30	
514	XB6 - 7300 - 609		4	SCREW,TP,M3X6	
515	XB6 - 7400 - 609		2	SCREW,TP,M4X6	
516	XD2 - 1100 - 642		2	RING,E	
517	XD2 - 1100 - 642		2	RING,E	

FIGURE 211 READER ASSEMBLY (iR7200/7200P TYPE)(1/2)

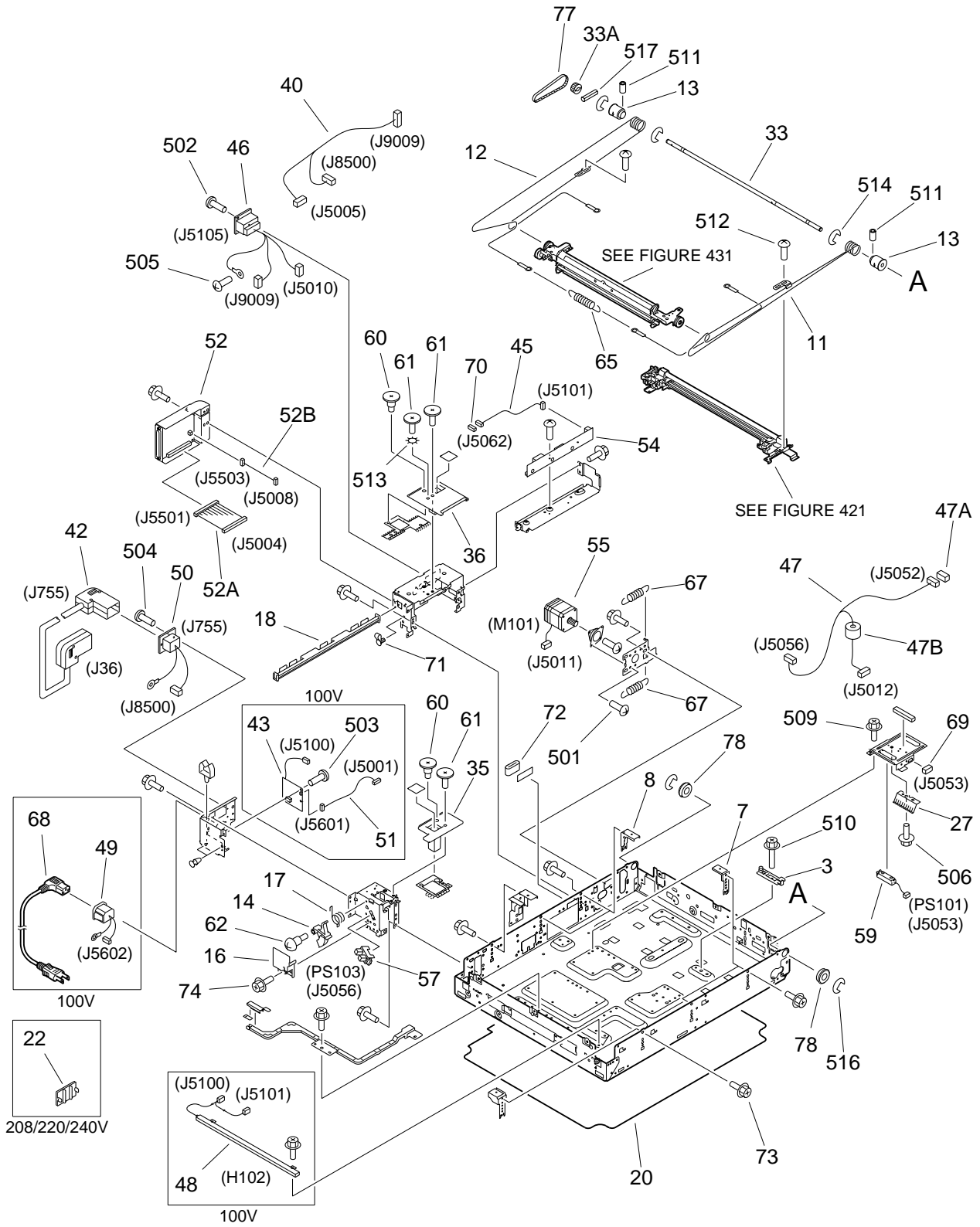


FIGURE 211 READER ASSEMBLY (iR7200/7200P TYPE)(2/2)

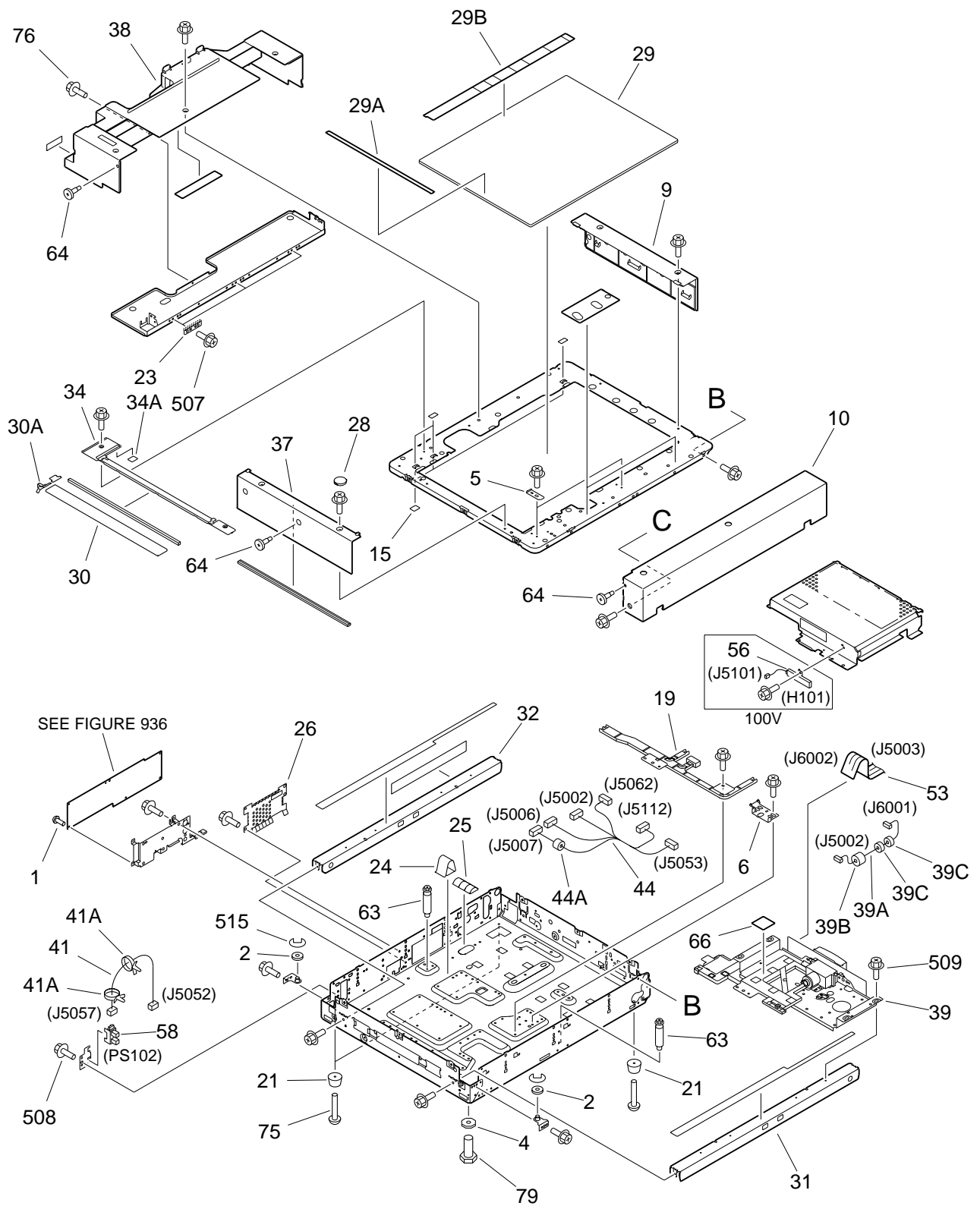


FIGURE & KEY NO.	PART NUMBER	RANK	QTY	DESCRIPTION	SERIAL NUMBER / REMARKS
211 -	NPN		1	READER ASSEMBLY	iR7200/7200P TYPE
1	FA9 - 1449 - 000		7	SCREW,W/WASHER,M3X6	
2	FB1 - 7109 - 000		2	PULLEY	
3	FB3 - 2398 - 020		1	LEVER, LENS MOUNT	
4	FB4 - 0753 - 000		1	NUT	
5	FB4 - 5402 - 000		2	PLATE, GLASS	
6	FB5 - 3046 - 000		1	PLATE, SKEW ADJUSTMENT	
7	FB5 - 3049 - 000		2	PLATE, FRONT	
8	FB5 - 3050 - 000		2	PLATE, REAR	
9	FB5 - 3055 - 000		1	RETAINER, GLASS, RIGHT	
10	FB5 - 3056 - 000		1	PANEL, FRONT	
11	FB5 - 3085 - 000		1	WIRE, SCANNER, FRONT (MECH)	
12	FB5 - 3086 - 000		1	WIRE, SCANNER, REAR (MECH)	
13	FB5 - 3087 - 000		2	PULLEY	
14	FB5 - 3090 - 000		1	LEVER, SENSOR	
15	FB5 - 3502 - 000		3	SHEET	
16	FB5 - 3635 - 000		1	COVER, SENSOR	
17	FB5 - 3636 - 000		1	SPRING, TORSION	
18	FB5 - 3641 - 000		1	GUIDE, CABLE	
19	FB5 - 3642 - 000		1	GUIDE, BOTTOM CABLE	
20	FB5 - 5455 - 000		1	SHEET, BOTTOM	
21	FB5 - 5456 - 000		3	FOOT, RUBBER	
22	FB5 - 5458 - 000		1	COVER, INLET	208/220/240V
23	FB5 - 5467 - 000		3	SPRING, LEAF	
24	FB5 - 5544 - 000		1	SPRING,LEAF	
25	FB5 - 5547 - 000		1	SPRING, GROUNDING	
26	FB5 - 5549 - 000		1	SPRING, GROUNDING	
27	FB5 - 5551 - 000		1	SPRING, LEAF	
28	FB5 - 5555 - 000		1	COVER, BLANKING	
29	FF5 - 9811 - 000		1	GLASS, COPYBOARD	AB SIZE

FIGURE & KEY NO.	PART NUMBER	RANK	QTY	DESCRIPTION	SERIAL NUMBER / REMARKS	
211 - 29	FF5 - 9812 - 000		1	GLASS, COPYBOARD	A/INCH SIZE	
	FF5 - 9813 - 000		1	GLASS, COPYBOARD	A SIZE	
	FF5 - 9814 - 000		1	GLASS, COPYBOARD	AB/INCH SIZE	
	29 A	FB5 - 3052 - 000		1	PLATE, WIDTH INDEX	AB SIZE
	FB5 - 4557 - 000		1	PLATE, WIDTH INDEX	A/INCH SIZE	
29 B	FB5 - 4558 - 000		1	PLATE, WIDTH INDEX	A SIZE	
	FB5 - 4559 - 000		1	PLATE, WIDTH INDEX	AB/INCH SIZE	
	FB5 - 4535 - 000		1	PLATE, LENGTH INDEX	AB SIZE	
	FB5 - 4553 - 000		1	PLATE, LENGTH INDEX	A/INCH SIZE	
	FB5 - 4554 - 000		1	PLATE, LENGTH INDEX	A SIZE	
30	FB5 - 4555 - 000		1	PLATE, LENGTH INDEX	AB/INCH SIZE	
	FF5 - 9816 - 000		1	GLASS, READER		
	30 A	FB5 - 4586 - 000		1	SPRING, GROUNDING	
	31	FF5 - 9820 - 000		1	RAIL, SCANNER, FRONT	
32	FF5 - 9821 - 000		1	RAIL, SCANNER, REAR		
33	FF5 - 9830 - 000		1	SHAFT, DRIVE		
	33 A	FS5 - 3804 - 000		1	PULLEY, 33T	
	34	FF5 - 9854 - 000		1	GUIDE, PAPER	
	34 A	FB5 - 3502 - 000		1	SHEET	
	35	FF5 - 9956 - 000		1	COVER, POCKET, LEFT	
36	FF5 - 9957 - 000		1	COVER, POCKET, RIGHT		
	37	FF5 - 9959 - 000		1	RETAINER, GLASS, LEFT	
	38	FF6 - 0384 - 000		1	PANEL, REAR	
	39	FG6 - 4853 - 000		1	CCD UNIT	
	39 A	FG6 - 4973 - 000		1	CABLE, CCD POWER	J5002,6001
39 B	WE8 - 5622 - 000		1	CORE, RING		
	39 C	WE8 - 5791 - 000		2	CORE,FERRITE	
	40	FG6 - 4970 - 000		1	CABLE, ADF POWER CONNECTING	J5005,8500,9009
	41	FG6 - 4971 - 000		1	CABLE, HOME POSITION SENSOR	J5052,5057
	41 A	WT2 - 5565 - 000		2	CLAMP, CABLE	

FIGURE & KEY NO.	PART NUMBER	RANK	QTY	DESCRIPTION	SERIAL NUMBER / REMARKS
211 - 42	FG6 - 4985 - 000		1	CABLE, DDI-S POWER SUPPLY	J36,755
43	FG6 - 4988 - 000		1	FUSE PCB ASSEMBLY	100V
44	FG6 - 5475 - 000		1	CABLE, DOCUMENT CONNECTING	J5002,5006,5007 J5053,5062,5112
44 A	WE8 - 5406 - 000		1	CORE, FERRITE	
45	FG6 - 5476 - 000		1	CABLE, INVERTER	J5062,5101
46	FG6 - 5479 - 000		1	CABLE, READER CONT./ADF POWER	J5010,5105,9009
47	FG6 - 5480 - 000		1	CABLE, ADF SENSOR	J5012,5052,5056
47 A	VS1 - 5057 - 003		1	CONNECTOR, SNAP TIGHT	J5052
47 B	WE8 - 5406 - 000		1	CORE, FERRITE	
48	FG6 - 5917 - 000		1	HEATER, PLATE	100V H102 J5100,5101
49	FG6 - 5956 - 000		1	CABLE, INLET	100V J5602
50	FG6 - 5957 - 000		1	CABLE, LATTICE	J755,8500
51	FG6 - 5958 - 000		1	CABLE, FUSE PCB	100V J5001,5601
52	FG6 - 6100 - 000		1	DDIS PCB ASSEMBLY	
52 A	FG6 - 5954 - 000		1	FLAT CABLE	J5501,5004
52 B	FG6 - 5955 - 000		1	CABLE, BOARD POWER SUPPLY	J5008,5503
53	FH2 - 6853 - 000		1	CABLE, FLAT	J5003,6002
54	FH3 - 7208 - 000		1	INVERTER PCB UNIT	
55	FH6 - 1734 - 000		1	MOTOR, STEPPING, DC 24V	M101 J5011
56	FH7 - 4666 - 000		1	HEATER, PLATE	100V H101 J5101
57	FH7 - 7312 - 000		1	PHOTO-INTERRUPTER	PS103 J5056
58	FH7 - 7312 - 000		1	PHOTO-INTERRUPTER	PS102 J5057
59	FH7 - 7386 - 000		1	SENSOR, DOCUMENT, REAR	PS101 J5053
60	FS2 - 9540 - 000		2	SCREW, STEPPED, M5	
61	FS2 - 9542 - 000		3	SCREW, STEPPED	
62	FS5 - 9227 - 000		1	SCREW, STEPPED, M4	
63	FS5 - 9642 - 000		2	SCREW, STEPPED, M4	
64	FS5 - 9665 - 000		3	SCREW, MIRROR FIXED	
65	FS6 - 2913 - 000		1	SPRING, TENSION	
66	FS6 - 8991 - 000		1	LABEL, CARD CONNECTOR	

FIGURE & KEY NO.	PART NUMBER	RANK	QTY	DESCRIPTION	SERIAL NUMBER / REMARKS
211 - 67	FS7 - 2324 - 000		2	SPRING, TENSION	
68	RH2 - 5191 - 000		1	CORD, POWER	100V
69	VS1 - 5057 - 003		1	CONNECTOR, SNAP TIGHT	J5053
70	VS1 - 6318 - 005		1	CONNECTOR, SNAP TIGHT	J5062
71	VT2 - 0021 - 003		1	CLAMP, CABLE	
72	WE8 - 5266 - 000		1	FERRITE CORE SSC-33.5-12-F	
73	XA9 - 0642 - 000		6	SCREW,RS,M3X6	
74	XA9 - 0732 - 000		1	SCREW,RS,M4X8	
75	XA9 - 0791 - 000		3	SCREW,M4X17	
76	XA9 - 0908 - 000		7	SCREW,RS,M4X8	
77	XF9 - 0716 - 000		1	BELT, MOTOR DRIVE	
78	XG9 - 0250 - 000		2	BEARING, BALL	
79	XZ9 - 0444 - 000		1	ADJUSTER	
501	XB1 - 2300 - 609		4	SCREW,MACH.,TRUSS HEAD,M3X6	
502	XB1 - 2300 - 609		2	SCREW,MACH.,TRUSS HEAD,M3X6	
503	XB1 - 2300 - 609		1	SCREW,MACH.,TRUSS HEAD,M3X6	
504	XB1 - 2300 - 609		4	SCREW,MACH.,TRUSS HEAD,M3X6	
505	XB2 - 7400 - 609		1	SCREW,W/WASHER,M4X6	
506	XB3 - 6400 - 800		1	SCREW,RS,M4X8	
507	XB3 - 6400 - 800		6	SCREW,RS,M4X8	
508	XB3 - 6400 - 800		19	SCREW,RS,M4X8	
509	XB3 - 6400 - 800		51	SCREW,RS,M4X8	
510	XB3 - 6401 - 205		1	SCREW,RS,M4X12	
511	XB6 - 2400 - 508		4	SETSCREW,M4X5	
512	XB6 - 7300 - 409		2	SCREW,TP,M3X4	
513	XD1 - 4200 - 602		1	WASHER, TOOTHED LOCK (SUS)	
514	XD2 - 1100 - 642		2	RING,E	
515	XD2 - 1100 - 642		2	RING,E	
516	XD2 - 1100 - 642		4	RING,E	
517	XD3 - 1300 - 142		1	PIN,SPRING	

FIGURE 215 SCANNER MOUNT ASSEMBLY

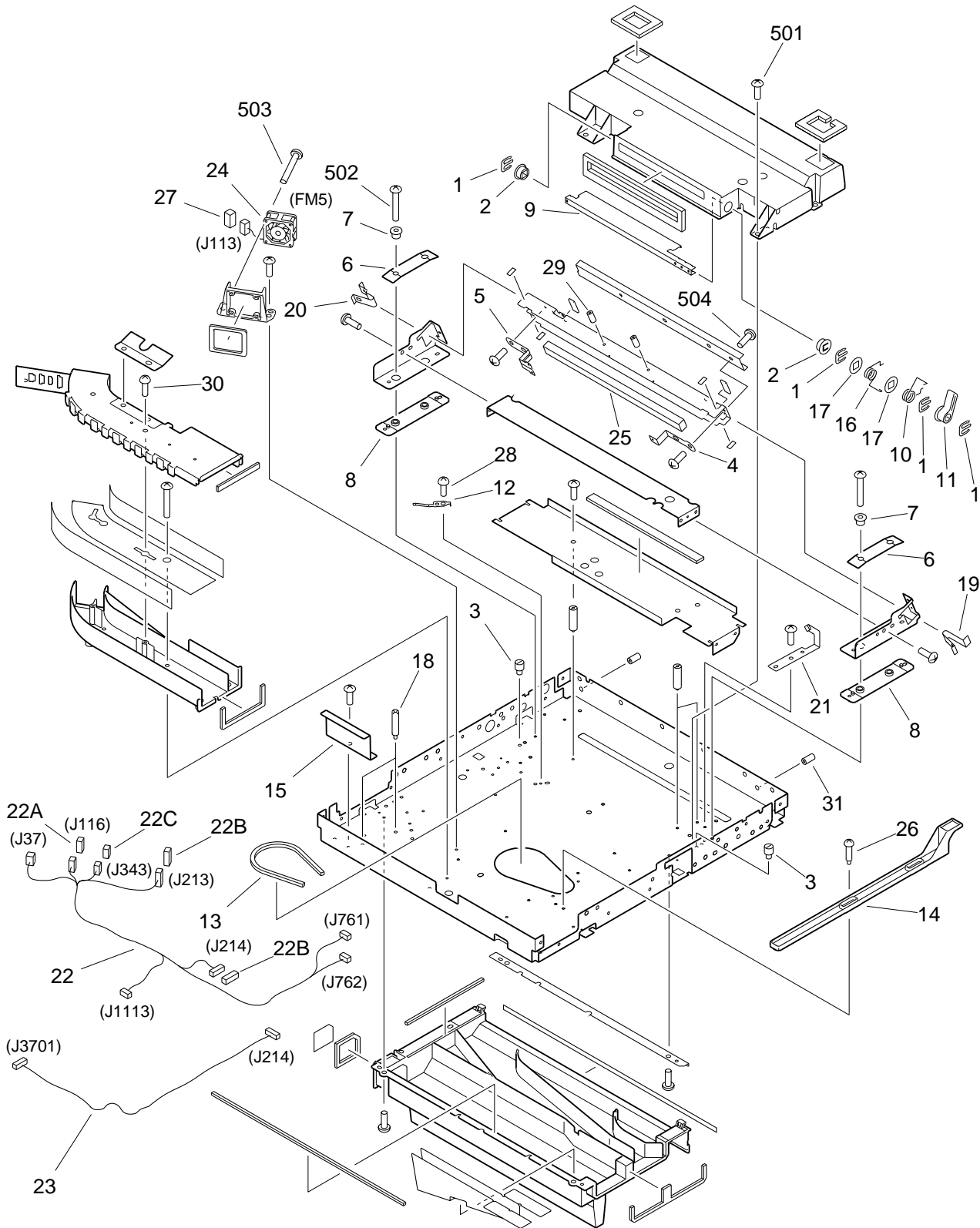
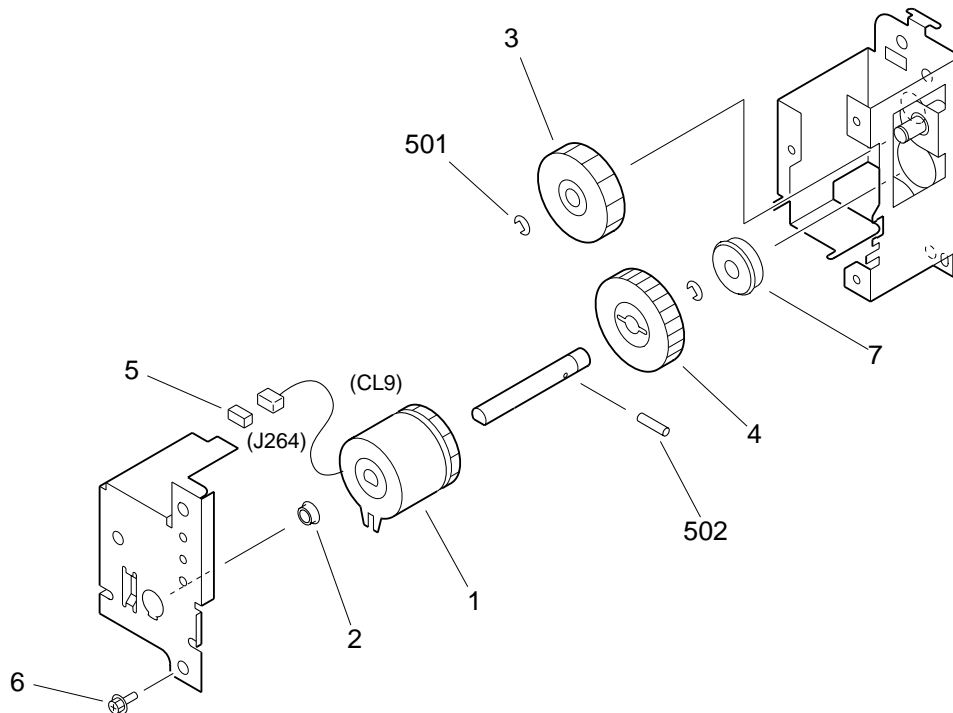


FIGURE & KEY NO.	PART NUMBER	RANK	QTY	DESCRIPTION	SERIAL NUMBER / REMARKS
215 -	NPN		RF	SCANNER MOUNT ASSEMBLY	
1	FA2 - 8361 - 000		4	RETAINER	
2	FB2 - 1382 - 000		2	COLLAR	
3	FB4 - 1512 - 000		2	PIN, MIRROR SUPPORT	
4	FB4 - 1521 - 000		1	SPRING, LEAF, FRONT	
5	FB4 - 1522 - 000		1	SPRING, LEAF, REAR	
6	FB4 - 1532 - 000		2	SPRING, LEAF	
7	FB4 - 1533 - 000		4	SPACER	
8	FB4 - 1534 - 000		2	PLATE, SUPPORT	
9	FB4 - 1538 - 000		1	PLATE, SHUTTER	
10	FB4 - 1539 - 020		1	SPRING, TORSION	
11	FB4 - 1540 - 000		1	ARM, SHUTTER	
12	FB4 - 1546 - 000		1	PLATE, GROUNDING	
13	FB4 - 1550 - 000		1	CUSHION, RUBBER	
14	FB4 - 1554 - 000		1	PLATE, SHUTTER SLIDE	
15	FB4 - 1564 - 000		1	COVER, IMAGE PROCESSOR CABLE	
16	FB5 - 4346 - 000		1	SPRING, TORSION	
17	FB5 - 4347 - 000		2	WASHER, SHUTTER	
18	FB5 - 7042 - 000		2	SPACER, CABLE SUPPORT	
19	FB5 - 8809 - 000		1	SPRING, LEAF, FRONT	
20	FB5 - 8810 - 000		1	SPRING, LEAF, REAR	
21	FF5 - 7717 - 000		1	MIRROR, BEAM DETECTOR	
22	FG6 - 1826 - 000		1	CABLE, LENS MOUNT INTERNAL	J37,116,213,214,343 J761,762,1113
22 A	VS1 - 5057 - 004		1	CONNECTOR, SNAP TIGHT	J116
22 B	VS1 - 5057 - 006		2	CONNECTOR, SNAP TIGHT	J213,214
22 C	VS1 - 6318 - 004		1	CONNECTOR, SNAP TIGHT	J343
23	FG6 - 7202 - 000		1	CABLE, BEAM DETECT	J214,3701
24	FH6 - 1547 - 000		1	FAN, COOLING	FM5 J113
25	FN5 - 4009 - 000		1	MIRROR, DIGITAL	
26	FS2 - 9001 - 000		2	SCREW, STEPPED, M4	

FIGURE & KEY NO.	PART NUMBER	RANK	QTY	DESCRIPTION	SERIAL NUMBER / REMARKS
215 - 27	VS1 - 5057 - 003		1	CONNECTOR, SNAP TIGHT	J113
28	XA9 - 0265 - 000		1	SCREW,W/WASHER,TRUSS HEAD	
29	XA9 - 0427 - 000		2	SETSCREW,M4X8	
30	XA9 - 0870 - 000		2	SCREW,M4X10	
31	XA9 - 1091 - 000		2	SETSCREW,M4X8	
5 0 1	XB1 - 2400 - 609		17	SCREW,MACH.,TRUSS HEAD,M4X6	
5 0 2	XB1 - 2401 - 409		6	SCREW,MACH.,TRUSS HEAD,M4X14	
5 0 3	XB4 - 7303 - 007		2	SCREW,TAPPING,TRUSS HEAD,M3X30	
5 0 4	XB6 - 7400 - 609		4	SCREW,TP,M4X6	

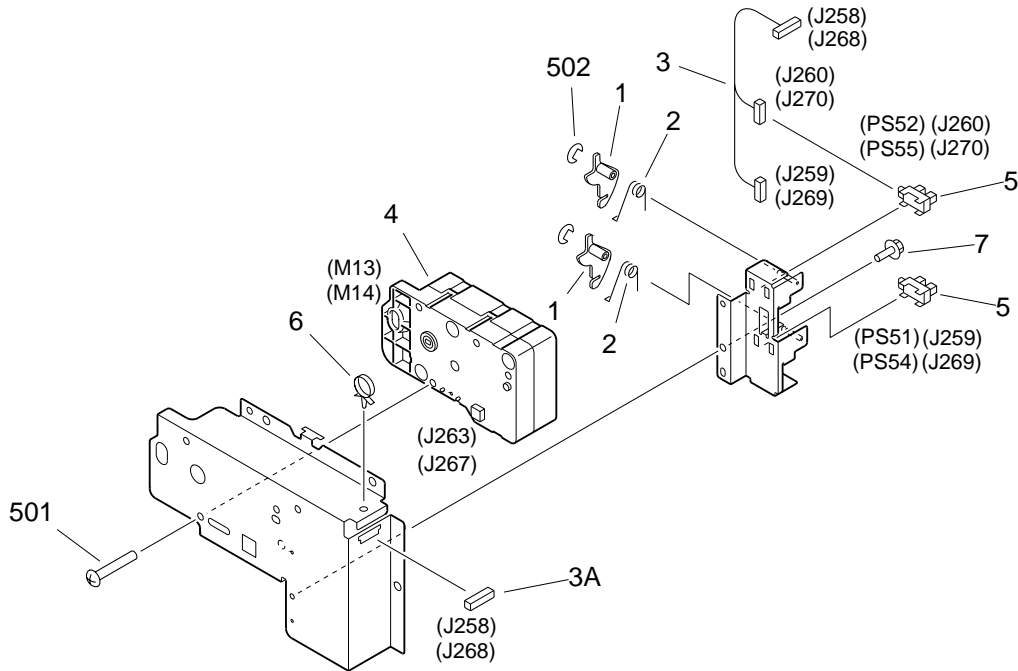
FIGURE 230 VERTICAL PATH DRIVE ASSEMBLY



NOTE: This assembly does not include the part shown with key No.5.

FIGURE & KEY NO.	PART NUMBER	RANK	QTY	DESCRIPTION	SERIAL NUMBER / REMARKS
230 -	FG6 - 2017 - 000		1	VERTICAL PATH DRIVE ASSEMBLY	
1	FH7 - 5826 - 000		1	CLUTCH, ELECTROMAGNETIC	CL9 J264
2	FS1 - 1189 - 000		1	BUSHING	
3	FS3 - 0165 - 000		1	GEAR, 40T	
4	FS5 - 0398 - 000		1	GEAR, 40T	
5	VS1 - 5057 - 002		1	CONNECTOR, SNAP TIGHT	SEE NOTE J264
6	XA9 - 0628 - 000		3	SCREW,RS,M4X8	
7	XG9 - 0249 - 000		1	BEARING, BALL	
501	XD2 - 1100 - 642		2	RING,E	
502	XD3 - 2200 - 162		1	PIN,DOWEL	

FIGURE 231 LIFTER DRIVE ASSEMBLY



NOTE: This assembly does not include the part shown with key No.6.

FIGURE & KEY NO.	PART NUMBER	RANK	QTY	DESCRIPTION	SERIAL NUMBER / REMARKS
231 -	FG6 - 2243 - 000		2	LIFTER DRIVE ASSEMBLY	
1	FB2 - 9248 - 000		2	ARM, PAPER SENSOR	
2	FB5 - 0553 - 000		2	SPRING, TORSION	
3	FG6 - 1888 - 000		1	CABLE, DECK SENSOR	J258-260 J268-270
3A	VS1 - 5057 - 006		1	CONNECTOR, SNAP TIGHT	J258,268
4	FH6 - 1541 - 000		1	MOTOR, DC 19.2W	M13,14 J263,267
5	FH7 - 7462 - 000		2	PHOTO-INTERRUPTER	PS51,52,54,55 J259,260,269,270
6	WT2 - 5565 - 000		1	CLAMP, CABLE	SEE NOTE
7	XA9 - 0628 - 000		1	SCREW,RS,M4X8	
501	XB5 - 6401 - 609		3	SCREW,CT,M4X16	
502	XD2 - 1100 - 242		2	RING,E	

FIGURE 250 MAIN DRIVE ASSEMBLY

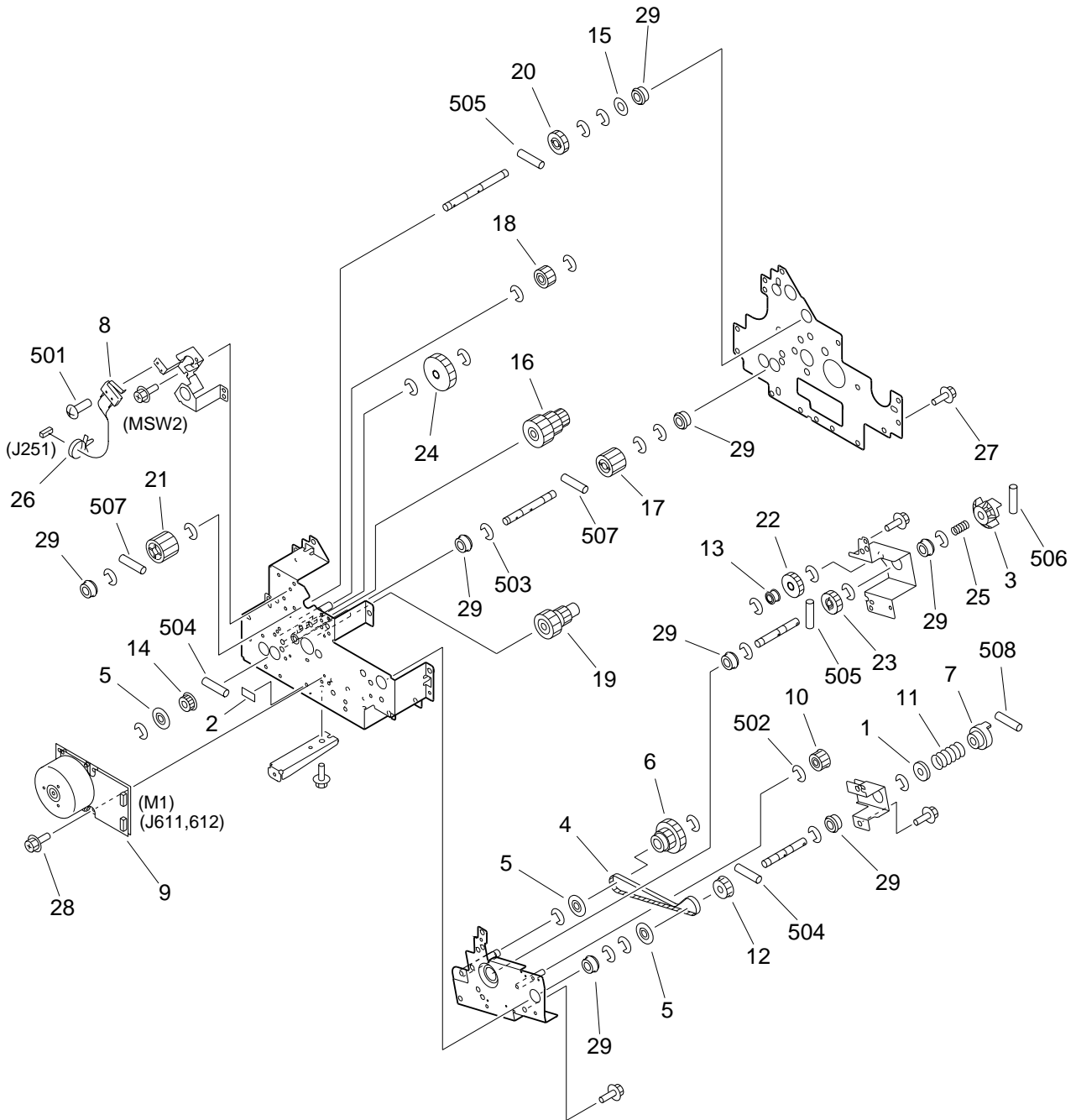


FIGURE & KEY NO.	PART NUMBER	RANK	QTY	DESCRIPTION	SERIAL NUMBER / REMARKS
250 -	FG6 - 7326 - 000		1	MAIN DRIVE ASSEMBLY	
1	FA6 - 8304 - 000		1	WASHER, SPRING	
2	FA9 - 3805 - 000		1	LABEL, DISCRIMINATE	
3	FB2 - 1047 - 000		1	COUPLING, INPUT	
4	FB4 - 1766 - 000		1	BELT, TIMING	
5	FB4 - 1806 - 000		2	FLANGE	
6	FB5 - 6895 - 000		1	GEAR, 38T/36T/PULLY, 22T	
7	FB6 - 0581 - 000		1	COUPLING	
8	FG6 - 6903 - 000		1	CABLE, WASTE TONER SWITCH	MSW2 J251
9	FH6 - 1868 - 000		1	MOTOR, BRUSHLESS	M1 J611,612
10	FS2 - 3495 - 000		1	PULLEY	
11	FS5 - 2978 - 000		1	SPRING, COMPRESSION	
12	FS5 - 3609 - 000		1	PULLEY, 22T	
13	FS5 - 3612 - 000		1	PULLEY	
14	FS5 - 3890 - 000		1	PULLT, 18T	
15	FS5 - 6487 - 000		1	SHIM	
16	FS7 - 0012 - 000		1	GEAR, 50T/24T/18T	
17	FS7 - 0014 - 000		1	GEAR, 24T	
18	FS7 - 0016 - 000		1	GEAR, 20T	
19	FS7 - 0017 - 000		1	GEAR, 18T/27T	
20	FS7 - 0018 - 000		1	GEAR, 24T	
21	FS7 - 0019 - 000		1	GEAR, 26T	
22	FS7 - 0896 - 000		1	GEAR, 44T	
23	FS7 - 0897 - 000		1	GEAR, 40T	
24	FS7 - 0898 - 000		1	GEAR, 39T	
25	FS7 - 2531 - 000		1	SPRING, COMPRESSION	
26	WT2 - 5565 - 000		1	CLAMP, CABLE	
27	XA9 - 0628 - 000		12	SCREW, RS, M4X8	
28	XA9 - 1030 - 000		4	SCREW, RS, M4X12	
29	XG9 - 0250 - 000		10	BEARING, BALL	

FIGURE & KEY NO.	PART NUMBER	RANK	QTY	DESCRIPTION	SERIAL NUMBER / REMARKS
250 - 501	XB1 - 2231 - 009		1	SCREW,MACH.,TRUSS HEAD,M2.3X10	
502	XD2 - 1100 - 502		1	RING,E	
503	XD2 - 1100 - 642		18	RING,E	
504	XD3 - 2200 - 122		2	PIN,DOWEL	
505	XD3 - 2200 - 142		2	PIN,DOWEL	
506	XD3 - 2200 - 162		2	PIN,DOWEL	
507	XD3 - 2200 - 182		2	PIN,DOWEL	
508	XD3 - 2300 - 142		1	PIN,DOWEL	

FIGURE 251 DRUM DRIVE ASSEMBLY

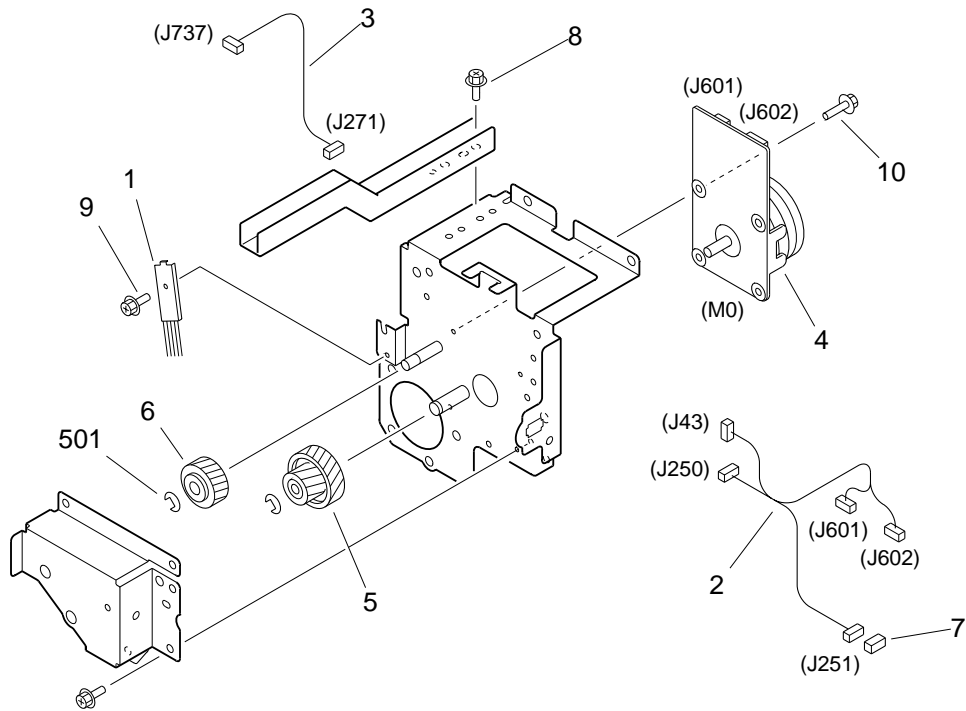


FIGURE & KEY NO.	PART NUMBER	RANK	QTY	DESCRIPTION	SERIAL NUMBER / REMARKS
251 -	FG6 - 7325 - 000		1	DRUM DRIVE ASSEMBLY	
1	FC1 - 1117 - 000		1	ELIMINATOR, STATIC CHARGE	
2	FG6 - 1894 - 000		1	CABLE, DRUM MOTOR DRIVE	J43,250,251,601,602
3	FG6 - 3570 - 000		1	CABLE, SEPARATION CLAW CONNECT	J271,737
4	FH6 - 1867 - 000		1	MOTOR, BRUSHLESS	M0 J601,602
5	FS7 - 0010 - 000		1	GEAR, 19T/63T	
6	RS6 - 0057 - 000		1	GEAR, 49T	
7	VS1 - 5057 - 002		1	CONNECTOR, SNAP TIGHT	J251
8	XA9 - 0628 - 000		7	SCREW,RS,M4X8	
9	XA9 - 0813 - 000		1	SCREW,RS,M3X8	
10	XA9 - 0962 - 000		4	SCREW,RS,M3X10	
501	XD2 - 1100 - 642		2	RING,E	

FIGURE 260 PAPER PICK-UP DRIVE ASSEMBLY

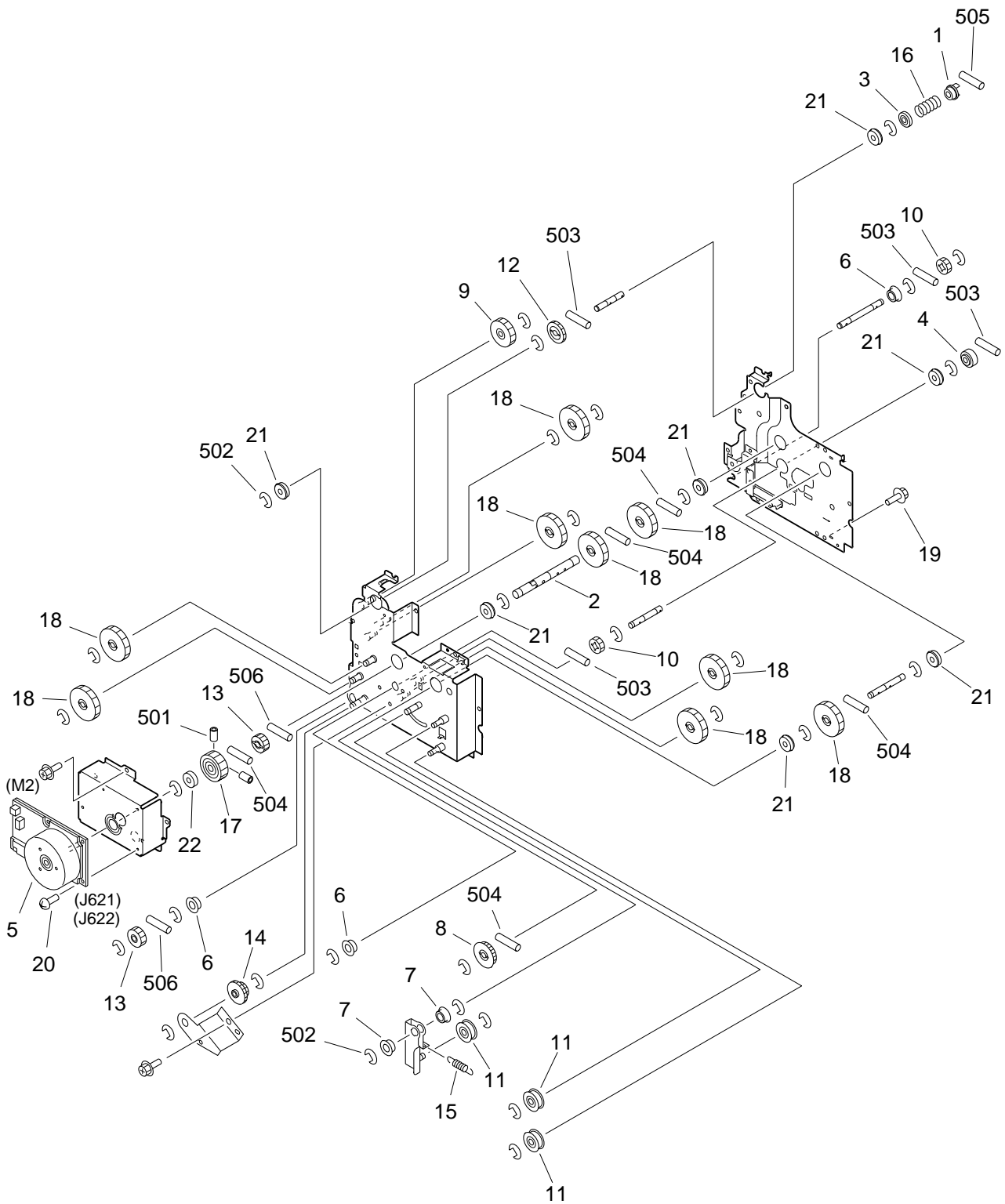


FIGURE & KEY NO.	PART NUMBER	RANK	QTY	DESCRIPTION	SERIAL NUMBER / REMARKS
260 -	FG6 - 7329 - 000		1	PAPER PICK-UP DRIVE ASSEMBLY	
1	FB2 - 7841 - 000		1	COUPLING, REGISTRATION	
2	FB4 - 3723 - 020		1	SHAFT, INPUT	
3	FB4 - 3728 - 000		1	SUPPORT, COUPLING	
4	FB4 - 3729 - 000		1	COUPLING	
5	FH6 - 1870 - 000		1	MOTOR, BRUSHLESS	M2 J621,622
6	FS1 - 1189 - 000		3	BUSHING	
7	FS1 - 1449 - 000		2	BUSHING	
8	FS2 - 3494 - 020		1	PULLEY, 39T	
9	FS3 - 0165 - 000		1	GEAR, 40T	
10	FS4 - 0145 - 000		2	GEAR, 20T	
11	FS5 - 3337 - 020		3	PULLEY, IDLER	
12	FS6 - 0056 - 000		1	GEAR, 32T	
13	FS6 - 0062 - 000		2	GEAR, 25T	
14	FS6 - 0096 - 000		1	GEAR, 20T/32T	
15	FS6 - 2776 - 000		1	SPRING, TENSION	
16	FS6 - 2999 - 000		1	SPRING, COMPRESSION	
17	FS7 - 0035 - 020		1	GEAR, 68T	
18	FS7 - 0036 - 000		9	GEAR, 50T	
19	XA9 - 0628 - 000		12	SCREW,RS,M4X8	
20	XA9 - 1030 - 000		4	SCREW, RS, M4X12	
21	XG9 - 0249 - 000		7	BEARING, BALL	
22	XG9 - 0250 - 000		1	BEARING, BALL	
501	XB6 - 2401 - 008		2	SETSCREW,M4X10	
502	XD2 - 1100 - 642		31	RING,E	
503	XD3 - 2200 - 142		4	PIN,DOWEL	
504	XD3 - 2200 - 162		5	PIN,DOWEL	
505	XD3 - 2300 - 142		1	PIN,DOWEL	
506	XD3 - 2300 - 182		2	PIN,DOWEL	

FIGURE 261 CASSETTE PICK-UP DRIVE ASSEMBLY

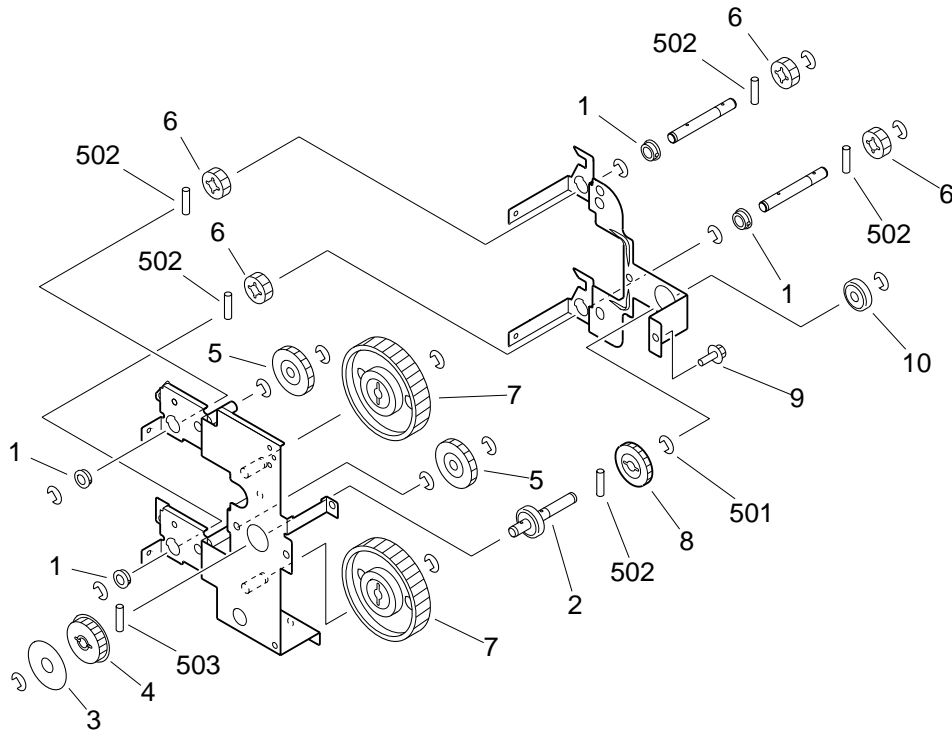


FIGURE & KEY NO.	PART NUMBER	RANK	QTY	DESCRIPTION	SERIAL NUMBER / REMARKS
261 -	FG5 - 4449 - 050		1	CASSETTE PICK-UP DRIVE ASS'Y	
1	FA9 - 2112 - 000		4	BUSHING	
2	FB3 - 8615 - 000		1	SHAFT, PICK-UP PULLEY	
3	FB3 - 8616 - 000		1	FLANGE	
4	FS2 - 3494 - 020		1	PULLEY, 39T	
5	FS4 - 0014 - 000		2	GEAR, 36T	
6	FS4 - 0145 - 000		4	GEAR, 20T	
7	FS6 - 0055 - 000		2	GEAR, 76T	
8	FS6 - 0056 - 000		1	GEAR, 32T	
9	XA9 - 0628 - 000		3	SCREW,RS,M4X8	
10	XG9 - 0208 - 000		1	BEARING, BALL	
501	XD2 - 1100 - 642		15	RING,E	
502	XD3 - 2200 - 142		5	PIN,DOWEL	
503	XD3 - 2200 - 162		1	PIN,DOWEL	

FIGURE 263 LEFT PICK-UP DRIVE ASSEMBLY

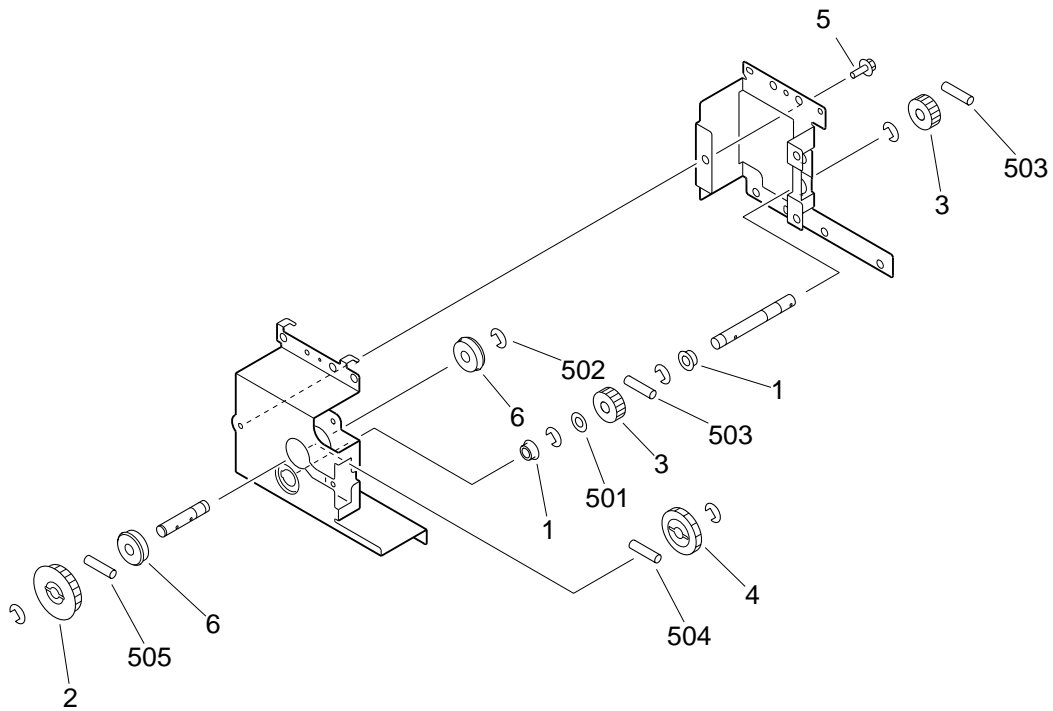
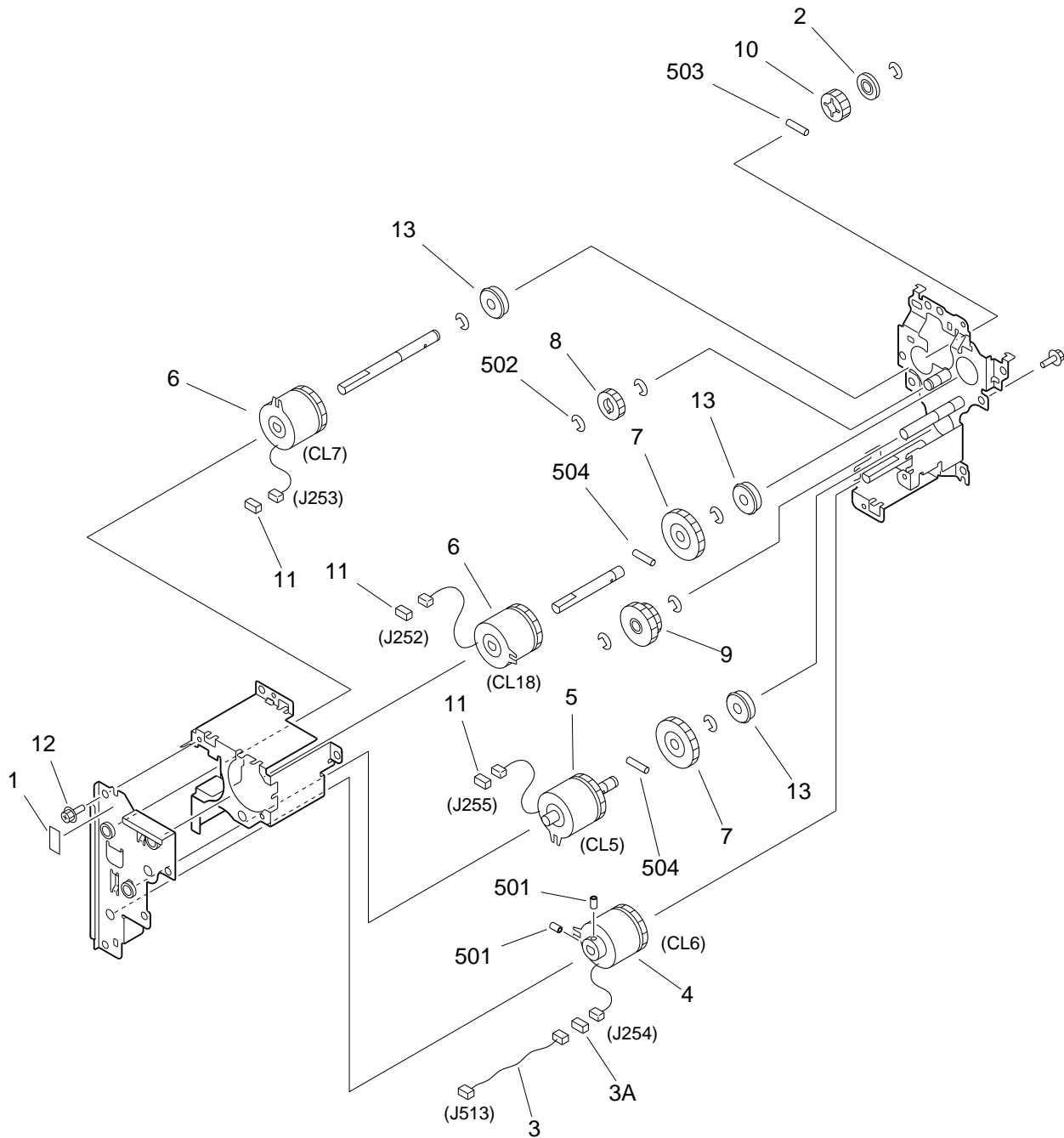


FIGURE & KEY NO.	PART NUMBER	RANK	QTY	DESCRIPTION	SERIAL NUMBER / REMARKS
263 -	FG6 - 1996 - 000		1	LEFT PICK-UP DRIVE ASSEMBLY	
1	FS1 - 1189 - 000		2	BUSHING	
2	FS2 - 3494 - 020		1	PULLEY, 39T	
3	FS5 - 0514 - 000		2	GEAR, 20T	
4	FS6 - 0056 - 000		1	GEAR, 32T	
5	XA9 - 0628 - 000		5	SCREW,RS,M4X8	
6	XG9 - 0249 - 000		2	BEARING, BALL	
501	XD1 - 1108 - 219		1	SHIM	
502	XD2 - 1100 - 642		6	RING,E	
503	XD3 - 2200 - 122		2	PIN,DOWEL	
504	XD3 - 2200 - 142		1	PIN,DOWEL	
505	XD3 - 2200 - 162		1	PIN,DOWEL	

FIGURE 264 MULTI FEED DRIVE ASSEMBLY



NOTE: This assembly does not include the part shown with key No.11.

FIGURE & KEY NO.	PART NUMBER	RANK	QTY	DESCRIPTION	SERIAL NUMBER / REMARKS
264 -	FG6 - 7330 - 000		1	MULTI FEED DRIVE ASSEMBLY	
1	FA9 - 3805 - 000		1	LABEL, DISCRIMINATE	
2	FB4 - 3767 - 000		1	COLLAR, PUSH-ON	
3	FG6 - 3572 - 000		1	CABLE, MULTI FEED DRIVE	J254,271
3 A	VS1 - 5057 - 002		1	CONNECTOR, SNAP TIGHT	J254
4	FH6 - 5014 - 000		1	CLUTCH, ELECTROMAGNETIC	CL6 J254
5	FH6 - 5016 - 000		1	CLUTCH, ELECTROMAGNETIC	CL5 J255
6	FH7 - 5826 - 000		2	CLUTCH, ELECTROMAGNETIC	CL7,18 J253,252
7	FS4 - 0014 - 000		2	GEAR, 36T	
8	FS6 - 0053 - 020		1	GEAR, 20T	
9	FS7 - 0033 - 000		1	GEAR, 24T/30T	
10	FS7 - 0034 - 000		1	GEAR, 20T	
11	VS1 - 5057 - 002		3	CONNECTOR, SNAP TIGHT	SEE NOTE J252,253,255
12	XA9 - 0628 - 000		7	SCREW,RS,M4X8	
13	XG9 - 0249 - 000		3	BEARING, BALL	
501	XB6 - 2400 - 608		2	SETSCREW,M4X6	
502	XD2 - 1100 - 642		9	RING,E	
503	XD3 - 2200 - 122		1	PIN,DOWEL	
504	XD3 - 2200 - 162		2	PIN,DOWEL	

FIGURE 270 DEVELOPING DRIVE ASSEMBLY

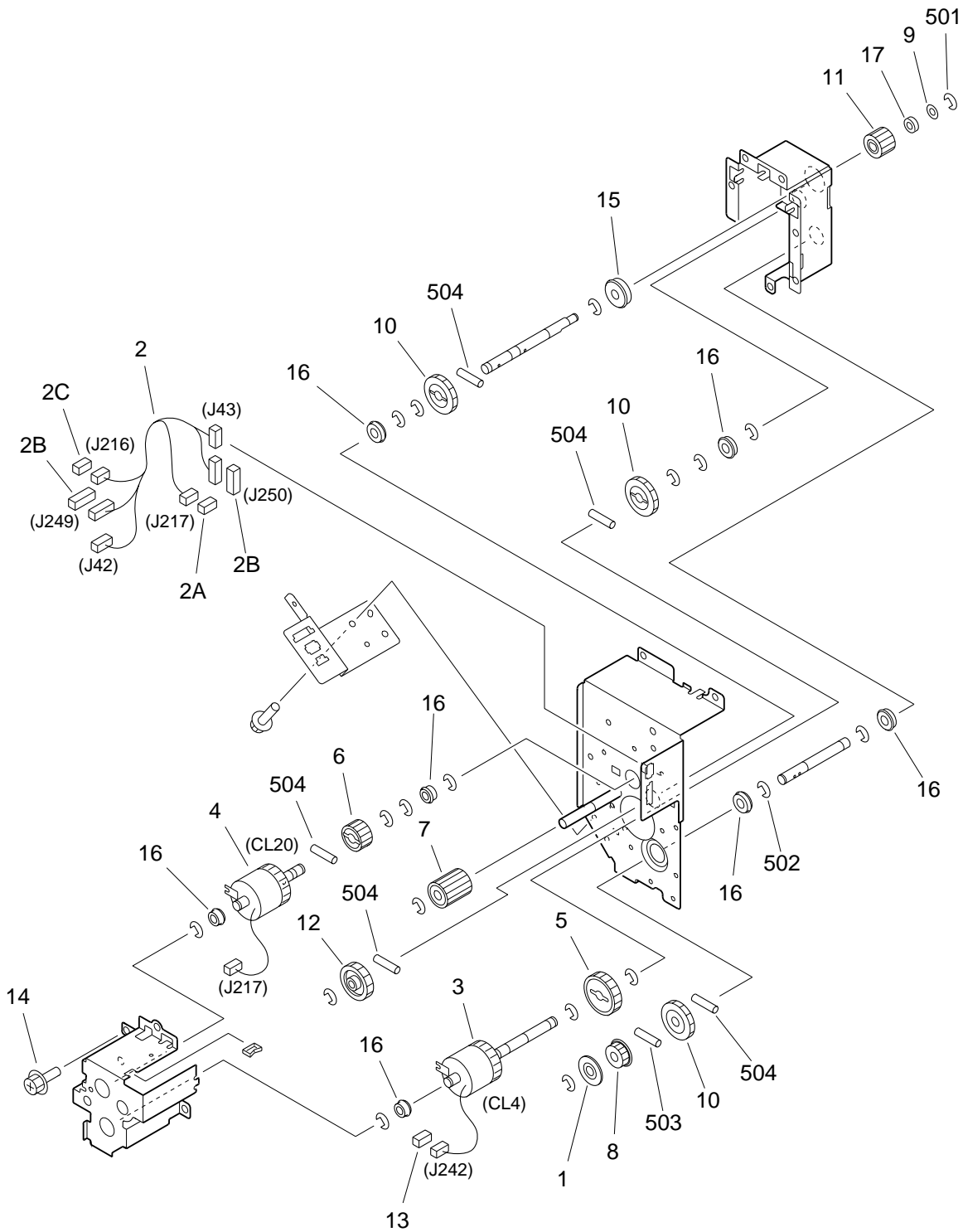
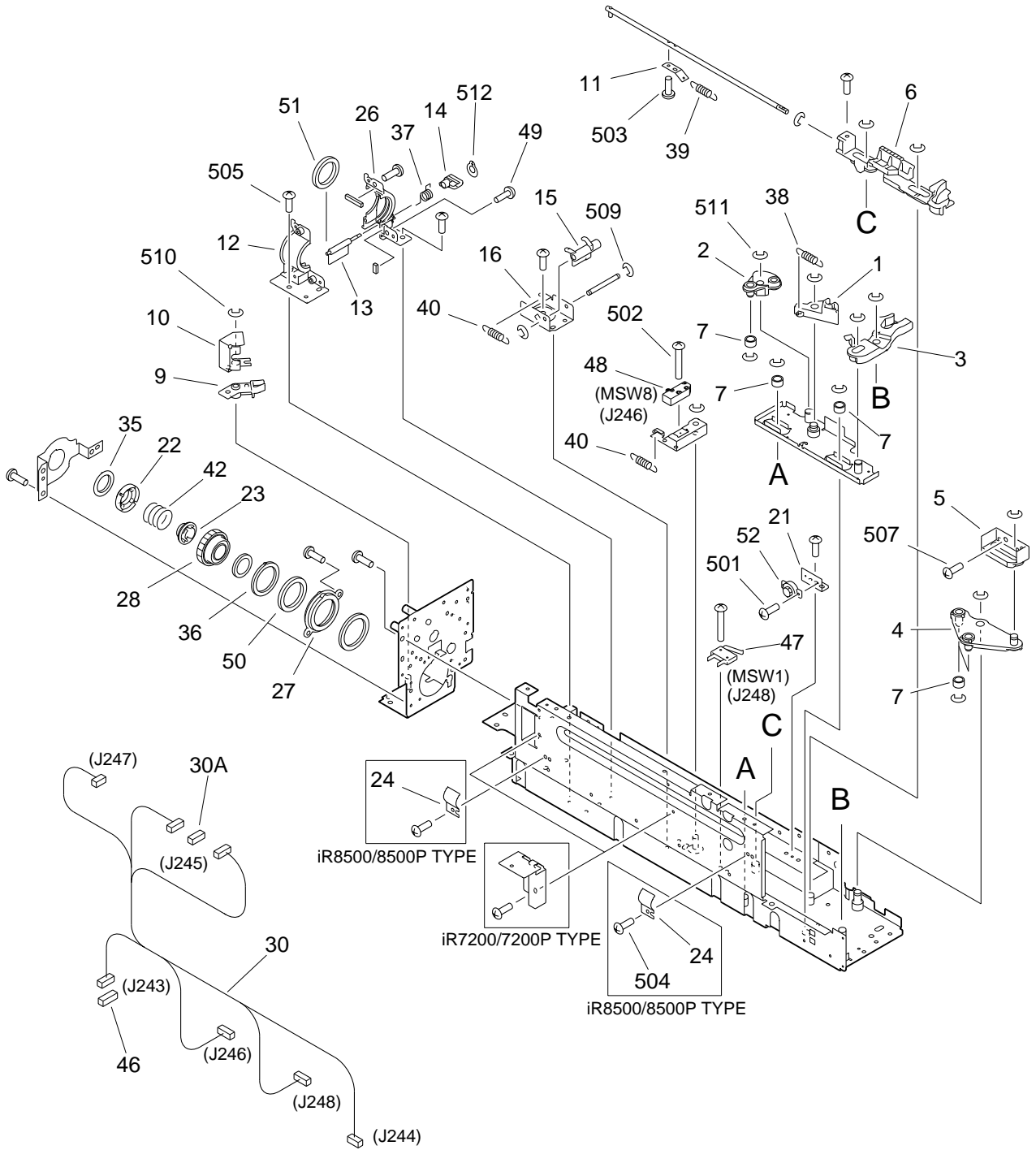


FIGURE & KEY NO.	PART NUMBER	RANK	QTY	DESCRIPTION	SERIAL NUMBER / REMARKS
270 -	FG6 - 7327 - 000		1	DEVELOPING DRIVE ASSEMBLY	
1	FB4 - 1806 - 000		1	FLANGE	
2	FG6 - 7214 - 000		1	CABLE, MAIN DRIVE	J42,43,216,217,249 J250
2A	VS1 - 5057 - 002		1	CONNECTOR, SNAP TIGHT	J217
2B	VS1 - 5057 - 007		2	CONNECTOR, SNAP TIGHT	J249,250
2C	VS1 - 6318 - 002		1	CONNECTOR, SNAP TIGHT	J216
3	FH6 - 5015 - 000		1	CLUTCH, ELECTROMAGNETIC	CL4 J242
4	FH6 - 5017 - 000		1	CLUTCH, ELECTROMAGNETIC	CL20 J217
5	FS2 - 0485 - 000		1	GEAR, 32T	
6	FS3 - 0046 - 000		1	GEAR, 20T	
7	FS4 - 0157 - 000		1	GEAR, 20T	
8	FS5 - 3889 - 000		1	PULLEY, 20T	
9	FS5 - 6488 - 000		1	WASHER	
10	FS6 - 0056 - 000		3	GEAR, 32T	
11	FS7 - 0015 - 000		1	GEAR, 23T	
12	FS7 - 0072 - 000		1	GEAR, 27T	
13	VS1 - 5057 - 002		1	CONNECTOR, SNAP TIGHT	J242
14	XA9 - 0628 - 000		11	SCREW,RS,M4X8	
15	XG9 - 0249 - 000		1	BEARING, BALL	
16	XG9 - 0250 - 000		7	BEARING, BALL	
17	XG9 - 0395 - 000		1	BEARING, BALL	
501	XD2 - 1100 - 502		1	RING,E	
502	XD2 - 1100 - 642		13	RING,E	
503	XD3 - 2200 - 122		1	PIN,DOWEL	
504	XD3 - 2200 - 142		5	PIN,DOWEL	

FIGURE 275 TONER CARTRIDGE DRIVE ASSEMBLY(1/2)



NOTE: This assembly does not include the part shown with key No.46.

FIGURE 275 TONER CARTRIDGE DRIVE ASSEMBLY(2/2)

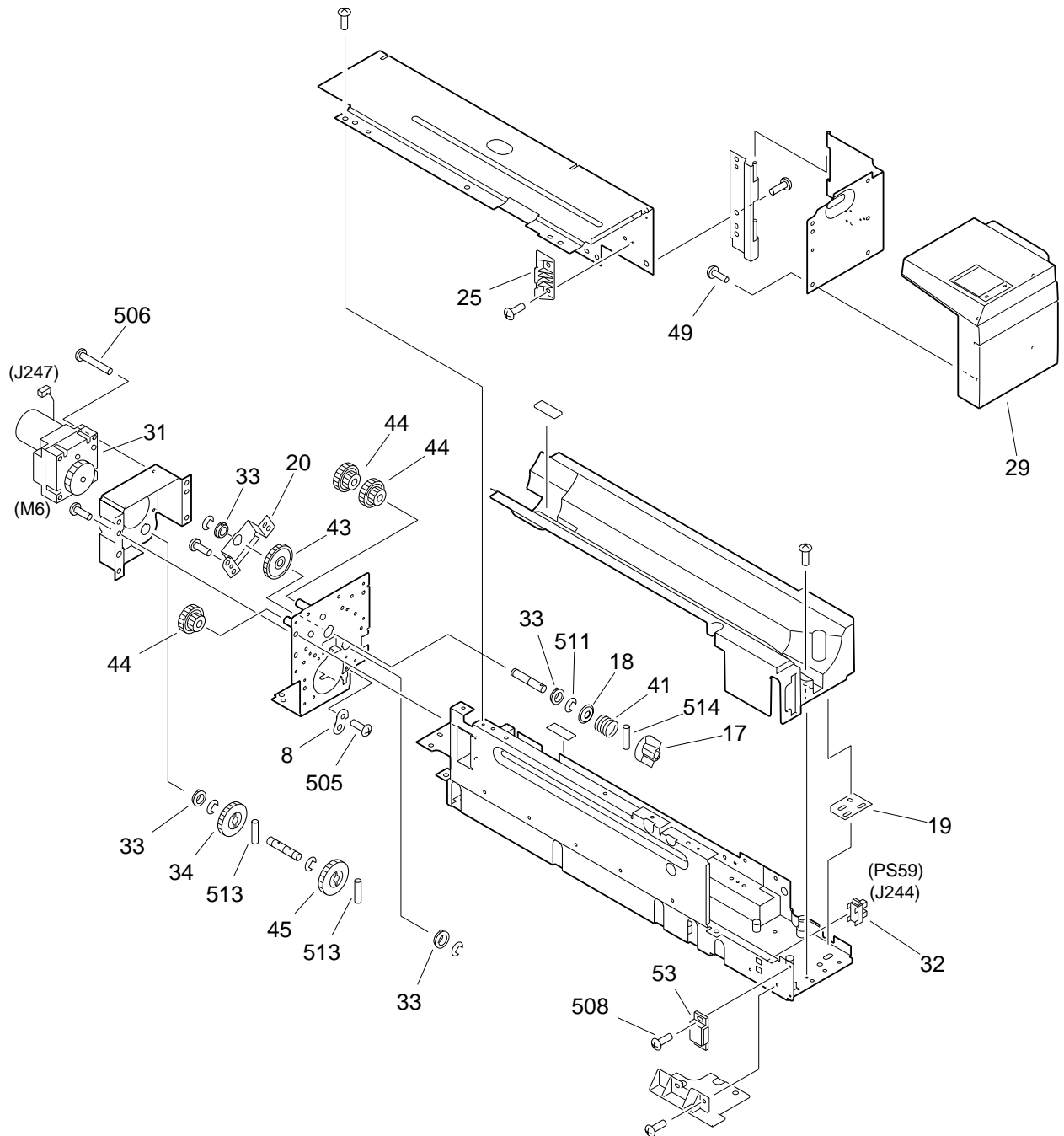


FIGURE & KEY NO.	PART NUMBER	RANK	QTY	DESCRIPTION	SERIAL NUMBER / REMARKS
275 -	FG6 - 7348 - 000		1	TONER CARTRIDGE DRIVE ASSEMBLY	iR8500/8500P TYPE
	FG6 - 7752 - 000		1	TONER CARTRIDGE DRIVE ASSEMBLY	iR7200/7200P TYPE
	1 FB4 - 1892 - 000		1	ARM, SEPARATION	
2	FB4 - 1893 - 000		1	HOLDER, BUSHING	
3	FB4 - 1894 - 000		1	LINK, CHUCK	
4	FB4 - 1895 - 000		1	LEVER, CAM	
5	FB4 - 1896 - 000		1	COVER, RAIL	
6	FB4 - 1899 - 000		1	MOUNT, SLIDE	
7	FB4 - 1900 - 000		5	ROLLER	
8	FB4 - 1901 - 000		1	BUSHING	
9	FB4 - 1902 - 000		1	MOUNT, CAP	
10	FB4 - 1903 - 000		1	PLATE, CHUCK CAP	
11	FB4 - 1904 - 000		1	PLATE, SHAFT SUPPORT	
12	FB4 - 1913 - 000		1	MOUNT, RUBBER, LEFT	
13	FB4 - 1915 - 000		1	SHUTTER	
14	FB4 - 1916 - 000		1	LEVER, SHUTTER	
15	FB4 - 1924 - 000		1	LEVER, SENSOR	
16	FB4 - 1925 - 000		1	MOUNT, LEVER	
17	FB4 - 1926 - 000		1	COUPLING	
18	FB4 - 1927 - 000		1	SUPPORT, SPRING	
19	FB4 - 5309 - 000		1	PLATE, HINGE ADJUSTING	
20	FB4 - 5310 - 000		1	MOUNT, SHAFT	
21	FB4 - 9026 - 000		1	PLATE, DAMPER SUPPORT	
22	FB4 - 9027 - 000		1	GEAR, CAP, REAR	
23	FB4 - 9028 - 000		1	CLAW, DRIVE	
24	FB4 - 9514 - 000		2	PLATE, GROUNDING	iR8500/8500P TYPE
25	FB5 - 6877 - 000		1	GUIDE	iR8500/8500P TYPE
	FB4 - 1890 - 000		1	GUIDE	iR7200/7200P TYPE
26	FF5 - 7715 - 000		1	MOUNT, RUBBER, RIGHT	
27	FF5 - 8655 - 000		1	CASE, GEAR HOLDER	

FIGURE & KEY NO.	PART NUMBER	RANK	QTY	DESCRIPTION	SERIAL NUMBER / REMARKS
275 - 28	FF5 - 8732 - 000		1	GEAR, CAP, FRONT	
29	FF6 - 1086 - 000		1	COVER, CARTRIDGE, FRONT	
30	FG6 - 1889 - 020		1	CABLE, CARTRIDGE	J243-248
30 A	VS1 - 5057 - 002		1	CONNECTOR, SNAP TIGHT	J245
31	FH6 - 1538 - 000		1	MOTOR, DC 9.6W	M6 J247
32	FH7 - 7462 - 000		1	PHOTO-INTERRUPTER	PS59 J244
33	FS1 - 1510 - 000		4	BUSHING	
34	FS3 - 0098 - 000		1	GEAR, 35T	
35	FS5 - 1796 - 000		1	SUPPORT, CAP GEAR, REAR	
36	FS5 - 1802 - 000		1	SUPPORT, CAP GEAR, FRONT	
37	FS5 - 2901 - 000		1	SPRING, TORSION	
38	FS6 - 2763 - 000		1	SPRING, TENSION	
39	FS6 - 2764 - 000		1	SPRING, TENSION	
40	FS6 - 2774 - 000		2	SPRING, TENSION	
41	FS6 - 2887 - 000		1	SPRING, COMPRESSION	
42	FS6 - 2998 - 000		1	SPRING, COMPRESSION	
43	FS7 - 0043 - 000		1	GEAR, 36T	
44	FS7 - 0044 - 000		3	GEAR, 16T/28T	
45	FS7 - 0051 - 000		1	GEAR, 36T	
46	VS1 - 5057 - 007		1	CONNECTOR, SNAP TIGHT	SEE NOTE J243
47	WC4 - 5153 - 000		1	MICRO SWITCH	MSW1 J248
48	WC4 - 5157 - 000		1	MICRO SWITCH	MSW8 J246
49	XA9 - 0605 - 000		6	SCREW,M4X8	
50	XG9 - 0175 - 000		1	SEAL, OIL	
51	XG9 - 0385 - 000		1	PACKING	
52	XH9 - 0090 - 000		1	OIL DAMPER UNIT	
53	XZ9 - 0472 - 000		1	CATCH, MAGNET	
501	XB1 - 1200 - 405		2	SCREW,MACH.,PAN HEAD,M2X4	
502	XB1 - 2231 - 009		2	SCREW,MACH.,TRUSS HEAD,M2.3X10	
503	XB1 - 2300 - 609		3	SCREW,MACH.,TRUSS HEAD,M3X6	

FIGURE & KEY NO.	PART NUMBER	RANK	QTY	DESCRIPTION	SERIAL NUMBER / REMARKS
275 - 504	XB1 - 2400 - 607		2	SCREW,MACH.,TRUSS HEAD,M4X6	
505	XB1 - 2400 - 609		33	SCREW,MACH.,TRUSS HEAD,M4X6	
506	XB1 - 2402 - 509		3	SCREW,MACH.,TRUSS HEAD,M4X25	
507	XB2 - 8400 - 809		2	SCREW,W/WASHER,M4X8	
508	XB6 - 7300 - 809		2	SCREW,TP,M3X8	
509	XD2 - 1100 - 322		2	RING,E	
510	XD2 - 1100 - 502		6	RING,E	
511	XD2 - 1100 - 642		15	RING,E	
512	XD2 - 2100 - 302		1	RING,GRIP	
513	XD3 - 2200 - 142		2	PIN,DOWEL	
514	XD3 - 2300 - 122		1	PIN,DOWEL	

FIGURE 280 WASTE TONER DRIVE ASSEMBLY

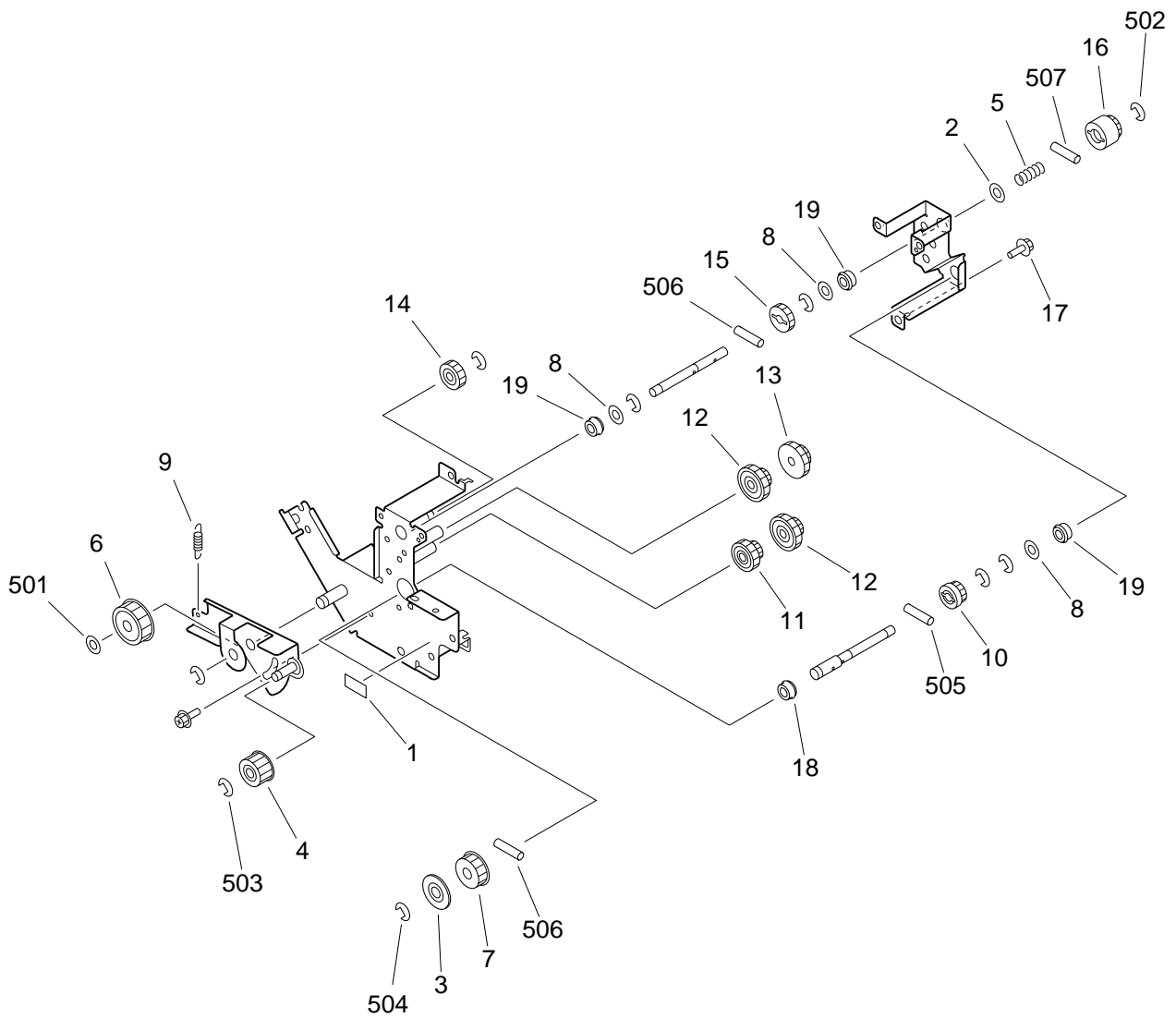


FIGURE & KEY NO.	PART NUMBER	R A N K	Q' T Y	DESCRIPTION	SERIAL NUMBER / REMARKS
280 -	FG6 - 7328 - 000		1	WASTE TONER DRIVE ASSEMBLY	
1	FA9 - 3805 - 000		1	LABEL, DISCRIMINATE	
2	FB4 - 1762 - 000		1	RING, SPRING SUPPORT	
3	FB4 - 1806 - 000		1	FLANGE	
4	FS2 - 3495 - 000		1	PULLEY	
5	FS5 - 2959 - 000		1	SPRING, COMPRESSION	
6	FS5 - 3610 - 000		1	PULLEY, 30T	
7	FS5 - 3890 - 000		1	PULLT, 18T	
8	FS5 - 6488 - 000		3	WASHER	
9	FS6 - 2752 - 000		1	SPRING, TENSION	
10	FS7 - 0020 - 000		1	GEAR, 29T	
11	FS7 - 0021 - 000		1	GEAR, 24T/40T	
12	FS7 - 0022 - 000		2	GEAR, 24T/48T	
13	FS7 - 0023 - 000		1	GEAR, 28T/48T	
14	FS7 - 0024 - 000		1	GEAR, 36T	
15	FS7 - 0025 - 000		1	GEAR, 36T	
16	FS7 - 0026 - 000		1	GEAR, 18T	
17	XA9 - 0628 - 000		4	SCREW,RS,M4X8	
18	XG9 - 0250 - 000		1	BEARING, BALL	
19	XG9 - 0350 - 000		3	BALL BEARING, MF106ZZ1MC3	
501	XD1 - 1108 - 222		1	SHIM	
502	XD2 - 1100 - 322		1	RING,E	
503	XD2 - 1100 - 502		6	RING,E	
504	XD2 - 1100 - 642		2	RING,E	
505	XD3 - 2200 - 102		1	PIN,DOWEL	
506	XD3 - 2200 - 122		2	PIN,DOWEL	
507	XD3 - 2200 - 142		1	PIN,DOWEL	

FIGURE 300 CASSETTE

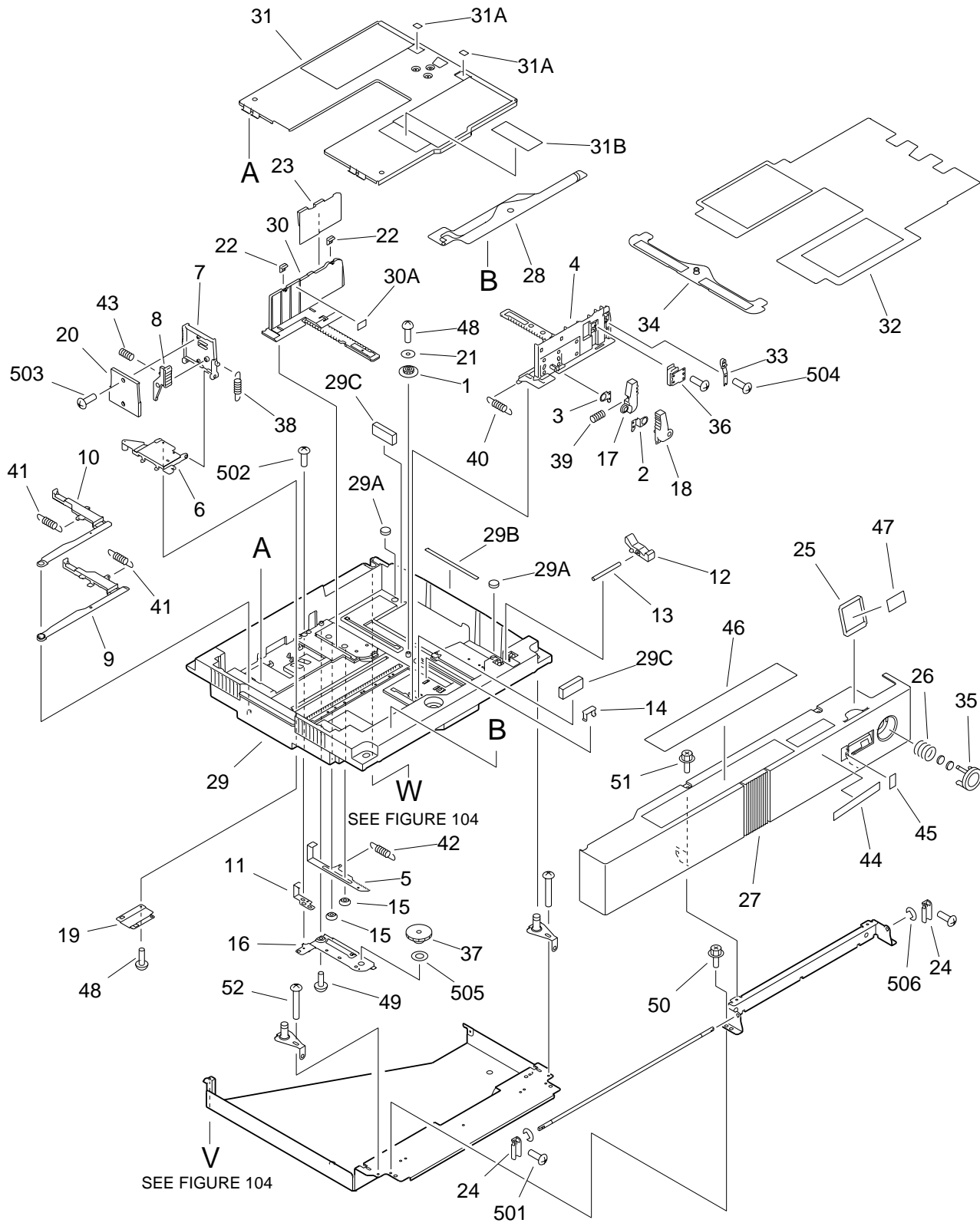
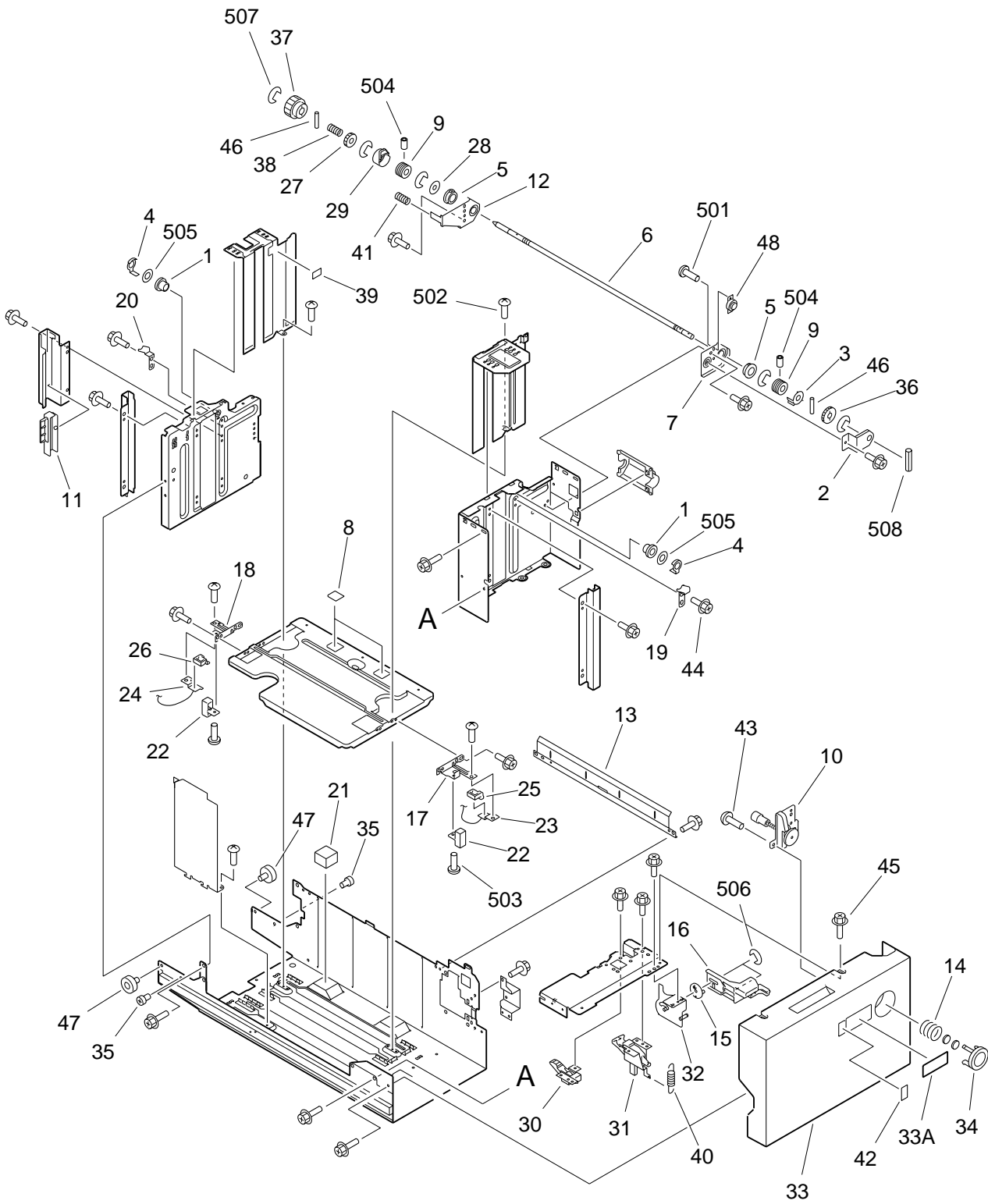


FIGURE & KEY NO.	PART NUMBER	RANK	QTY	DESCRIPTION	SERIAL NUMBER / REMARKS
300 -	NPN		RF	CASSETTE	
1	FA9 - 3674 - 000		1	GEAR, 17T	
2	FB2 - 6043 - 000		1	PLATE, CATCH, 1	
3	FB2 - 6044 - 000		1	PLATE, CATCH, 2	
4	FB3 - 9303 - 020		1	PLATE, SIDE GUIDE, FRONT	
5	FB3 - 9305 - 000		1	PLATE, VOLUME RACK	
6	FB3 - 9306 - 000		1	MOUNT, END GUIDE	
7	FB3 - 9307 - 000		1	PLATE, END GUIDE	
8	FB3 - 9308 - 000		1	LEVER, END GUIDE	
9	FB3 - 9311 - 000		1	CAM, END PLATE SENSING, 1	
10	FB3 - 9312 - 000		1	CAM, END PLATE SENSING, 2	
11	FB3 - 9313 - 000		1	PLATE, VOLUME	
12	FB3 - 9314 - 000		1	LEVER, RELEASE	
13	FB3 - 9315 - 000		1	SHAFT, RELEASE LEVER	
14	FB3 - 9316 - 000		3	CLAW, SENSING	
15	FB3 - 9319 - 000		2	BUSHING	
16	FB3 - 9320 - 000		1	PLATE, COVER, LOWER	
17	FB3 - 9322 - 020		1	KNOB, SIDE GUIDE, 1	
18	FB3 - 9323 - 030		1	KNOB, SIDE GUIDE, 2	
19	FB3 - 9326 - 000		1	PLATE, END GUIDE, LOWER	
20	FB3 - 9327 - 000		1	COVER, END GUIDE PLATE	
21	FB3 - 9335 - 000		1	RING, GEAR STOP	
22	FB3 - 9337 - 000		2	CLAW, SIDE GUIDE PLATE	
23	FB3 - 9340 - 000		1	COVER, SIDE GUIDE PLATE	
24	FB4 - 5253 - 000		2	LINK, CASSETTE	
25	FB5 - 1489 - 000		1	PLATE, SIZE	
26	FB5 - 3365 - 000		1	SPRING, COMPRESSION	
27	FB5 - 6987 - 000		1	COVER, CASSETTE, FRONT	
28	FB5 - 9351 - 000		1	SHEET, TAB ATTACHMENT	
29	FF5 - 6183 - 000	N	1	BODY, CASSETTE	

FIGURE & KEY NO.	PART NUMBER	RANK	QTY	DESCRIPTION	SERIAL NUMBER / REMARKS
300 - 29A	FB3 - 9321 - 000		2	SHEET, DAMPER	
29B	FB3 - 9329 - 000		1	LABEL, CASSETTE GRIP, RIGHT	
29C	FB3 - 9336 - 000		2	PAD, SILENCER	
30	FF5 - 6189 - 000		1	PLATE, SIDE GUIDE, REAR	
30A	FS5 - 8618 - 000		1	LABEL, "MAXIMUM LOAD"	
31	FF5 - 9550 - 000		1	PLATE, LIFTING	
31A	FB5 - 2841 - 000		2	SHEET, SEPARATION	
31B	FS5 - 8619 - 000		1	LABEL, SIZE	
32	FF6 - 1019 - 000		1	SHEET, TAB	
33	FF6 - 1034 - 000		1	SPRING, LEAF, 1	
34	FF6 - 1052 - 000		1	COVER, WEIGHT	A4 TYPE
	FF6 - 1051 - 000		1	COVER, WEIGHT	LTR TYPE
35	FF6 - 1054 - 000		1	BUTTON, PUSH	
36	FF6 - 1333 - 000		1	SPRING, LEAF, 2	
37	FS5 - 0532 - 000		1	GEAR, 15T/42T	
38	FS5 - 2328 - 000		1	SPRING, TENSION	
39	FS5 - 2650 - 000		1	SPRING, COMPRESSION	
40	FS6 - 2691 - 000		1	SPRING, TENSION	
41	FS6 - 2692 - 000		2	SPRING, TENSION	
42	FS6 - 2693 - 000		1	SPRING, TENSION	
43	FS6 - 2694 - 000		1	SPRING, COMPRESSION	
44	FS6 - 8411 - 000		1	LABEL, "UNIVERSAL"	
45	FS6 - 8980 - 000		1	LABEL, NUMBER	
46	FS6 - 8982 - 000		1	LABEL, CASSETTE OPERATION	
47	FS6 - 8990 - 000		1	LABEL, SIZE	
48	XA9 - 0591 - 000		3	SCREW, M3X8	
49	XA9 - 0605 - 000		2	SCREW, M4X8	
50	XA9 - 0628 - 000		14	SCREW, RS, M4X8	
51	XA9 - 0628 - 000		5	SCREW, RS, M4X8	
52	XA9 - 0721 - 000		2	SCREW, RS, M4X10	

FIGURE & KEY NO.	PART NUMBER	R A N K	Q' T Y	DESCRIPTION	SERIAL NUMBER / REMARKS
300 - 501	XB1 - 2300 - 609		2	SCREW,MACH.,TRUSS HEAD,M3X6	
502	XB1 - 2400 - 609		1	SCREW,MACH.,TRUSS HEAD,M4X6	
503	XB4 - 7300 - 607		2	SCREW,TAPPING,TRUSS HEAD,M3X6	
504	XB4 - 7300 - 607		2	SCREW,TAPPING,TRUSS HEAD,M3X6	
505	XD1 - 1108 - 235		1	SHIM	
506	XD2 - 1100 - 502		2	RING,E	

FIGURE 302 1.5K RIGHT PAPER STOCK ASSEMBLY



NOTE: This assembly does not include the part shown with key No.42.

FIGURE & KEY NO.	PART NUMBER	RANK	QTY	DESCRIPTION	SERIAL NUMBER / REMARKS
302 -	FG6 - 7376 - 000		1	1.5K RIGHT PAPER STOCK ASS'Y	
1	FA6 - 9971 - 000		2	PULLEY, IDLER	
2	FA6 - 9986 - 000		1	HOLDER, DAMPER	
3	FA6 - 9988 - 020		1	FLANGE, LIFTER	
4	FA6 - 9989 - 000		2	FLANGE, IDLER	
5	FA9 - 2112 - 000		2	BUSHING	
6	FB2 - 7625 - 000		1	SHAFT, LIFT	
7	FB2 - 7652 - 000		1	SUPPORT, SHAFT, FRONT	
8	FB2 - 7740 - 020		2	SHEET, SEPARATION	
9	FB2 - 8465 - 000		2	PULLEY, LIFTING, FRONT	
10	FB3 - 8508 - 000		1	PAPER QUANTITY INDICATOR UNIT	
11	FB4 - 2026 - 000		1	LEVER, SLIDE	
12	FB4 - 5268 - 000		1	SUPPORT, SHAFT, REAR	
13	FB4 - 9509 - 000		1	PLATE, SEPARATION	
14	FB5 - 3365 - 000		1	SPRING, COMPRESSION	
15	FB5 - 3370 - 000		1	LEVER, HOOK RELEASE	
16	FB5 - 3569 - 000		1	LEVER, HOOK RELEASE	
17	FB5 - 5606 - 000		1	HOOK, WIRE, FRONT	
18	FB5 - 5607 - 000		1	HOOK, WIRE, REAR	
19	FB5 - 5608 - 000		1	SUPPORT, FRONT	
20	FB5 - 5609 - 000		1	SUPPORT, REAR	
21	FB6 - 2719 - 000		3	PAD	
22	FC1 - 5049 - 000		2	BRACKET	
23	FC1 - 5051 - 000		1	WIRE, LIFTING, FRONT	
24	FC1 - 5052 - 000		1	WIRE, LIFTING, REAR	
25	FC1 - 5055 - 000		1	HOLDER, CABLE, FRONT	
26	FC1 - 5056 - 000		1	HOLDER, CABLE, REAR	
27	FC1 - 5061 - 000		1	GEAR, 28T	
28	FC1 - 5080 - 000		1	PLATE, LIMIT, WIRE	
29	FC1 - 5081 - 000		1	FLANGE, REAR	

FIGURE & KEY NO.	PART NUMBER	RANK	QTY	DESCRIPTION	SERIAL NUMBER / REMARKS
302 - 30	FF5 - 8150 - 000		1	LEVER, CAM RELEASE	
31	FF5 - 8151 - 000		1	HOOK	
32	FF5 - 9791 - 000		1	PLATE, LEVER SUPPORT	
33	FF6 - 1013 - 000		1	FRONT COVER, RIGHT	
33 A	FB5 - 3366 - 000		1	PLATE, INDEX, PAPER	
34	FF6 - 1054 - 000		1	BUTTON, PUSH	
35	FS2 - 9428 - 000		2	SCREW, M6X6	
36	FS4 - 0012 - 000		1	GEAR, 27T	
37	FS4 - 0160 - 000		1	GEAR, 28T	
38	FS4 - 2136 - 000		1	SPRING, COMPRESSION	
39	FS5 - 8618 - 000		1	LABEL, "MAXIMUM LOAD"	
40	FS6 - 2983 - 000		1	SPRING, TENSION	
41	FS6 - 2984 - 000		1	SPRING, COMPRESSION	
42	FS6 - 8981 - 000		2	LABEL, PAPER SIZE	SEE NOTE
43	XA9 - 0605 - 000		2	SCREW,M4X8	
44	XA9 - 0685 - 000		28	SCREW,RS,M4X6	
45	XA9 - 0721 - 000		10	SCREW,RS,M4X10	
46	XD9 - 0104 - 000		2	PIN,DOWEL	
47	XG9 - 0439 - 000		2	BEARING, ROLLER	
48	XH9 - 0082 - 000		1	DAMPER, OIL	
501	XB1 - 2200 - 409		2	SCREW,MACH.,TRUSS HEAD,M2X4	
502	XB1 - 2400 - 607		3	SCREW,MACH.,TRUSS HEAD,M4X6	
503	XB1 - 2400 - 609		4	SCREW,MACH.,TRUSS HEAD,M4X6	
504	XB6 - 2300 - 408		4	SETSCREW,M3X4	
505	XD1 - 1108 - 239		2	SHIM	
506	XD2 - 1100 - 402		2	RING,E	
507	XD2 - 1100 - 642		5	RING,E	
508	XD3 - 1200 - 122		1	PIN,SPRING	

FIGURE 303 1.5K LEFT PAPER STOCK ASSEMBLY

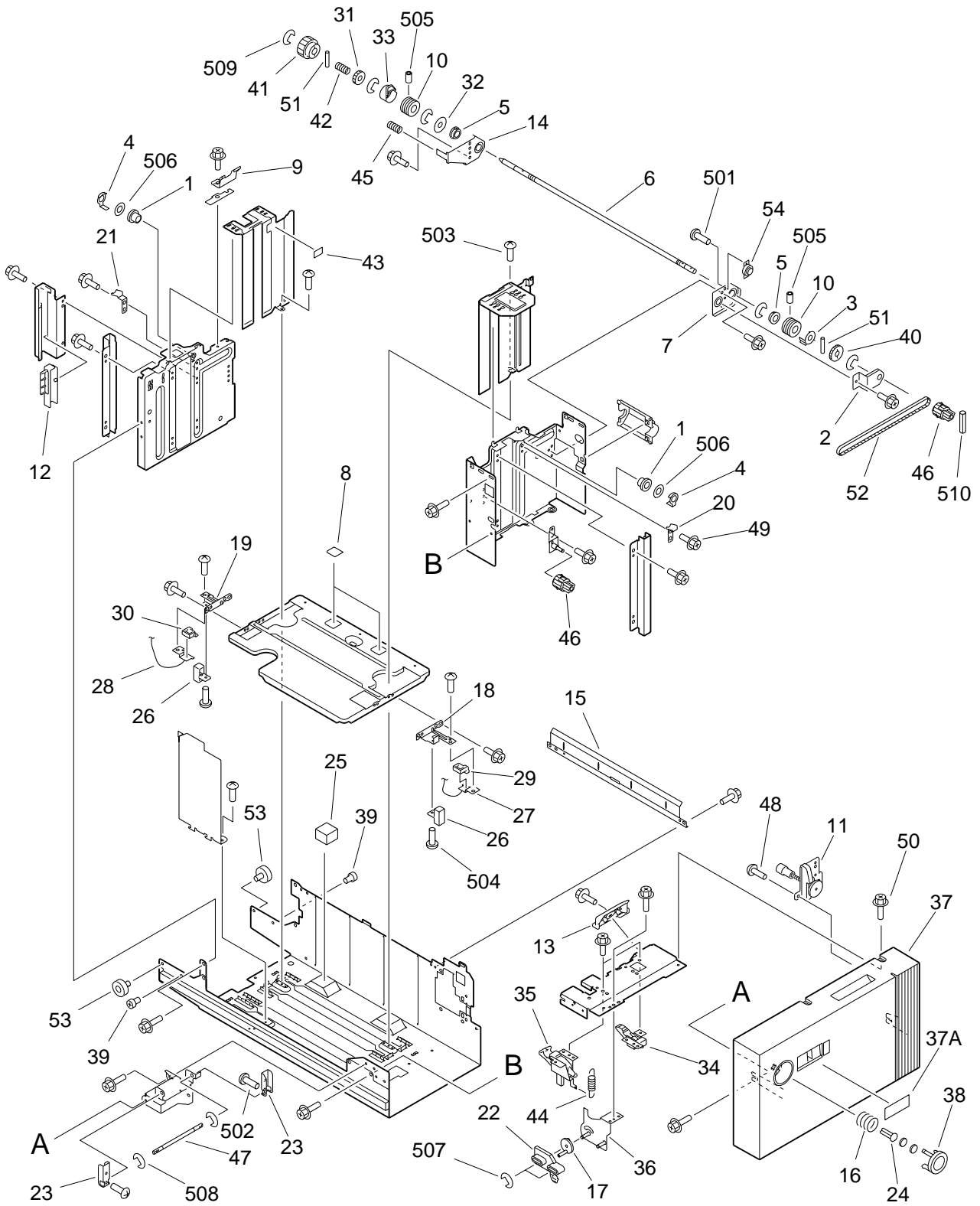


FIGURE & KEY NO.	PART NUMBER	RANK	QTY	DESCRIPTION	SERIAL NUMBER / REMARKS
303 -	FG6 - 7377 - 000		1	1.5K LEFT PAPER STOCK ASSEMBLY	
1	FA6 - 9971 - 000		2	PULLEY, IDLER	
2	FA6 - 9986 - 000		1	HOLDER, DAMPER	
3	FA6 - 9988 - 020		1	FLANGE, LIFTER	
4	FA6 - 9989 - 000		2	FLANGE, IDLER	
5	FA9 - 2112 - 000		2	BUSHING	
6	FB2 - 7625 - 000		1	SHAFT, LIFT	
7	FB2 - 7652 - 000		1	SUPPORT, SHAFT, FRONT	
8	FB2 - 7740 - 020		2	SHEET, SEPARATION	
9	FB2 - 7758 - 000		1	PLATE, JAM STOP, 1	
10	FB2 - 8465 - 000		2	PULLEY, LIFTING, FRONT	
11	FB3 - 8508 - 000		1	PAPER QUANTITY INDICATOR UNIT	
12	FB4 - 2026 - 000		1	LEVER, SLIDE	
13	FB4 - 5267 - 000		1	LEVER, SEPARATION RELEASE	
14	FB4 - 5268 - 000		1	SUPPORT, SHAFT, REAR	
15	FB4 - 9509 - 000		1	PLATE, SEPARATION	
16	FB5 - 3365 - 000		1	SPRING, COMPRESSION	
17	FB5 - 3370 - 000		1	LEVER, HOOK RELEASE	
18	FB5 - 5606 - 000		1	HOOK, WIRE, FRONT	
19	FB5 - 5607 - 000		1	HOOK, WIRE, REAR	
20	FB5 - 5608 - 000		1	SUPPORT, FRONT	
21	FB5 - 5609 - 000		1	SUPPORT, REAR	
22	FB5 - 6980 - 000		1	LEVER, HOOK RELEASE	
23	FB5 - 6982 - 000		2	LINK, DECK	
24	FB5 - 6986 - 000		1	LEVER, LEFT COVER	
25	FB6 - 2719 - 000		3	PAD	
26	FC1 - 5049 - 000		2	BRACKET	
27	FC1 - 5051 - 000		1	WIRE, LIFTING, FRONT	
28	FC1 - 5052 - 000		1	WIRE, LIFTING, REAR	
29	FC1 - 5055 - 000		1	HOLDER, CABLE, FRONT	

FIGURE & KEY NO.	PART NUMBER	R A N K	Q' T Y	DESCRIPTION	SERIAL NUMBER / REMARKS
303 - 30	FC1 - 5056 - 000		1	HOLDER, CABLE, REAR	
31	FC1 - 5061 - 000		1	GEAR, 28T	
32	FC1 - 5080 - 000		1	PLATE, LIMIT, WIRE	
33	FC1 - 5081 - 000		1	FLANGE, REAR	
34	FF5 - 8150 - 000		1	LEVER, CAM RELEASE	
35	FF5 - 8151 - 000		1	HOOK	
36	FF5 - 9793 - 000		1	PLATE, LEVER SUPPORT	
37	FF6 - 1014 - 000		1	FRONT COVER, LEFT	
37 A	FB5 - 3367 - 000		1	PLATE, INDEX, PAPER	
38	FF6 - 1054 - 000		1	BUTTON, PUSH	
39	FS2 - 9428 - 000		2	SCREW, M6X6	
40	FS4 - 0012 - 000		1	GEAR, 27T	
41	FS4 - 0160 - 000		1	GEAR, 28T	
42	FS4 - 2136 - 000		1	SPRING, COMPRESSION	
43	FS5 - 8618 - 000		1	LABEL, "MAXIMUM LOAD"	
44	FS6 - 2983 - 000		1	SPRING, TENSION	
45	FS6 - 2984 - 000		1	SPRING, COMPRESSION	
46	FS7 - 0662 - 000		2	PULLEY, 25T	
47	FS7 - 5687 - 000		1	SHAFT, RELEASE	
48	XA9 - 0605 - 000		2	SCREW,M4X8	
49	XA9 - 0685 - 000		31	SCREW,RS,M4X6	
50	XA9 - 0721 - 000		10	SCREW,RS,M4X10	
51	XD9 - 0104 - 000		2	PIN,DOWEL	
52	XF9 - 0723 - 000		1	BELT, TIMING	
53	XG9 - 0439 - 000		2	BEARING, ROLLER	
54	XH9 - 0082 - 000		1	DAMPER, OIL	
501	XB1 - 2200 - 409		2	SCREW,MACH.,TRUSS HEAD,M2X4	
502	XB1 - 2300 - 609		2	SCREW,MACH.,TRUSS HEAD,M3X6	
503	XB1 - 2400 - 607		3	SCREW,MACH.,TRUSS HEAD,M4X6	
504	XB1 - 2400 - 609		4	SCREW,MACH.,TRUSS HEAD,M4X6	

FIGURE & KEY NO.	PART NUMBER	RANK	QTY	DESCRIPTION	SERIAL NUMBER / REMARKS
303 - 505	XB6 - 2300 - 408		4	SETSCREW,M3X4	
506	XD1 - 1108 - 239		2	SHIM	
507	XD2 - 1100 - 402		2	RING,E	
508	XD2 - 1100 - 502		2	RING,E	
509	XD2 - 1100 - 642		5	RING,E	
510	XD3 - 1200 - 122		1	PIN,SPRING	

FIGURE 305 CASSETTE HEATER ASSEMBLY

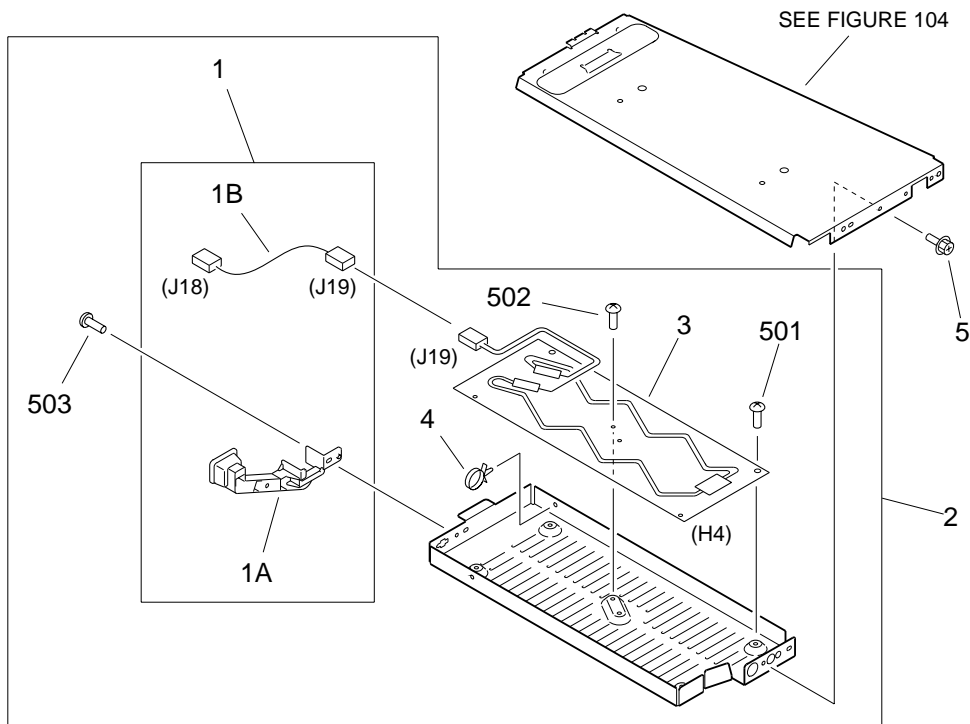
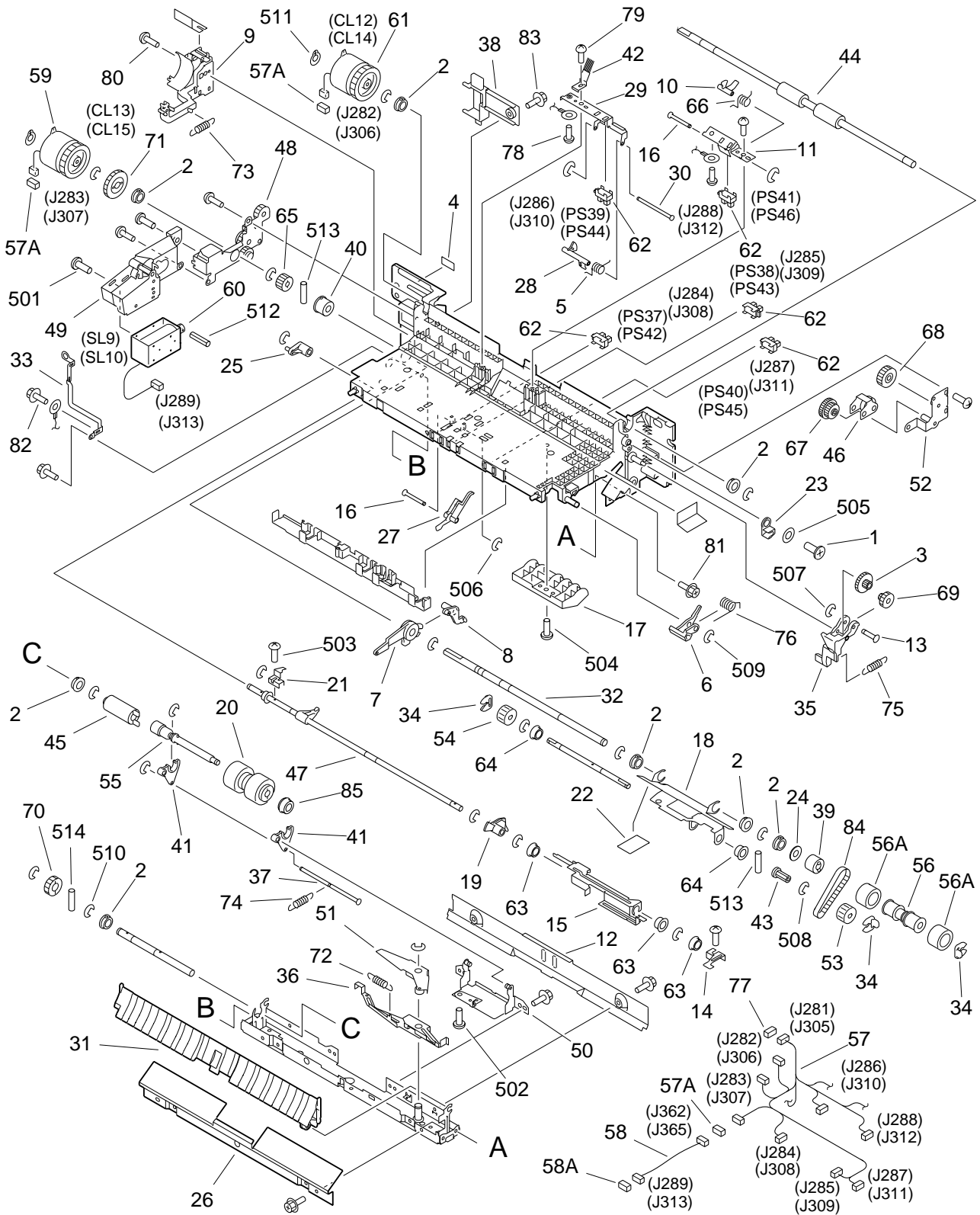


FIGURE & KEY NO.	PART NUMBER	RANK	QTY	DESCRIPTION	SERIAL NUMBER / REMARKS
305 -	NPN		RF	CASSETTE HEATER ASSEMBLY	100V ACCESSORY 208V
1	FG2 - 9195 - 000		1	CORD GUIDE ASSEMBLY	
1A	FB3 - 9910 - 000		1	GUIDE, HEATER CABLE	
1B	FG5 - 9419 - 000		1	CABLE, HEATER	J18,19
2	FG2 - 9811 - 000		1	CASSETTE HEATER UNIT	100V
<hr/>					
	FG2 - 9921 - 000		1	HEATER ASSEMBLY	ACCESSORY 208V
3	FH7 - 4584 - 000		1	HEATER, CASSETTE	H4 J19
4	WT2 - 5041 - 000		1	CLAMP, CABLE	
5	XA9 - 0628 - 000		2	SCREW,RS,M4X8	
501	XB1 - 2400 - 409		4	SCREW,MACH.,TRUSS HEAD,M4X4	
<hr/>					
502	XB6 - 7300 - 409		1	SCREW,TP,M3X4	
503	XB6 - 7400 - 609		1	SCREW,TP,M4X6	

FIGURE 311 CASSETTE PICK-UP ASSEMBLY



NOTE: This assembly does not include the parts shown with key No. 38, 77, and 83.

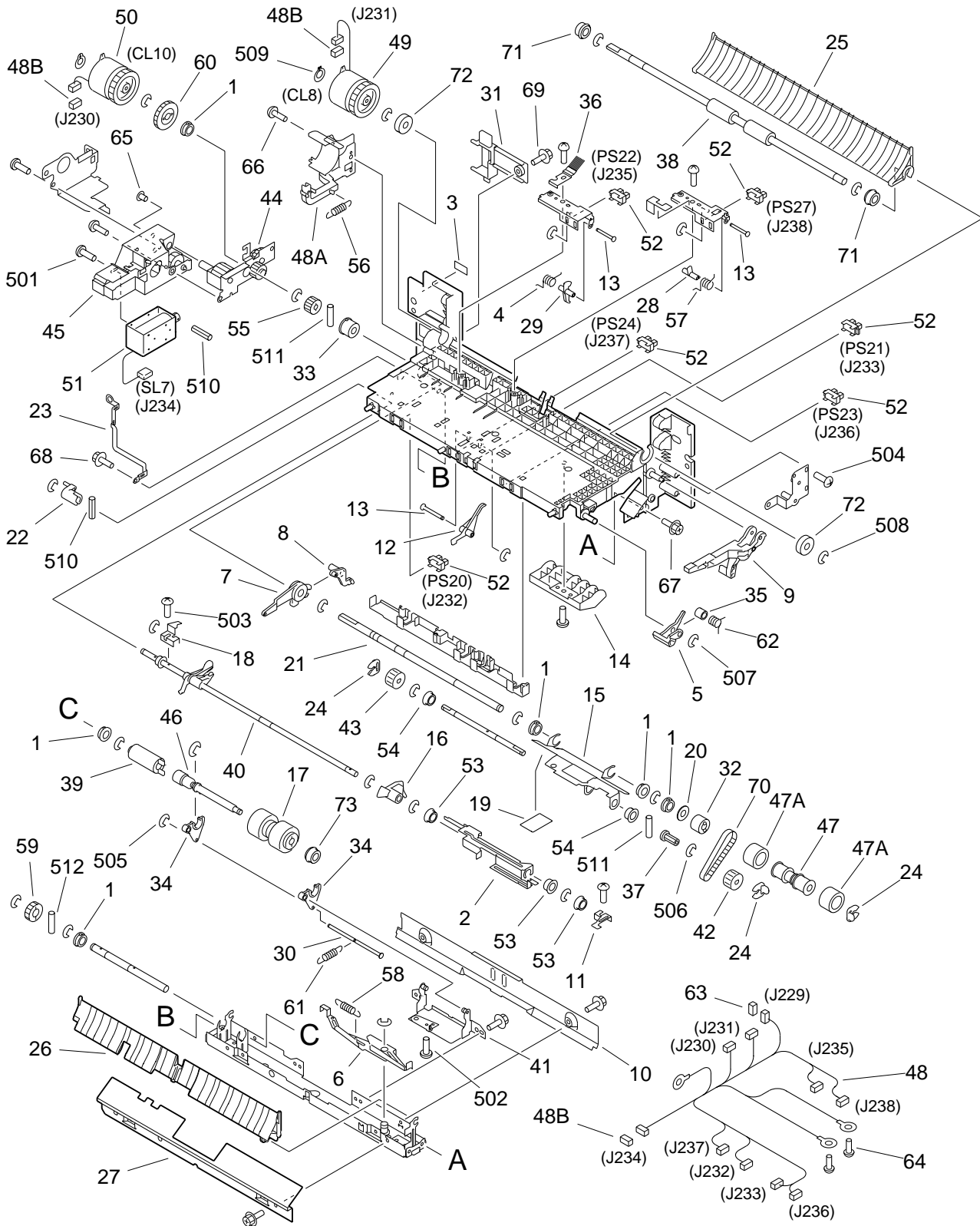
FIGURE & KEY NO.	PART NUMBER	R A N K	Q' T Y	DESCRIPTION	SERIAL NUMBER / REMARKS
311 -	FG6 - 7383 - 000		2	CASSETTE PICK-UP ASSEMBLY	
1	FA6 - 6457 - 000		1	SCREW,M3X5	
2	FA9 - 2112 - 000		8	BUSHING	
3	FA9 - 3827 - 000		1	GEAR, 17T/58T	
4	FA9 - 3828 - 000		1	LABEL, DISCRIMINATE	
5	FA9 - 3846 - 000		1	SPRING, TORSION	
6	FB2 - 7593 - 000		1	CAM	
7	FB2 - 7605 - 000		1	LINK, UP, 1	
8	FB2 - 7606 - 000		1	LINK, UP, 2	
9	FB2 - 7607 - 020		1	PLATE, LIMIT, CLUTCH	
10	FB2 - 7611 - 000		1	LEVER, SENSOR	
11	FB2 - 7613 - 000		1	MOUNT, SENSOR	
12	FB2 - 7616 - 000		1	GUIDE, FEED	
13	FB2 - 7620 - 000		1	SHAFT, LIFT, UPPER	
14	FB2 - 7624 - 000		1	PLATE, PICK-UP, FRONT	
15	FB2 - 7631 - 020		1	PLATE, RELEASE	
16	FB2 - 7633 - 000		2	SHAFT, SENSOR	
17	FB2 - 7635 - 000		1	PLATE, GUIDE, UPPER	
18	FB2 - 7641 - 000		1	PLATE, PICK-UP	
19	FB2 - 7642 - 000		1	ARM, PAPER	
20	FB2 - 7777 - 020		1	ROLLER, SEPARATION	
21	FB2 - 8266 - 000		1	PLATE, PICK-UP, REAR	
22	FB2 - 8410 - 000		1	SHEET, PICK-UP	
23	FB2 - 8436 - 000		1	BUSHING	
24	FB2 - 8512 - 000		1	SPACER	
25	FB3 - 8333 - 000		1	CAM, PICK-UP RELEASE	
26	FB3 - 9367 - 000		1	GUIDE, PICK-UP INLET, RIGHT	
27	FB4 - 1202 - 000		1	FLAG, PAPER	
28	FB4 - 1978 - 020		1	LEVER, PICK-UP SENSOR	
29	FB4 - 1979 - 000		1	MOUNT, PICK-UP SENSOR	

FIGURE & KEY NO.	PART NUMBER	RANK	QTY	DESCRIPTION	SERIAL NUMBER / REMARKS
311 - 30	FB4 - 1980 - 000		1	SHAFT, PICK-UP SENSOR	
31	FB4 - 1982 - 000		1	GUIDE, OPEN/CLOSE	
32	FB4 - 1989 - 000		1	SHAFT, PAPER FEED ROLLER	
33	FB4 - 2004 - 000		1	PLATE, GROUNDING	
34	FB4 - 2007 - 000		3	RING, RETAINING	
35	FB4 - 3700 - 000		1	LEVER, LIFTER RELEASE	
36	FB4 - 6214 - 000		1	LEVER, SEPARATION RELEASE, 2	
37	FB4 - 6227 - 000		1	SHAFT, COUNTER	
38	FB4 - 7835 - 000		1	COVER, CONNECTOR, PICK-UP	SEE NOTE
39	FB4 - 9029 - 000		1	CLUTCH, ONE-WAY	
40	FB4 - 9043 - 000		1	CLUTCH, ONE-WAY	
41	FB5 - 2063 - 000		2	ARM, SEPARATION ROLLER	
42	FB5 - 5621 - 000		1	ELIMINATOR, STATIC CHARGE	
43	FB5 - 7005 - 000		1	PULLEY, 18T	
44	FB5 - 7013 - 000		1	ROLLER, FEED	
45	FB6 - 0775 - 000		1	TORQUE, LIMITER	
46	FF5 - 3063 - 030		1	PLATE, LIFT	
47	FF5 - 3220 - 000		1	SHAFT, PAPER PICK-UP	
48	FF5 - 5894 - 000		1	PLATE, SUPPORT, LOWER	
49	FF5 - 5895 - 000		1	MOUNT, PICK-UP SOLENOID	
50	FF5 - 6889 - 000		1	MOUNT, SEPARATION ROLLER	
51	FF5 - 6904 - 000		1	LEVER, SEPARATION RELEASE, 1	
52	FF5 - 6905 - 000		1	SUPPORT, LIFTER GEAR	
53	FF5 - 7829 - 000		1	ROLLER, PICK-UP	FRONT
54	FF5 - 7830 - 000		1	ROLLER, PICK-UP	REAR
55	FF5 - 9784 - 000		1	SHAFT, SEPARATION ROLLER	
56	FF9 - 1913 - 000		1	ROLLER, FEED	
56 A	FB4 - 2034 - 000		2	ROLLER, FEED	
57	FG6 - 1832 - 000		1	CABLE, PAPER PICK-UP	J281-288,362 J305-312,365
57 A	VS1 - 5057 - 002		3	CONNECTOR, SNAP TIGHT	J282,283,362 J306,307,365

FIGURE & KEY NO.	PART NUMBER	RANK	QTY	DESCRIPTION	SERIAL NUMBER / REMARKS
311 - 58	FG6 - 2335 - 000		1	CABLE, SOLENOID CONNECTING	J289,362 J313,365
58 A	VS1 - 5057 - 002		1	CONNECTOR, SNAP TIGHT	J289,313
59	FH6 - 5014 - 000		1	CLUTCH, ELECTROMAGNETIC	CL13 J283 CL15 J307
60	FH7 - 5702 - 000		1	SOLENOID	SL9 J289 SL10 J313
61	FH7 - 5839 - 000		1	CLUTCH, ELECTROMAGNETIC	CL12 J282 CL14 J306
62	FH7 - 7462 - 000		5	PHOTO-INTERRUPTER	PS37-41 J284-288 PS42-46 J308-312
63	FS1 - 1512 - 000		3	BUSHING	
64	FS1 - 1569 - 000		2	BUSHING	
65	FS5 - 0338 - 000		1	GEAR, 16T	
66	FS5 - 2913 - 000		1	SPRING, TORSION	
67	FS6 - 0048 - 000		1	GEAR, 16T/46T	
68	FS6 - 0049 - 000		1	GEAR, 48T	
69	FS6 - 0051 - 000		1	GEAR, 17T/20T	
70	FS6 - 0053 - 020		1	GEAR, 20T	
71	FS6 - 0056 - 000		1	GEAR, 32T	
72	FS6 - 2668 - 000		1	SPRING, TENSION	
73	FS6 - 2670 - 000		1	SPRING, TENSION	
74	FS6 - 2678 - 000		1	SPRING, TENSION	
75	FS6 - 2742 - 000		1	SPRING, TENSION	
76	FS6 - 2996 - 000		1	SPRING, TORSION	
77	VS1 - 6319 - 022		1	CONNECTOR, SNAP TIGHT	SEE NOTE J281,305
78	XA9 - 0265 - 000		2	SCREW,W/WASHER,TRUSS HEAD	
79	XA9 - 0591 - 000		2	SCREW,M3X8	
80	XA9 - 0605 - 000		4	SCREW,M4X8	
81	XA9 - 0628 - 000		9	SCREW,RS,M4X8	
82	XA9 - 0633 - 000		1	SCREW,RS,M4X8	
83	XA9 - 0643 - 000		1	SCREW,RS,M4X10	SEE NOTE
84	XF9 - 0724 - 000		1	BELT, TIMING	
85	XG9 - 0407 - 000		1	BEARING, BALL, UGF106P12ZZD4ML	
501	XB1 - 2300 - 407		2	SCREW,MACH.,TRUSS HEAD,M3X4	

FIGURE & KEY NO.	PART NUMBER	RANK	QTY	DESCRIPTION	SERIAL NUMBER / REMARKS
311 - 502	XB1 - 2300 - 409		1	SCREW,MACH.,TRUSS HEAD,M3X4	
503	XB1 - 2300 - 609		2	SCREW,MACH.,TRUSS HEAD,M3X6	
504	XB1 - 2400 - 609		4	SCREW,MACH.,TRUSS HEAD,M4X6	
505	XD1 - 1104 - 132		1	SHIM	
506	XD2 - 1100 - 242		4	RING,E	
507	XD2 - 1100 - 322		1	RING,E	
508	XD2 - 1100 - 372		1	RING,E	
509	XD2 - 1100 - 502		7	RING,E	
510	XD2 - 1100 - 642		11	RING,E	
511	XD2 - 2100 - 802		1	RING,GRIP	
512	XD3 - 0300 - 082		1	PIN,SPRING	
513	XD3 - 2200 - 102		2	PIN,DOWEL	
514	XD3 - 2200 - 122		1	PIN,DOWEL	

FIGURE 312 FRONT DECK RIGHT PICK-UP ASSEMBLY



NOTE: This assembly does not include the parts shown with key No. 31, 63, and 69.

FIGURE & KEY NO.	PART NUMBER	R A N K	Q' T Y	DESCRIPTION	SERIAL NUMBER / REMARKS
312 -	FG6 - 7384 - 000		1	FRONT DECK RIGHT PICK-UP ASS'Y	
1	FA9 - 2112 - 000		6	BUSHING	
2	FA9 - 3691 - 000		1	PLATE, PAPER FLAG RELEASE	
3	FA9 - 3828 - 000		1	LABEL, DISCRIMINATE	
4	FA9 - 3846 - 000		1	SPRING, TORSION	
5	FB2 - 7593 - 000		1	CAM	
6	FB2 - 7603 - 000		1	LEVER, RELEASE	
7	FB2 - 7605 - 000		1	LINK, UP, 1	
8	FB2 - 7606 - 000		1	LINK, UP, 2	
9	FB2 - 7614 - 000		1	LEVER, RELEASE	
10	FB2 - 7616 - 000		1	GUIDE, FEED	
11	FB2 - 7624 - 000		1	PLATE, PICK-UP, FRONT	
12	FB2 - 7630 - 000		1	FLAG, PAPER	
13	FB2 - 7633 - 000		3	SHAFT, SENSOR	
14	FB2 - 7635 - 000		1	PLATE, GUIDE, UPPER	
15	FB2 - 7641 - 000		1	PLATE, PICK-UP	
16	FB2 - 7642 - 000		1	ARM, PAPER	
17	FB2 - 7777 - 020		1	ROLLER, SEPARATION	
18	FB2 - 8266 - 000		1	PLATE, PICK-UP, REAR	
19	FB2 - 8410 - 000		1	SHEET, PICK-UP	
20	FB2 - 8512 - 000		1	SPACER	
21	FB4 - 1989 - 000		1	SHAFT, PAPER FEED ROLLER	
22	FB4 - 2000 - 000		1	CAM, PICK-UP RELEASE, REAR	
23	FB4 - 2004 - 000		1	PLATE, GROUNDING	
24	FB4 - 2007 - 000		3	RING, RETAINING	
25	FB4 - 2010 - 000		1	GUIDE, JOINT	
26	FB4 - 2012 - 000		1	GUIDE, OPEN/CLOSE, RIGHT	
27	FB4 - 2013 - 000		1	GUIDE, PICK-UP INLET	
28	FB4 - 2014 - 000		1	LEVER, SENSOR	
29	FB4 - 2016 - 000		1	LEVER, PICK-UP SENSOR, RIGHT	

FIGURE & KEY NO.	PART NUMBER	RANK	QTY	DESCRIPTION	SERIAL NUMBER / REMARKS
312 - 30	FB4 - 6227 - 000		1	SHAFT, COUNTER	
31	FB4 - 7835 - 000		1	COVER, CONNECTOR, PICK-UP	SEE NOTE
32	FB4 - 9029 - 000		1	CLUTCH, ONE-WAY	
33	FB4 - 9043 - 000		1	CLUTCH, ONE-WAY	
34	FB5 - 2063 - 000		2	ARM, SEPARATION ROLLER	
35	FB5 - 4339 - 000		1	SPACER, CAM	
36	FB5 - 5620 - 000		1	ELIMINATOR, STATIC CHARGE	
37	FB5 - 7005 - 000		1	PULLEY, 18T	
38	FB5 - 7013 - 000		1	ROLLER, FEED	
39	FB6 - 0775 - 000		1	TORQUE, LIMITER	
40	FF5 - 3228 - 000		1	SHAFT, PICK-UP, UPPER	
41	FF5 - 6889 - 000		1	MOUNT, SEPARATION ROLLER	
42	FF5 - 7829 - 000		1	ROLLER, PICK-UP	FRONT
43	FF5 - 7830 - 000		1	ROLLER, PICK-UP	REAR
44	FF5 - 7832 - 000		1	SUPPORT, PLATE, RIGHT	
45	FF5 - 7833 - 000		1	MOUNT, SOLENOID, RIGHT	
46	FF5 - 9784 - 000		1	SHAFT, SEPARATION ROLLER	
47	FF9 - 1913 - 000		1	ROLLER, FEED	
47 A	FB4 - 2034 - 000		2	ROLLER, FEED	
48	FG6 - 1834 - 000		1	CABLE, RIGHT DECK	J229-238
48 A	FB4 - 2009 - 000		1	PLATE, CLUTCH LIMIT, RIGHT	
48 B	VS1 - 5057 - 002		3	CONNECTOR, SNAP TIGHT	J230,231,234
49	FH6 - 5014 - 000		1	CLUTCH, ELECTROMAGNETIC	CL8 J231
50	FH7 - 5826 - 000		1	CLUTCH, ELECTROMAGNETIC	CL10 J230
51	FH7 - 5827 - 000		1	SOLENOID	SL7 J234
52	FH7 - 7462 - 000		6	PHOTO-INTERRUPTER	PS20-24,27 J232,233,235-238
53	FS1 - 1512 - 000		3	BUSHING	
54	FS1 - 1569 - 000		2	BUSHING	
55	FS5 - 0338 - 000		1	GEAR, 16T	
56	FS5 - 2911 - 000		1	SPRING, TENSION	

FIGURE & KEY NO.	PART NUMBER	RANK	QTY	DESCRIPTION	SERIAL NUMBER / REMARKS
312 - 57	FS5 - 2913 - 000		1	SPRING, TORSION	
58	FS5 - 2914 - 000		1	SPRING, TENSION	
59	FS6 - 0053 - 020		1	GEAR, 20T	
60	FS6 - 0056 - 000		1	GEAR, 32T	
61	FS6 - 2678 - 000		1	SPRING, TENSION	
62	FS6 - 2997 - 000		1	SPRING, TORSION	
63	VS1 - 6319 - 024		1	CONNECTOR, SNAP TIGHT	SEE NOTE J229
64	XA9 - 0265 - 000		2	SCREW,W/WASHER,TRUSS HEAD	
65	XA9 - 0271 - 000		1	SCREW,M4X6	
66	XA9 - 0605 - 000		5	SCREW,M4X8	
67	XA9 - 0628 - 000		9	SCREW,RS,M4X8	
68	XA9 - 0633 - 000		1	SCREW,RS,M4X8	
69	XA9 - 0643 - 000		1	SCREW,RS,M4X10	SEE NOTE
70	XF9 - 0724 - 000		1	BELT, TIMING	
71	XG9 - 0211 - 000		2	BALL BEARING, MF128ZZ1MC3D4M	
72	XG9 - 0250 - 000		2	BEARING, BALL	
73	XG9 - 0407 - 000		1	BEARING, BALL, UGF106P12ZZD4ML	
501	XB1 - 2300 - 407		2	SCREW,MACH.,TRUSS HEAD,M3X4	
502	XB1 - 2300 - 409		1	SCREW,MACH.,TRUSS HEAD,M3X4	
503	XB1 - 2300 - 609		2	SCREW,MACH.,TRUSS HEAD,M3X6	
504	XB1 - 2400 - 609		4	SCREW,MACH.,TRUSS HEAD,M4X6	
505	XD2 - 1100 - 242		4	RING,E	
506	XD2 - 1100 - 372		1	RING,E	
507	XD2 - 1100 - 502		9	RING,E	
508	XD2 - 1100 - 642		13	RING,E	
509	XD2 - 2100 - 802		1	RING,GRIP	
510	XD3 - 0300 - 082		1	PIN,SPRING	
511	XD3 - 2200 - 102		2	PIN,DOWEL	
512	XD3 - 2200 - 122		1	PIN,DOWEL	

FIGURE 313 FRONT DECK LEFT PICK-UP ASSEMBLY

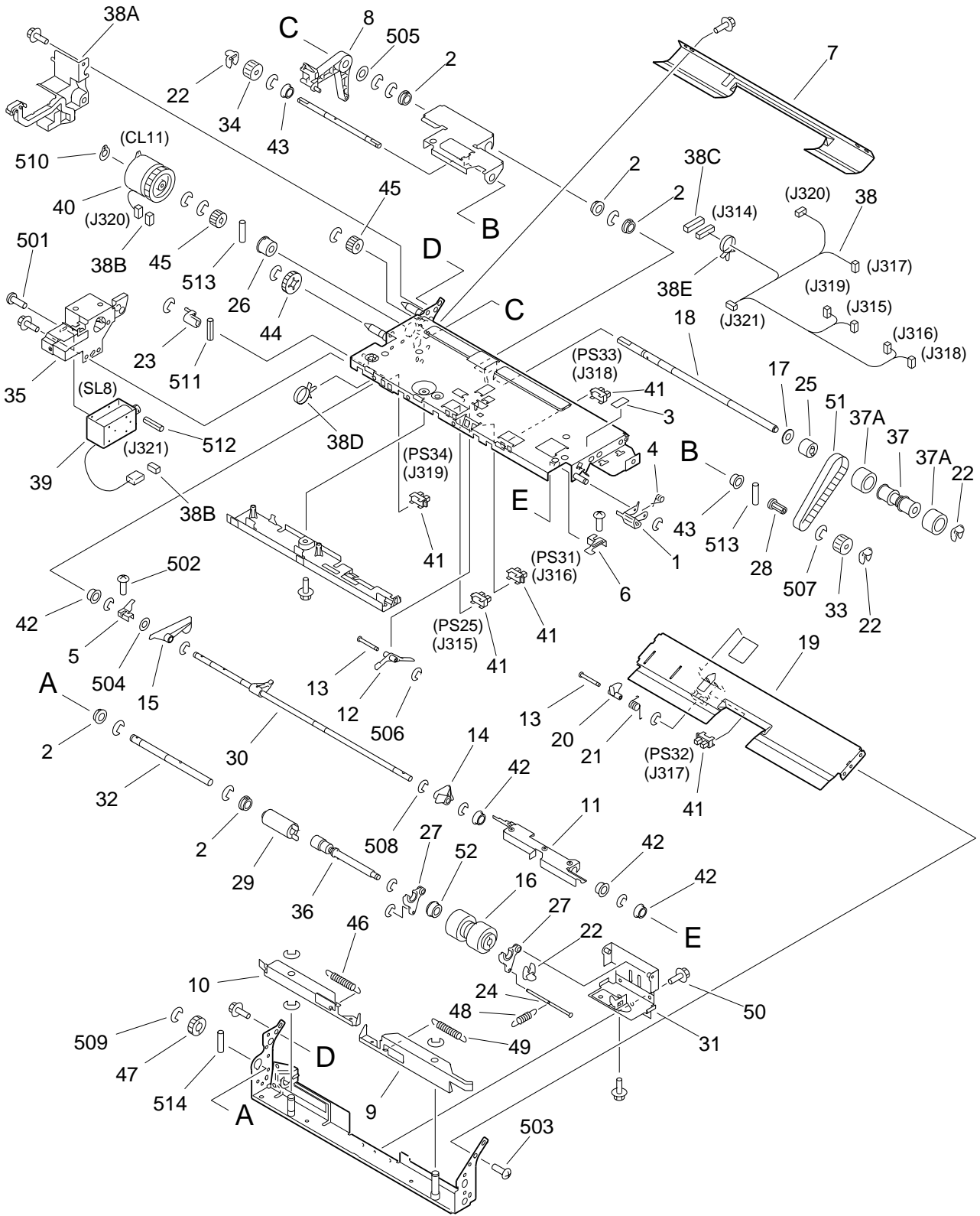
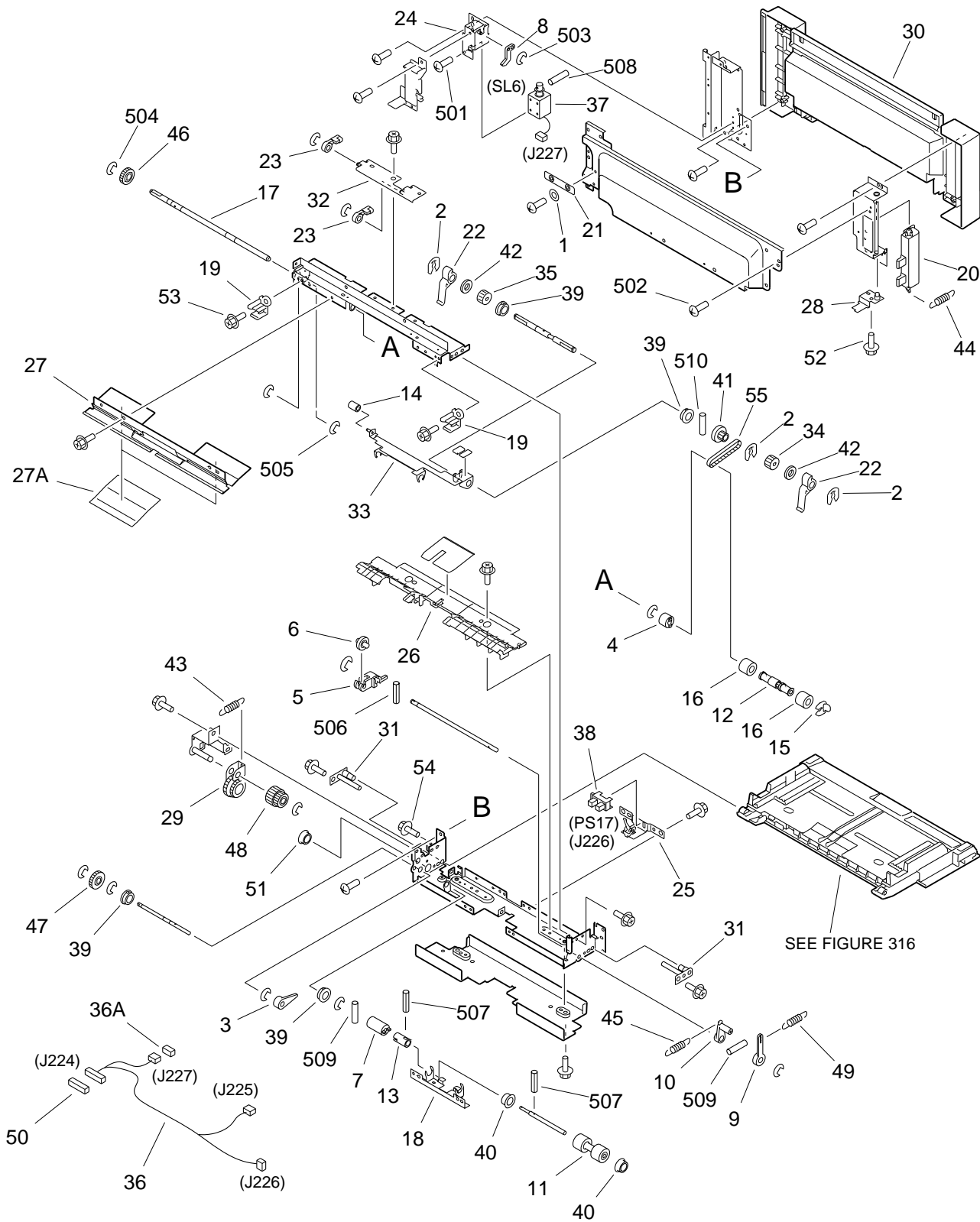


FIGURE & KEY NO.	PART NUMBER	R A N K	Q' T Y	DESCRIPTION	SERIAL NUMBER / REMARKS
313 -	FG6 - 7385 - 000		1	FRONT DECK LEFT PICK-UP ASS'Y	
1	FA5 - 2872 - 000		1	ARM, RELEASE, ROLLER, FRONT	
2	FA9 - 2112 - 000		5	BUSHING	
3	FA9 - 3828 - 000		1	LABEL, DISCRIMINATE	
4	FB1 - 7070 - 000		1	SPRING, TORSION	
5	FB2 - 7623 - 000		1	PLATE, PICK-UP, REAR	
6	FB2 - 7624 - 000		1	PLATE, PICK-UP, FRONT	
7	FB2 - 7693 - 000		1	GUIDE, PICK-UP, UPPER	
8	FB2 - 7715 - 020		1	LINK, RELEASE	
9	FB2 - 7716 - 000		1	PLATE, RELEASE	
10	FB2 - 7717 - 000		1	PLATE, RELEASE	
11	FB2 - 7718 - 000		1	PLATE, RELEASE LEVER	
12	FB2 - 7720 - 000		1	LEVER, PAPER	
13	FB2 - 7721 - 000		2	SHAFT, PAPER LEVER	
14	FB2 - 7722 - 000		1	LEVER, PAPER SENSOR	
15	FB2 - 7723 - 000		1	LEVER, LIMITER	
16	FB2 - 7777 - 020		1	ROLLER, SEPARATION	
17	FB2 - 8512 - 000		1	SPACER	
18	FB4 - 1990 - 000		1	SHAFT, FEED ROLLER	
19	FB4 - 1992 - 000		1	GUIDE, PICK-UP, LOWER	
20	FB4 - 1994 - 000		1	LEVER, PICK-UP SENSOR, LEFT	
21	FB4 - 1996 - 000		1	SPRING, TENSION	
22	FB4 - 2007 - 000		3	RING, RETAINING	
23	FB4 - 2031 - 000		1	CAM, PICK-UP RELEASE, REAR	
24	FB4 - 6227 - 000		1	SHAFT, COUNTER	
25	FB4 - 9029 - 000		1	CLUTCH, ONE-WAY	
26	FB4 - 9043 - 000		1	CLUTCH, ONE-WAY	
27	FB5 - 2063 - 000		2	ARM, SEPARATION ROLLER	
28	FB5 - 7005 - 000		1	PULLEY, 18T	
29	FB6 - 0775 - 000		1	TORQUE, LIMITER	

FIGURE & KEY NO.	PART NUMBER	RANK	QTY	DESCRIPTION	SERIAL NUMBER / REMARKS
313 - 30	FF5 - 3221 - 000		1	SHAFT, PICK-UP, LEFT	
31	FF5 - 6890 - 000		1	MOUNT, SEPARATION ROLLER	
32	FF5 - 7540 - 000		1	SHAFT, SEPARATION DRIVE	
33	FF5 - 7829 - 000		1	ROLLER, PICK-UP	FRONT
34	FF5 - 7830 - 000		1	ROLLER, PICK-UP	REAR
35	FF5 - 7840 - 000		1	MOUNT, SOLENOID, LEFT	
36	FF5 - 9784 - 000		1	SHAFT, SEPARATION ROLLER	
37	FF9 - 1913 - 000		1	ROLLER, FEED	
37 A	FB4 - 2034 - 000		2	ROLLER, FEED	
38	FG6 - 1836 - 000		1	CABLE, LEFT DECK	J314-321
38 A	FB2 - 7724 - 000		1	GUIDE, CABLE	
38 B	VS1 - 5057 - 002		2	CONNECTOR, SNAP TIGHT	J320,321
38 C	VS1 - 6319 - 020		1	CONNECTOR, SNAP TIGHT	J314
38 D	WT2 - 5178 - 000		4	CLIP, CABLE	
38 E	WT2 - 5565 - 000		1	CLAMP, CABLE	
39	FH7 - 5827 - 000		1	SOLENOID	SL8 J321
40	FH7 - 5839 - 000		1	CLUTCH, ELECTROMAGNETIC	CL11 J320
41	FH7 - 7462 - 000		5	PHOTO-INTERRUPTER	PS25,31-34 J315-319
42	FS1 - 1512 - 000		4	BUSHING	
43	FS1 - 1569 - 000		2	BUSHING	
44	FS2 - 0544 - 000		1	GEAR, 24T	
45	FS5 - 0338 - 000		2	GEAR, 16T	
46	FS5 - 2919 - 000		1	SPRING, TENSION	
47	FS6 - 0053 - 020		1	GEAR, 20T	
48	FS6 - 2678 - 000		1	SPRING, TENSION	
49	FS7 - 2533 - 000		1	SPRING, TENSION	
50	XA9 - 0628 - 000		11	SCREW,RS,M4X8	
51	XF9 - 0724 - 000		1	BELT, TIMING	
52	XG9 - 0407 - 000		1	BEARING, BALL, UGF106P12ZZD4ML	
501	XB1 - 2300 - 407		2	SCREW,MACH.,TRUSS HEAD,M3X4	

FIGURE & KEY NO.	PART NUMBER	R A N K	Q' T Y	DESCRIPTION	SERIAL NUMBER / REMARKS
313 - 502	XB1 - 2300 - 609		3	SCREW,MACH.,TRUSS HEAD,M3X6	
503	XB1 - 2400 - 609		1	SCREW,MACH.,TRUSS HEAD,M4X6	
504	XD1 - 1108 - 223		1	SHIM	
505	XD1 - 1108 - 226		1	SHIM	
506	XD2 - 1100 - 242		3	RING,E	
507	XD2 - 1100 - 322		1	RING,E	
508	XD2 - 1100 - 502		9	RING,E	
509	XD2 - 1100 - 642		13	RING,E	
510	XD2 - 2100 - 802		1	RING,GRIP	
511	XD3 - 1200 - 102		1	PIN,SPRING	
512	XD3 - 1300 - 102		1	PIN,SPRING	
513	XD3 - 2200 - 102		2	PIN,DOWEL	
514	XD3 - 2200 - 122		1	PIN,DOWEL	

FIGURE 315 MULTI FEED ASSEMBLY



NOTE1: This assembly includes the assembly shown in Figure 316.

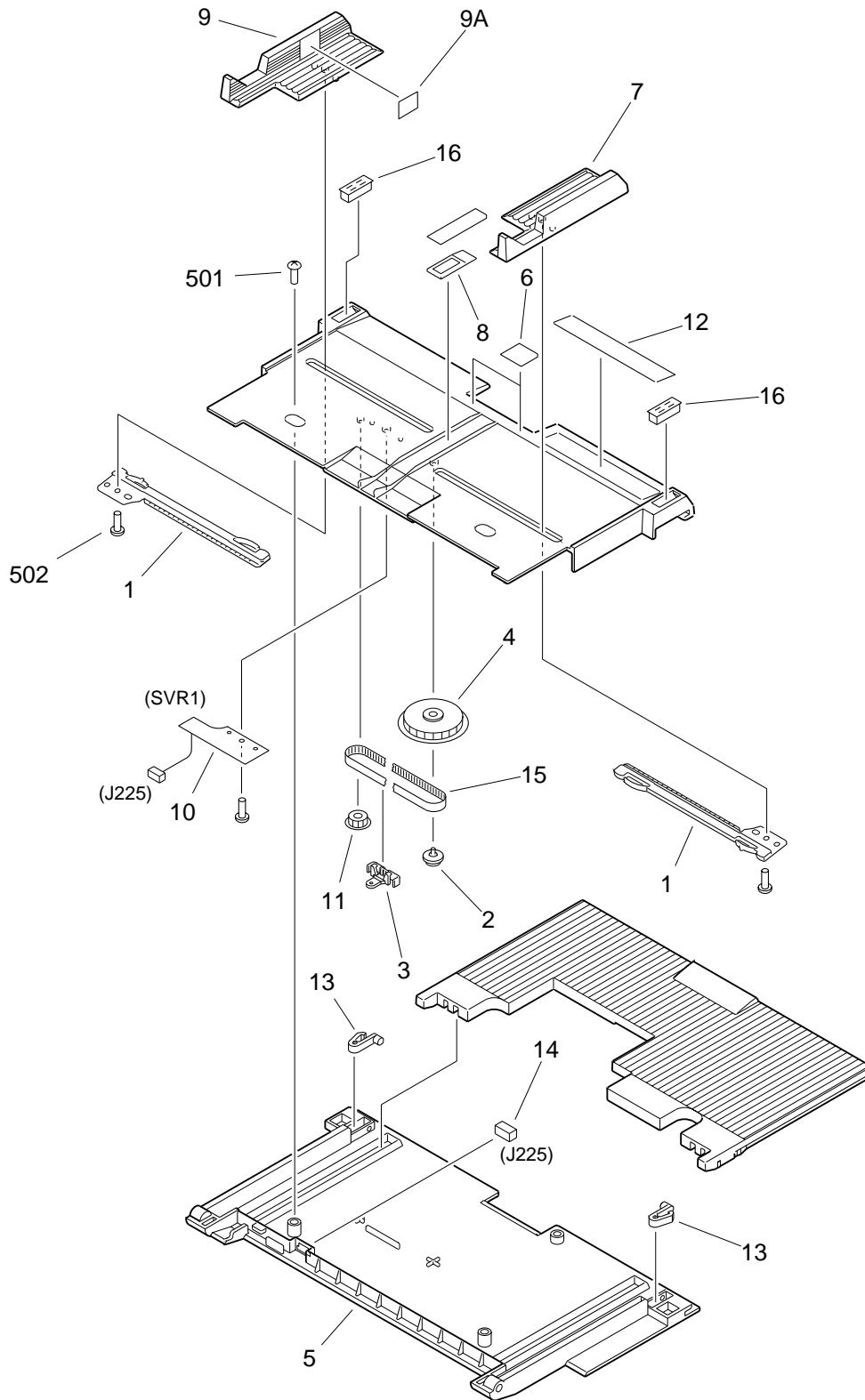
NOTE2: This assembly does not include the part shown with key No.50.

FIGURE & KEY NO.	PART NUMBER	RANK	QTY	DESCRIPTION	SERIAL NUMBER / REMARKS
315 -	FG6 - 9113 - 000		1	MULTI FEED ASSEMBLY	SEE NOTE 1
1	FA2 - 7162 - 000		1	WASHER, PLAIN	
2	FA3 - 8727 - 000		3	RING, RETAINING	
3	FA5 - 4266 - 000		1	ARM	
4	FA6 - 7728 - 000		1	COLLAR, FEEDER ROLLER	
5	FA6 - 7737 - 000		1	ARM, RETARD	
6	FA6 - 8071 - 000		1	ROLLER	
7	FA9 - 3669 - 000		1	TORQUE LIMITER	
8	FB2 - 7515 - 020		1	ARM, PICK-UP	
9	FB2 - 7537 - 000		1	LEVER, PRESSURE	
10	FB2 - 7542 - 000		1	LEVER, RELEASE	
11	FB2 - 7545 - 000		1	ROLLER, SPONGE	
12	FB2 - 7558 - 000		1	COLLAR, FEED ROLLER	
13	FB2 - 8227 - 000		1	COUPLING	
14	FB2 - 8384 - 000		1	ROLLER, PICK-UP	
15	FB4 - 2007 - 000		1	RING, RETAINING	
16	FB4 - 2035 - 000		2	ROLLER, FEED ROLLER	
17	FB4 - 3747 - 000		1	SHAFT, FEEDER ROLLER	
18	FB4 - 3750 - 000		1	MOUNT, SEPARATION ROLLER	
19	FB4 - 3759 - 000		2	GUIDE, POSITIONING	
20	FB4 - 3772 - 000		1	HANDLE, MULTI FEED DOOR	
21	FB4 - 7840 - 000		1	TAPE, SUPPORT	
22	FB5 - 2837 - 000		2	SHUTTER	
23	FB5 - 2838 - 000		2	BLOCK, SHUTTER STOP	
24	FF5 - 2939 - 000		1	PLATE, SOLENOID	
25	FF5 - 2943 - 000		1	MOUNT, SENSOR	
26	FF5 - 3135 - 020		1	PLATE, GUIDE PAPER	
27	FF5 - 7673 - 000		1	GUIDE, UPPER	
27 A	FB4 - 3762 - 000		2	SHEET, GUIDE	
28	FF5 - 7674 - 000		1	PLATE, MULTI FEED DOOR SWITCH	

FIGURE & KEY NO.	PART NUMBER	RANK	QTY	DESCRIPTION	SERIAL NUMBER / REMARKS
315 - 29	FF5 - 7675 - 000		1	GEAR, SWING	
30	FF5 - 8157 - 000		1	DOOR, MULTI FEED	
31	FF5 - 9416 - 000		2	PLATE, TRAY FIXING	
32	FF5 - 9551 - 000		1	PLATE, SHUTTER	
33	FF5 - 9561 - 000		1	PLATE, PICK-UP	
34	FF9 - 1763 - 000		1	ROLLER, PICK-UP, FRONT	
35	FF9 - 1764 - 000		1	ROLLER, PICK-UP, REAR	
36	FG6 - 1866 - 000		1	CABLE, MULTI	J224-227
36 A	VS1 - 5057 - 003		1	CONNECTOR, SNAP TIGHT	J227
37	FH7 - 5838 - 000		1	SOLENOID	SL6 J227
38	FH7 - 7462 - 000		1	PHOTO-INTERRUPTER	PS17 J226
39	FS1 - 1569 - 000		9	BUSHING	
40	FS2 - 1357 - 000		2	BUSHING	
41	FS5 - 3331 - 000		1	PULLEY, 14T	
42	FS5 - 6581 - 000		2	SPACER, PICK-UP SHAFT	
43	FS6 - 2892 - 000		1	SPRING, TENSION	
44	FS6 - 2893 - 000		1	SPRING, TENSION	
45	FS6 - 2985 - 000		1	SPRING, TENSION	
46	FS7 - 0039 - 000		1	GEAR, 16T	
47	FS7 - 0040 - 000		1	GEAR, 20T	
48	FS7 - 0041 - 000		1	GEAR, 16T/20T	
49	FS7 - 2057 - 000		1	SPRING, TENSION	
50	VS1 - 5057 - 012		1	CONNECTOR, SNAP TIGHT	SEE NOTE 2 J224
51	WT2 - 5189 - 000		1	BUSHING	
52	XA9 - 0628 - 000		18	SCREW,RS,M4X8	
53	XA9 - 0628 - 000		15	SCREW,RS,M4X8	
54	XA9 - 0908 - 000		1	SCREW,RS,M4X8	
55	XF9 - 0502 - 000		1	BELT, TIMING	
501	XB1 - 2300 - 409		2	SCREW,MACH.,TRUSS HEAD,M3X4	
502	XB1 - 2400 - 609		11	SCREW,MACH.,TRUSS HEAD,M4X6	

FIGURE & KEY NO.	PART NUMBER	RANK	QTY	DESCRIPTION	SERIAL NUMBER / REMARKS
315 - 503	XD2 - 1100 - 322		3	RING,E	
504	XD2 - 1100 - 322		1	RING,E	
505	XD2 - 1100 - 502		11	RING,E	
506	XD3 - 1200 - 102		1	PIN,SPRING	
507	XD3 - 1200 - 122		2	PIN,SPRING	
508	XD3 - 2200 - 082		1	PIN,DOWEL	
509	XD3 - 2200 - 102		3	PIN,DOWEL	
510	XD3 - 2200 - 122		1	PIN,DOWEL	

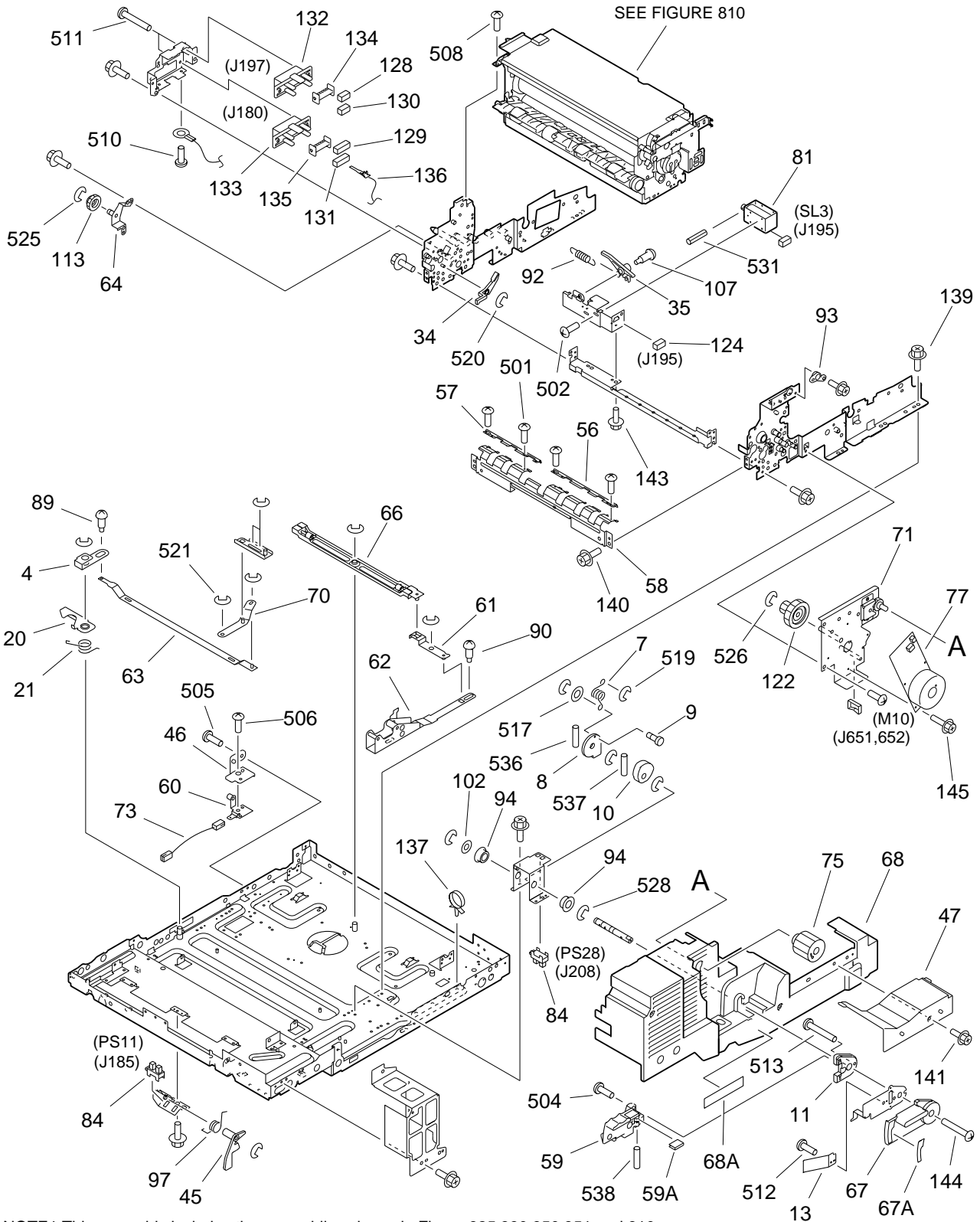
FIGURE 316 MULTI FEED TRAY ASSEMBLY



NOTE1: This assembly is included in the assembly shown in Figure 315.
 NOTE2: This assembly does not include the part shown with key No.12.

FIGURE & KEY NO.	PART NUMBER	RANK	QTY	DESCRIPTION	SERIAL NUMBER / REMARKS
316 -	FG6 - 9114 - 000		1	MULTI FEED TRAY ASSEMBLY	SEE NOTE 1
1	FB1 - 8619 - 000		2	RACK	
2	FB1 - 8620 - 000		1	RING, PULLEY	
3	FB1 - 8621 - 000		1	PLATE, LOCK	
4	FB1 - 8625 - 000		1	GEAR, 18T	
5	FB2 - 7521 - 000		1	BASE, TRAY	
6	FB2 - 7740 - 020		2	SHEET, SEPARATION	
7	FB4 - 3774 - 000		1	PANEL, SIDE LIMIT, FRONT	
8	FB6 - 2887 - 000		1	SUPPORT, MULTI PAD	
9	FF5 - 8140 - 000		1	PANEL, SIDE LIMIT, REAR	
9 A	FS6 - 8709 - 000		1	LABEL, "LIMIT, PAPER HEIGHT"	
10	FG5 - 1958 - 000		1	MULTI VR PCB ASSEMBLY	SVR1 J225
11	FS5 - 3177 - 000		1	PULLEY, IDLER	
12	FS6 - 8705 - 000		1	LABEL, PAPER SIZE	AB SIZE SEE NOTE 2
	FS6 - 8706 - 000		1	LABEL, PAPER SIZE	A/INCH SIZE SEE NOTE 2
	FS6 - 8707 - 000		1	LABEL, PAPER SIZE	A SIZE SEE NOTE 2
	FS6 - 8708 - 000		1	LABEL, PAPER SIZE	AB/INCH SIZE SEE NOTE 2
13	RA1 - 7807 - 000		2	LOCK, MP	
14	VS1 - 5057 - 003		1	CONNECTOR, SNAP TIGHT	J225
15	XF9 - 0393 - 000		1	BELT, TIMING	
16	XZ9 - 0407 - 000		2	LATCH, MAGNET	
501	XB1 - 2400 - 606		2	SCREW, MACH., TRUSS HEAD, M4X6	
502	XB4 - 7300 - 609		2	SCREW, TAPPING, TRUSS HEAD, M3X6	

FIGURE 320 FIXING/FEEDER FRAME ASSEMBLY(1/3)



NOTE1: This assembly includes the assemblies shown in Figure 325, 330, 350, 351 and 810.
 NOTE2: This assembly does not include the parts shown with key No. 47, 68, 68A, and 141

FIGURE 320 FIXING/FEEDER FRAME ASSEMBLY(2/3)

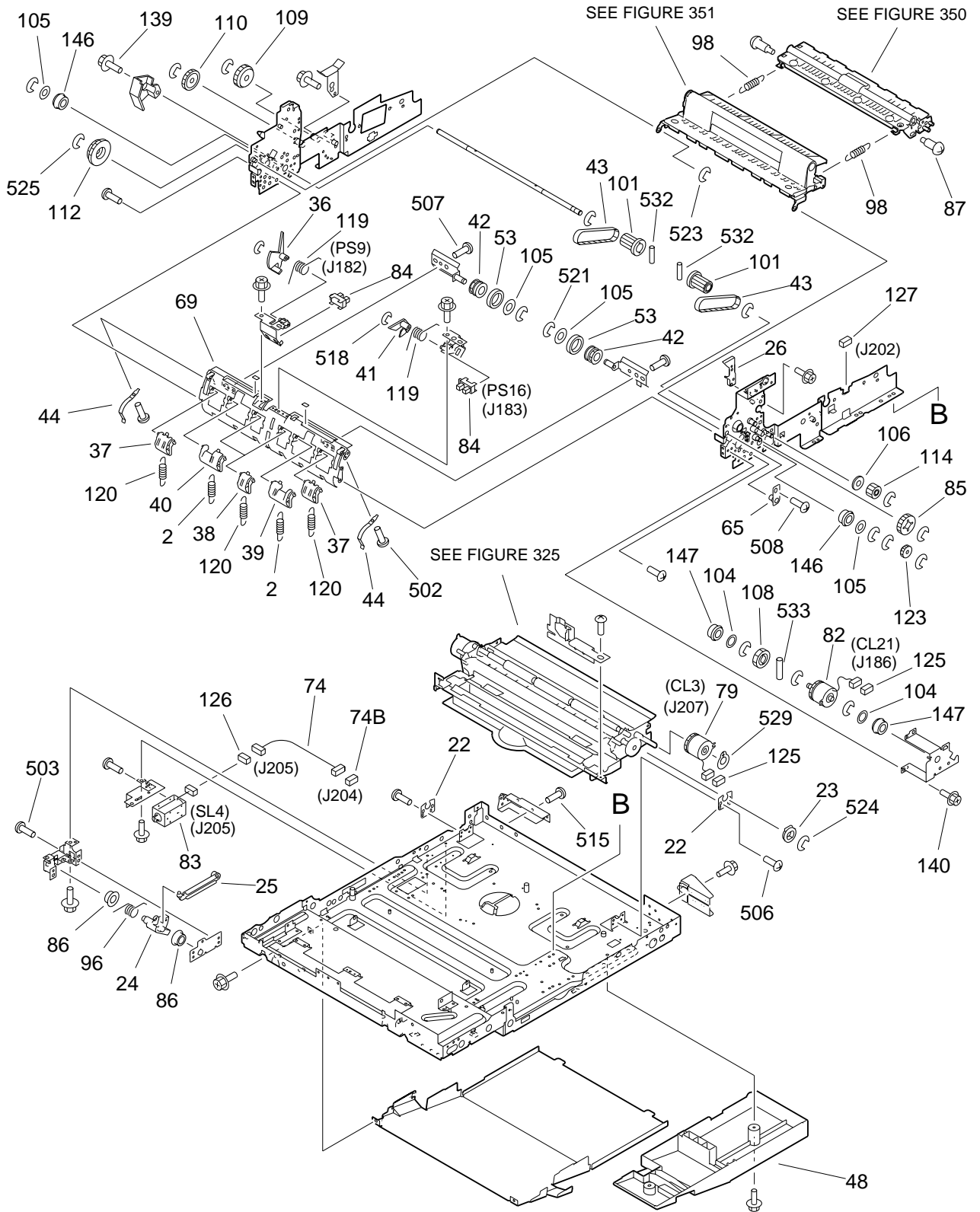


FIGURE 320 FIXING/FEEDEER FRAME ASSEMBLY(3/3)

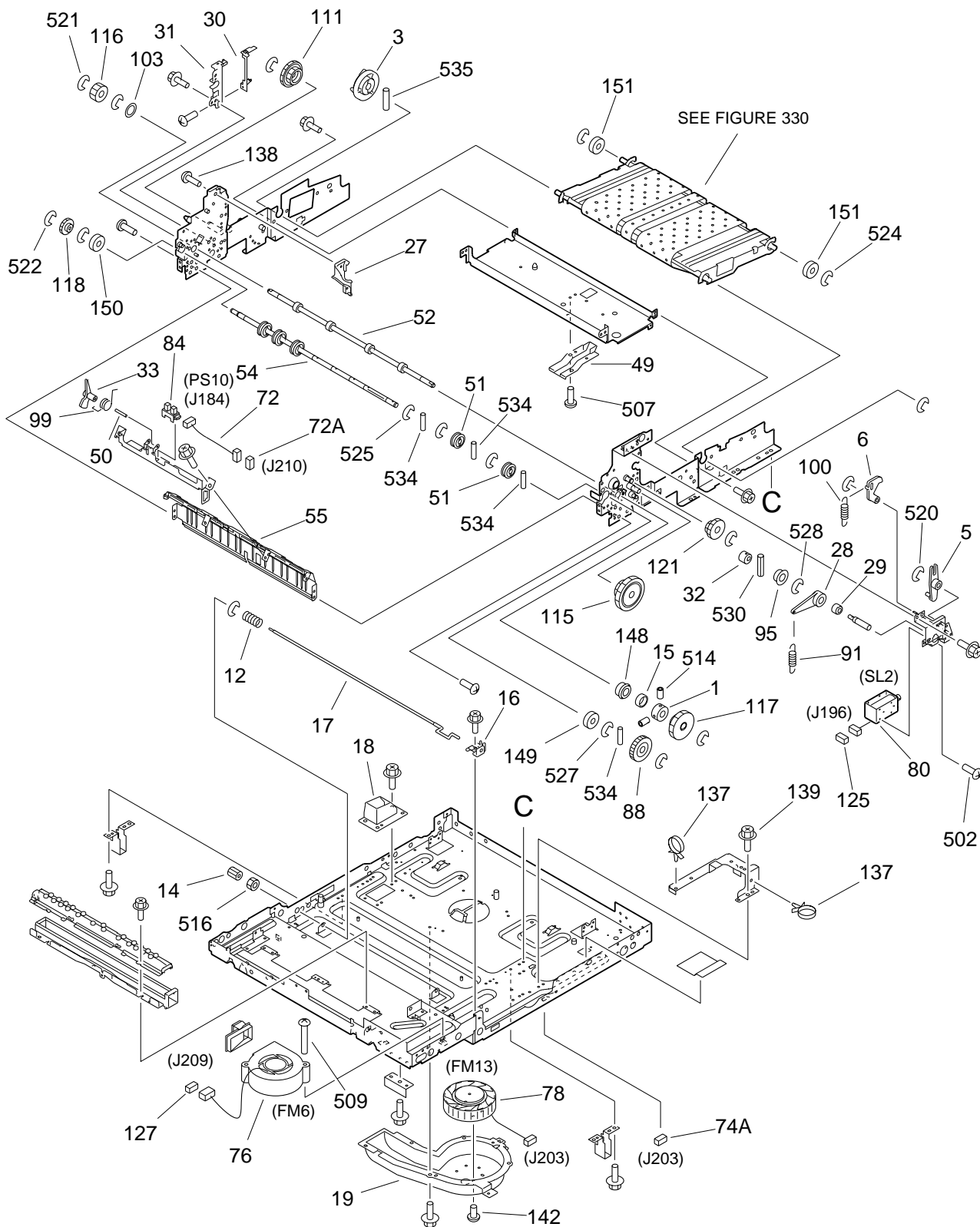


FIGURE & KEY NO.	PART NUMBER	RANK	QTY	DESCRIPTION	SERIAL NUMBER / REMARKS
320 - 1	FG6 - 7291 - 000		1	FIXING/FEEDER FRAME ASSEMBLY	iR8500 100V/8500P SEE NOTE 1
	FG6 - 7292 - 000		1	FIXING/FEEDER FRAME ASSEMBLY	208V SEE NOTE 1
	FG6 - 7293 - 000		1	FIXING/FEEDER FRAME ASSEMBLY	220/240V SEE NOTE 1
	FG6 - 8919 - 000		1	FIXING/FEEDER FRAME ASSEMBLY	iR7200 100V/7200P SEE NOTE 1
	FA2 - 1753 - 000		1	COLLAR	
2	FA9 - 3863 - 000		2	SPRING, TENSION	
3	FB2 - 1035 - 000		1	COUPLING, DRIVE	
4	FB2 - 7056 - 000		1	PLATE, JOINT	
5	FB2 - 7242 - 000		1	ARM, SOLENOID, 1	
6	FB2 - 7243 - 000		1	ARM, SOLENOID, 2	
7	FB2 - 8192 - 000		1	SPRING, TORSION	
8	FB2 - 8196 - 020		1	PLATE, HANDLE STOP	
9	FB2 - 8198 - 000		1	SHAFT, SPRING	
10	FB2 - 8204 - 000		1	CAM, REGISTRATION	
11	FB2 - 8213 - 000		1	COVER, HANDLE, REAR	
12	FB2 - 8214 - 000		1	SPRING, COMPRESSION	
13	FB2 - 8217 - 020		1	SPRING, LEAF	
14	FB2 - 8376 - 000		1	GUIDE, SHAFT	
15	FB3 - 2331 - 000		1	SPACER	
16	FB3 - 8398 - 000		1	GUIDE, HANDLE	
17	FB3 - 8457 - 000		1	SHAFT, HANDLE LOCK	
18	FB4 - 2055 - 000		1	DUCT, JOINT	
19	FB4 - 2058 - 000		1	CASE, SEPARATION FAN	
20	FB4 - 2061 - 000		1	PLATE, LATCH	
21	FB4 - 2062 - 000		1	SPRING, TORSION	
22	FB4 - 2067 - 000		2	PLATE, REGISTRATION ADJUSTING	
23	FB4 - 2068 - 000		1	BUSHING	
24	FB4 - 2077 - 000		1	HOOK, LOCK	
25	FB4 - 2078 - 000		1	ARM, LOCK	
26	FB4 - 2224 - 000		1	GUIDE, CLAW, FRONT 2	

FIGURE & KEY NO.	PART NUMBER	RANK	QTY	DESCRIPTION	SERIAL NUMBER / REMARKS
320 - 27	FB4 - 2225 - 000		1	GUIDE, CLAW, REAR	
28	FB4 - 2235 - 000		1	CAM, ONE-WAY, 1	
29	FB4 - 2236 - 000		1	CAM, ONE-WAY, 2	
30	FB4 - 2237 - 000		1	TERMINAL, FIXING BIAS	
31	FB4 - 2238 - 000		1	MOUNT, FIXING BIAS	
32	FB4 - 2254 - 000		1	CAM, RECIPROCATING INPUT	
33	FB4 - 2297 - 000		1	LEVER, DELIVERY SENSOR, 2	
34	FB4 - 2299 - 000		1	LEVER, DEFLECTOR, 1	
35	FB4 - 2300 - 000		1	LEVER, DEFLECTOR, 2	
36	FB4 - 2303 - 000		1	LEVER, DELIVERY SENSOR	
37	FB4 - 2305 - 020		2	DEFLECTOR, 1	
38	FB4 - 2306 - 020		2	DEFLECTOR, 2	
39	FB4 - 2307 - 020		1	DEFLECTOR, 3	
40	FB4 - 2308 - 020		1	DEFLECTOR, 4	
41	FB4 - 2310 - 000		1	LEVER, DELIVERY SENSOR, 3	
42	FB4 - 2312 - 000		2	ROLLER, DELIVERY AUXILIARY	
43	FB4 - 2314 - 000		2	BELT, TIMING	
44	FB4 - 2317 - 000		2	SPRING, LEAF	
45	FB4 - 2318 - 020		1	LEVER, REVERSE JAM SENSOR	
46	FB4 - 2327 - 000		1	TERMINAL, BIAS	
47	FB4 - 7878 - 000		1	COVER, TRANSFER	SEE NOTE 2
48	FB4 - 9797 - 020		1	COVER, FIXING/FEEDER, LOWER	
49	FB5 - 0527 - 000		1	DUCT, COOLING	
50	FB5 - 0539 - 000		1	SHAFT, SENSOR	
51	FB5 - 3407 - 000		6	ROLLER, DELIVERY, OUTER	
52	FB5 - 7075 - 000		1	SHAFT, DELIVERY	
53	FB5 - 7076 - 000		2	ROLLER, REVERSE AUXILIARY	
54	FB5 - 7655 - 000		1	SHAFT, EXTERNAL DELIVERY	
55	FB5 - 7656 - 000		1	GUIDE, DELIVERY REVERSE	
56	FB5 - 7671 - 000		1	GUIDE, PAPER PASS, 1	

FIGURE & KEY NO.	PART NUMBER	RANK	QTY	DESCRIPTION	SERIAL NUMBER / REMARKS
320 - 57	FB5 - 7672 - 000		1	GUIDE, PAPER PASS, 2	
58	FB5 - 7673 - 000		1	GUIDE, STOP	
59	FF5 - 6000 - 000		1	LEVER	
59 A	FS6 - 8386 - 000		1	LABEL, HANDLE, 2	
60	FF5 - 7845 - 000		1	TERMINAL, BIAS	
61	FF5 - 7846 - 000		1	LINK, ROTATING	
62	FF5 - 7850 - 000		1	LINK, SLIDE	
63	FF5 - 7855 - 000		1	LINK, LOCK RELEASE	
64	FF5 - 7880 - 000		1	SUPPORT, IDLER SHAFT, 4	
65	FF5 - 7881 - 000		1	SUPPORT, DELIVERY SHAFT	
66	FF5 - 7944 - 000		1	CROSSMEMBER, REGIST. PRESSURE	
67	FF5 - 8196 - 000		1	HANDLE, FIXING/FEEDER	
67 A	FS6 - 8387 - 000		1	LABEL, HANDLE, 1	
68	FF5 - 8654 - 040		1	COVER, FIXING/FEEDER	SEE NOTE 2
68 A	FS6 - 8703 - 000		1	LABEL, FIXING UNIT NUMBER	SEE NOTE 2
69	FF5 - 8736 - 000		1	GUIDE, DELIVERY, LOWER, 2	
70	FF5 - 8787 - 000		1	LINK, LATCH RELEASE, 1	
71	FF6 - 1017 - 000		1	MOTOR GEAR UNIT	
72	FG6 - 1871 - 000		1	CABLE, EXT. DELIVERY SENSOR	J184,210
72 A	VS1 - 5057 - 003		1	CONNECTOR, SNAP TIGHT	J210
73	FG6 - 1876 - 000		1	CABLE, FIXING HIGH-VOLTAGE	
74	FG6 - 1879 - 000		1	CABLE, LOCK SOLENOID	J204,205
74 A	VS1 - 5057 - 003		1	CONNECTOR, SNAP TIGHT	J205
74 B	VS1 - 5057 - 004		1	CONNECTOR, SNAP TIGHT	J204
75	FG6 - 8738 - 000		1	FIXING KNOB UNIT	
76	FH6 - 1548 - 000		1	FAN, COOLING	FM6 J209
77	FH6 - 1872 - 000		1	MOTOR, BRUSHLESS, DC 3.3W	M10 J651,652
78	FH6 - 1889 - 000		1	FAN, DC24V	FM13 J203
79	FH6 - 5014 - 000		1	CLUTCH, ELECTROMAGNETIC	CL3 J207
80	FH7 - 5834 - 000		1	SOLENOID	SL2 J196

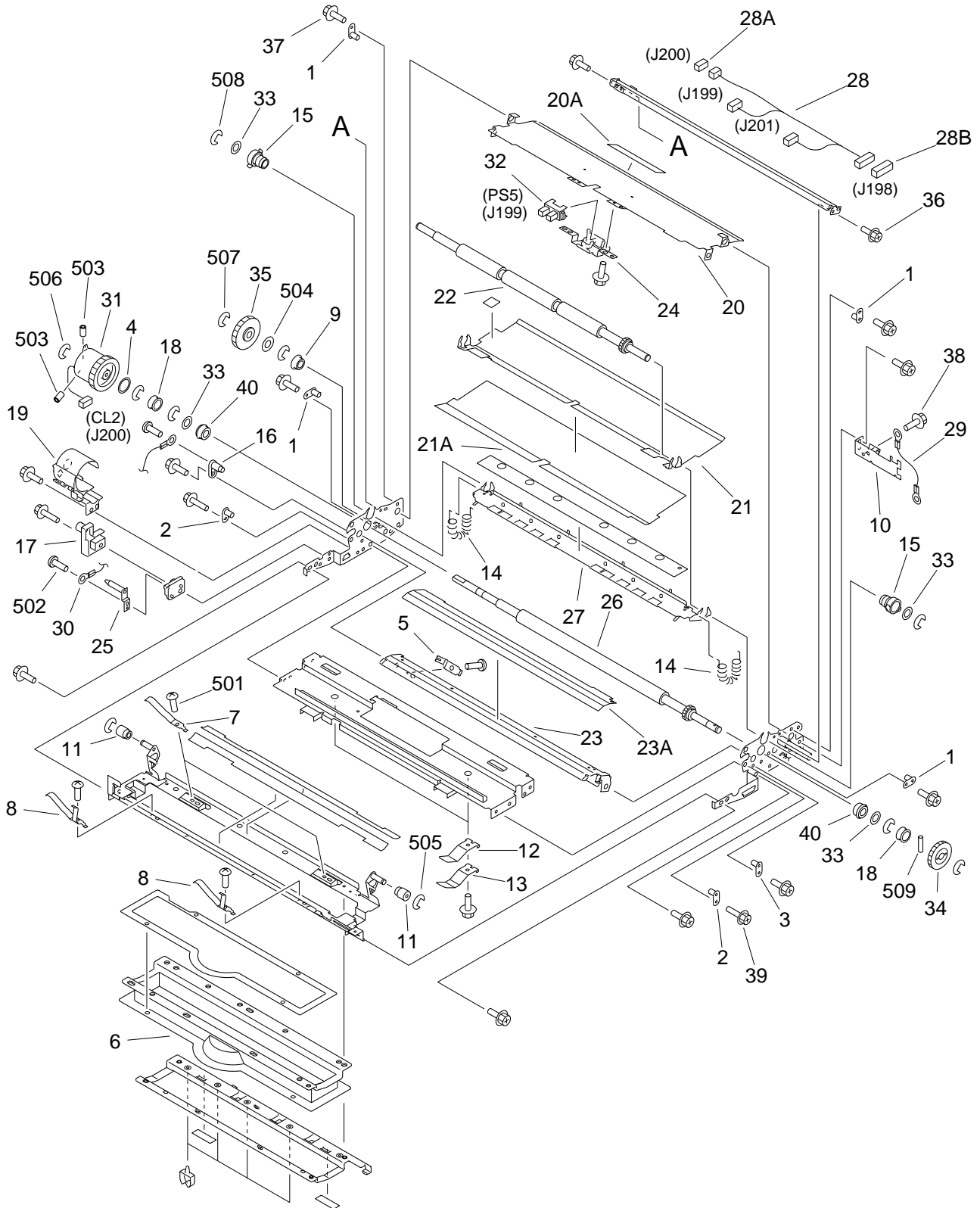
FIGURE & KEY NO.	PART NUMBER	RANK	QTY	DESCRIPTION	SERIAL NUMBER / REMARKS
320 - 81	FH7 - 5835 - 000		1	SOLENOID	SL3 J195
82	FH7 - 5844 - 000		1	CLUTCH, ELECTROMAGNETIC	CL21 J186
83	FH7 - 5895 - 000		1	SOLENOID	SL4 J205
84	FH7 - 7462 - 000		5	PHOTO-INTERRUPTER	PS9-11,16,28 J182,184,185,183,208
85	FS1 - 0542 - 000		1	GEAR, 22T	
86	FS1 - 1508 - 000		2	BUSHING	
87	FS1 - 9199 - 000		2	SCREW, STEPPED, M4	
88	FS2 - 0441 - 000		1	GEAR, 28T	
89	FS2 - 9001 - 000		1	SCREW, STEPPED, M4	
90	FS2 - 9267 - 000		2	SCREW, STEPPED, M4	
91	FS3 - 2159 - 000		1	SPRING, TENSION	
92	FS4 - 2048 - 000		1	SPRING, TENSION	
93	FS5 - 1467 - 020		1	BUSHING, 3	
94	FS5 - 1474 - 000		2	BUSHING	
95	FS5 - 1803 - 000		1	BUSHING	
96	FS5 - 2907 - 020		1	SPRING, TORSION	
97	FS5 - 2943 - 000		1	SPRING, TORSION	
98	FS5 - 2947 - 000		2	SPRING, TENSION	
99	FS5 - 2949 - 000		1	SPRING, TORSION	
100	FS5 - 2967 - 000		1	SPRING, TENSION	
101	FS5 - 3615 - 000		2	PULLEY, 18T	
102	FS5 - 6329 - 000		1	SHIM, HANDLE	
103	FS5 - 6487 - 000		1	SHIM	
104	FS5 - 6487 - 000		2	SHIM	
105	FS5 - 6488 - 000		4	WASHER	
106	FS5 - 6575 - 000		1	ROLLER, BACKLASH	
107	FS5 - 9210 - 000		1	SCREW, STEPPED, M4	
108	FS6 - 0081 - 000		1	GEAR, 20T	
109	FS6 - 0899 - 000		1	GEAR, 38T	
110	FS6 - 0991 - 000		1	GEAR, 37T	

FIGURE & KEY NO.	PART NUMBER	RANK	QTY	DESCRIPTION	SERIAL NUMBER / REMARKS
320 - 111	FS6 - 0992 - 000		1	GEAR, 28T/45T	
112	FS6 - 0993 - 000		1	GEAR, 39T/46T	
113	FS6 - 0994 - 000		1	GEAR, 16T/26T	
114	FS6 - 0995 - 000		1	GEAR, 21T	
115	FS6 - 0996 - 000		1	GEAR, 20T/38T	
116	FS6 - 0997 - 000		1	GEAR, 18T	
117	FS6 - 0998 - 000		1	GEAR, 15T/32T	
118	FS6 - 0999 - 000		1	GEAR, 30T	
119	FS6 - 2833 - 000		2	SPRING, TORSION	
120	FS6 - 2982 - 000		4	SPRING, TENSION	
121	FS7 - 0002 - 000		1	GEAR, 22T	
122	FS7 - 0006 - 000		1	GEAR, 25T/75T	
123	FS7 - 0899 - 000		1	GEAR, 20T	
124	VS1 - 5057 - 002		1	CONNECTOR, SNAP TIGHT	J195
125	VS1 - 5057 - 002		3	CONNECTOR, SNAP TIGHT	J186,196,207
126	VS1 - 5057 - 003		1	CONNECTOR, SNAP TIGHT	J203
127	VS1 - 5057 - 003		2	CONNECTOR, SNAP TIGHT	J202,209
128	VS1 - 6313 - 013		1	CONNECTOR, 13P, FEMALE	J197
129	VS1 - 6313 - 020		1	CONNECTOR, 20P, FEMALE	J180
130	VS1 - 6314 - 013		1	CONNECTOR, 13P, FEMALE	J197
131	VS1 - 6314 - 020		1	CONNECTOR, 20P, FEMALE	J180
132	VS1 - 6327 - 026		1	CONNECTOR, 26P, FEMALE	J197
133	VS1 - 6327 - 040		1	CONNECTOR, 40P, FEMALE	J180
134	VT2 - 5161 - 026		1	HOLDER, CONNECTOR, 26P	J197
135	VT2 - 5161 - 040		1	HOLDER, CONNECTOR, 40P	J180
136	WS3 - 5609 - 000		2	SOCKET CONTACT, 12-14AWG	J180
137	WT2 - 5565 - 000		6	CLAMP, CABLE	
138	XA9 - 0605 - 000		13	SCREW,M4X8	
139	XA9 - 0628 - 000		50	SCREW,RS,M4X8	
140	XA9 - 0628 - 000		16	SCREW,RS,M4X8	

FIGURE & KEY NO.	PART NUMBER	RANK	QTY	DESCRIPTION	SERIAL NUMBER / REMARKS
320 - 141	XA9 - 0643 - 000		3	SCREW,RS,M4X10	SEE NOTE 2
142	XA9 - 0807 - 000		3	SCREW, TP, M3X6	
143	XA9 - 0908 - 000		2	SCREW,RS,M4X8	
144	XA9 - 0940 - 000		1	SCREW,W/WASHER,M4X12	
145	XA9 - 1030 - 000		4	SCREW, RS, M4X12	
146	XG3 - 6012 - 405		2	BEARING, BALL	
147	XG9 - 0211 - 000		2	BALL BEARING, MF128ZZ1MC3D4M	
148	XG9 - 0211 - 000		2	BALL BEARING, MF128ZZ1MC3D4M	
149	XG9 - 0250 - 000		1	BEARING, BALL	
150	XG9 - 0250 - 000		1	BEARING, BALL	
151	XG9 - 0250 - 000		2	BEARING, BALL	
501	XB1 - 2260 - 407		4	SCREW,MACH.,TRUSS HEAD,M2.6X4	
502	XB1 - 2300 - 407		8	SCREW,MACH.,TRUSS HEAD,M3X4	
503	XB1 - 2300 - 609		1	SCREW,MACH.,TRUSS HEAD,M3X6	
504	XB1 - 2300 - 809		2	SCREW,MACH.,TRUSS HEAD,M3X8	
505	XB1 - 2400 - 407		1	SCREW,MACH.,TRUSS HEAD,M4X4	
506	XB1 - 2400 - 409		4	SCREW,MACH.,TRUSS HEAD,M4X4	
507	XB1 - 2400 - 609		46	SCREW,MACH.,TRUSS HEAD,M4X6	
508	XB1 - 2400 - 609		5	SCREW,MACH.,TRUSS HEAD,M4X6	
509	XB1 - 2404 - 009		2	SCREW,MACH.,TRUSS HEAD,M4X40	
510	XB2 - 7400 - 806		1	SCREW,W/WASHER,M4X8	
511	XB2 - 8401 - 009		4	SCREW,W/WASHER,M4X10	
512	XB4 - 7300 - 809		2	SCREW,TAPPING,TRUSS HEAD,M3X8	
513	XB4 - 7301 - 609		1	SCREW,TAPPING,TRUSS HEAD,M3X16	
514	XB6 - 2400 - 509		2	SETSCREW,M4X5	
515	XB6 - 7400 - 609		3	SCREW,TP,M4X6	
516	XB7 - 2100 - 309		1	NUT,HEX,M3	
517	XD1 - 1103 - 137		1	SHIM	
518	XD2 - 1100 - 172		2	RING,E	
519	XD2 - 1100 - 242		2	RING,E	

FIGURE & KEY NO.	PART NUMBER	RANK	QTY	DESCRIPTION	SERIAL NUMBER / REMARKS
320 - 520	XD2 - 1100 - 322		5	RING,E	
521	XD2 - 1100 - 502		15	RING,E	
522	XD2 - 1100 - 502		1	RING,E	
523	XD2 - 1100 - 602		1	RING,E	
524	XD2 - 1100 - 642		8	RING,E	
525	XD2 - 1100 - 642		35	RING,E	
526	XD2 - 1100 - 642		1	RING,E	
527	XD2 - 1100 - 642		6	RING,E	
528	XD2 - 1100 - 802		15	RING,E	
529	XD2 - 2100 - 802		1	RING,GRIP	
530	XD3 - 1200 - 102		1	PIN,SPRING	
531	XD3 - 1300 - 082		1	PIN,SPRING	
532	XD3 - 2200 - 102		3	PIN,DOWEL	
533	XD3 - 2200 - 122		1	PIN,DOWEL	
534	XD3 - 2200 - 142		7	PIN,DOWEL	
535	XD3 - 2200 - 162		1	PIN,DOWEL	
536	XD3 - 2200 - 202		1	PIN,DOWEL	
537	XD3 - 2300 - 202		1	PIN,DOWEL	
538	XD3 - 2300 - 322		1	PIN,DOWEL	

FIGURE 325 REGISTRATION/TRANSFER ASSEMBLY

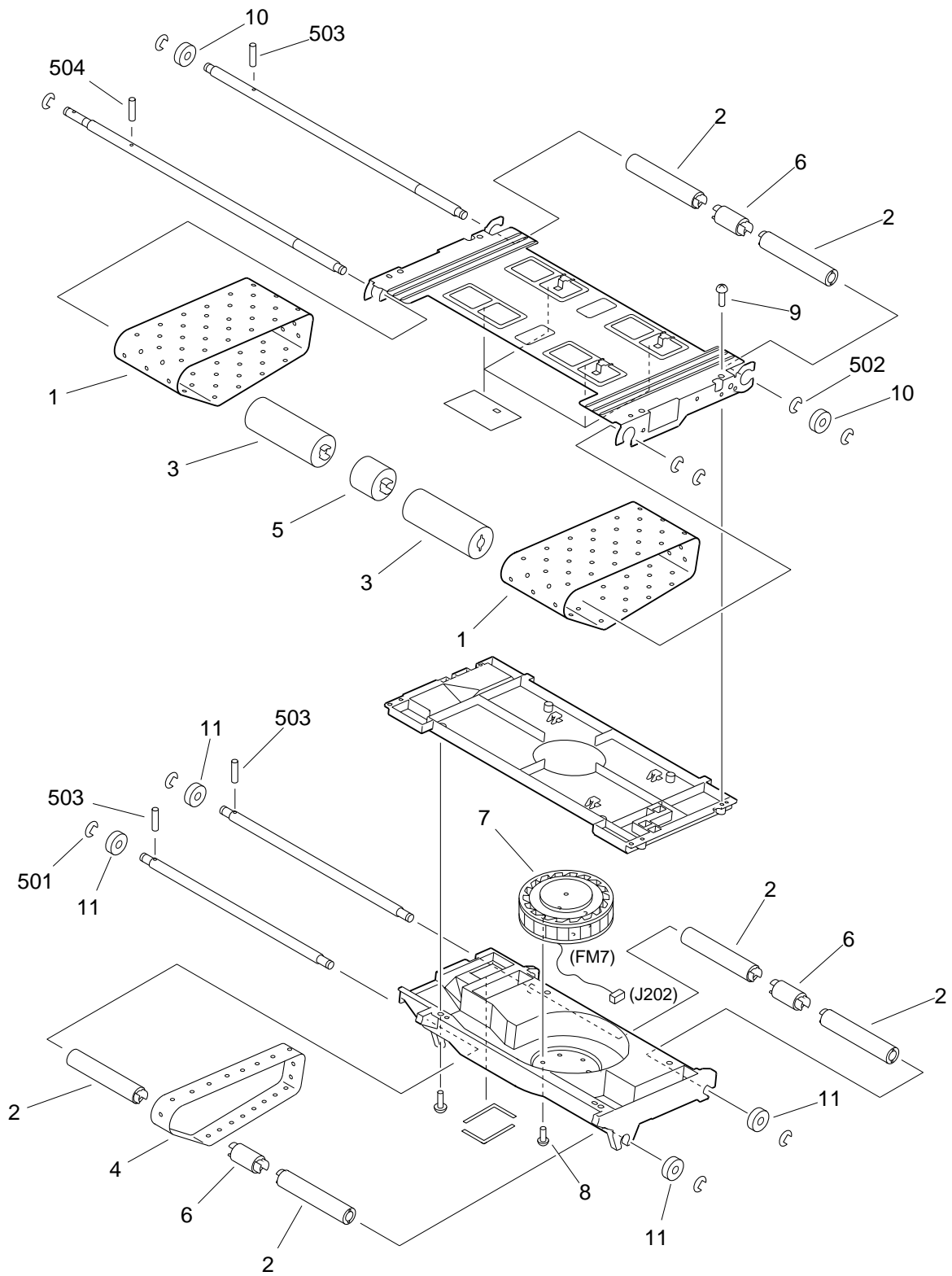


NOTE: This assembly is included in the assembly shown in Figure 320.

FIGURE & KEY NO.	PART NUMBER	RANK	QTY	DESCRIPTION	SERIAL NUMBER / REMARKS
325 -	FG6 - 7290 - 000		1	REGISTRATION/TRANSFER ASSEMBLY	SEE NOTE
1	FA3 - 9120 - 000		4	PIN, GUIDE	
2	FA4 - 1149 - 000		2	PIN, PLATE	
3	FA5 - 2839 - 000		1	PLATE, PIN	
4	FB2 - 6285 - 000		1	SHIM	
5	FB4 - 1670 - 000		1	TERMINAL, LOWER GUIDE	
6	FB4 - 1675 - 000		1	SEAL, DUCT JOINT	
7	FB4 - 1679 - 000		2	SPRING, LEAF	
8	FB4 - 1719 - 000		2	SPRING, LEAF	
9	FB4 - 2068 - 000		1	BUSHING	
10	FB4 - 2322 - 020		1	PLATE, STOP	
11	FB4 - 3850 - 000		2	COLLAR, POSITIONING	
12	FB4 - 3851 - 000		2	SPRING, LEAF	
13	FB4 - 3852 - 000		2	SPRING, LEAF	
14	FB4 - 3858 - 000		2	SPRING, TENSION	
15	FB4 - 3860 - 000		2	BUSHING	
16	FB4 - 9033 - 000		1	PLATE, PIN	
17	FB4 - 9515 - 000		1	COVER, TERMINAL	
18	FB5 - 7676 - 000		2	COLLAR, REGISTRATION, LOWER	
19	FB6 - 2372 - 000		1	COVER, REGISTRATION CLUTCH	
20	FF5 - 7872 - 000		1	GUIDE, REGISTRATION, LOWER	
20 A	FB4 - 3853 - 000		1	SHEET, PROTECTIVE	
21	FF5 - 7875 - 000		1	GUIDE, REGISTRATION, UPPER	
21 A	FB4 - 3857 - 000		1	SHEET, PROTECTIVE	
22	FF5 - 7877 - 000		1	ROLLER, REGISTRATION, UPPER	
23	FF5 - 7878 - 000		1	GUIDE, PRE-TRANSFER, LOWER	
23 A	FB4 - 1667 - 000		1	SHEET, PROTECTIVE	
24	FF5 - 8194 - 000		1	MOUNT, PAPER SENSOR	
25	FF5 - 8796 - 000		1	PIN, PAPER FEEDER	
26	FF6 - 1049 - 000		1	ROLLER, REGISTRATION, LOWER	

FIGURE & KEY NO.	PART NUMBER	RANK	QTY	DESCRIPTION	SERIAL NUMBER / REMARKS
325 - 27	FF6 - 1053 - 000		1	GUIDE, PRE-TRANSFER, UPPER	
28	FG6 - 1872 - 000		1	CABLE, REGISTRATION	J198-201
28 A	VS1 - 5057 - 002		1	CONNECTOR, SNAP TIGHT	J200
28 B	VS1 - 5057 - 007		1	CONNECTOR, SNAP TIGHT	J198
29	FG6 - 1873 - 000		1	CABLE, GROUNDING	
30	FG6 - 1874 - 000		1	CABLE, FEEDER HIGH-VOLTAGE	
31	FH6 - 5013 - 000		1	CLUTCH, ELECTROMAGNETIC	CL2 J200
32	FH7 - 7462 - 000		1	PHOTO-INTERRUPTER	PS5 J199
33	FS5 - 6487 - 000		4	SHIM	
34	FS6 - 0056 - 000		1	GEAR, 32T	
35	FS7 - 0901 - 000		1	GEAR, 38T	
36	XA9 - 0626 - 000		2	SCREW,RS,M3X6	
37	XA9 - 0628 - 000		21	SCREW,RS,M4X8	
38	XA9 - 0633 - 000		1	SCREW,RS,M4X8	
39	XA9 - 1030 - 000		3	SCREW, RS, M4X12	
40	XG9 - 0211 - 000		2	BALL BEARING, MF128ZZ1MC3D4M	
501	XB1 - 2300 - 409		4	SCREW,MACH.,TRUSS HEAD,M3X4	
502	XB2 - 7300 - 607		5	SCREW,W/WASHER,M3X6	
503	XB6 - 2400 - 609		2	SETSCREW,M4X6	
504	XD1 - 1108 - 212		1	SHIM	
505	XD2 - 1100 - 322		2	RING,E	
506	XD2 - 1100 - 402		1	RING,E	
507	XD2 - 1100 - 502		1	RING,E	
508	XD2 - 1100 - 642		8	RING,E	
509	XD3 - 2200 - 142		1	PIN,DOWEL	

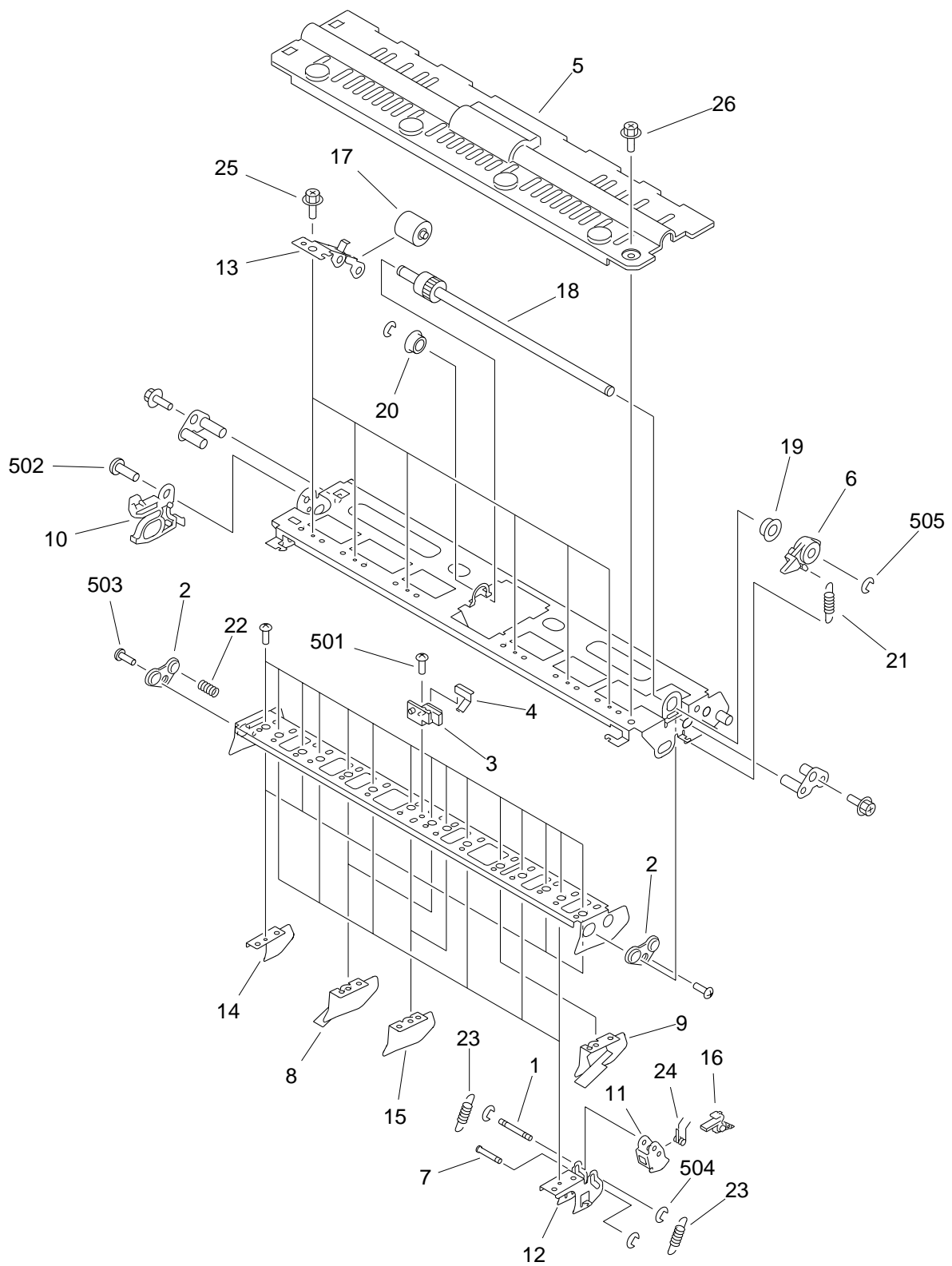
FIGURE 330 FEEDER ASSEMBLY



NOTE: This assembly is included in the assembly shown in Figure 320.

FIGURE & KEY NO.	PART NUMBER	RANK	QTY	DESCRIPTION	SERIAL NUMBER / REMARKS
330 -	FG6 - 7333 - 000		1	FEEDER ASSEMBLY	SEE NOTE
1	FB4 - 2087 - 000		2	BELT, PAPER FEED	
2	FB4 - 2088 - 000		6	ROLLER, IDLER	
3	FB4 - 2090 - 000		2	ROLLER, FEEDER BELT DRIVE	
4	FB4 - 2092 - 000		1	BELT, PAPER FEED	
5	FB4 - 2093 - 000		1	ROLLER, FEEDER BELT DRIVE	
6	FB4 - 2094 - 000		3	ROLLER, IDLER	
7	FH6 - 1889 - 000		1	FAN, DC24V	FM7 J202
8	XA9 - 0253 - 000		3	SCREW, MACH., PAN HEAD, M3X8	
9	XA9 - 0605 - 000		8	SCREW, M4X8	
10	XG9 - 0250 - 000		2	BEARING, BALL	
11	XG9 - 0387 - 000		4	BEARING, BALL	
501	XD2 - 1100 - 642		8	RING, E	
502	XD2 - 1100 - 802		2	RING, E	
503	XD3 - 2200 - 142		3	PIN, DOWEL	
504	XD3 - 2200 - 162		1	PIN, DOWEL	

FIGURE 350 INTERNAL DELIVERY UPPER ASSEMBLY

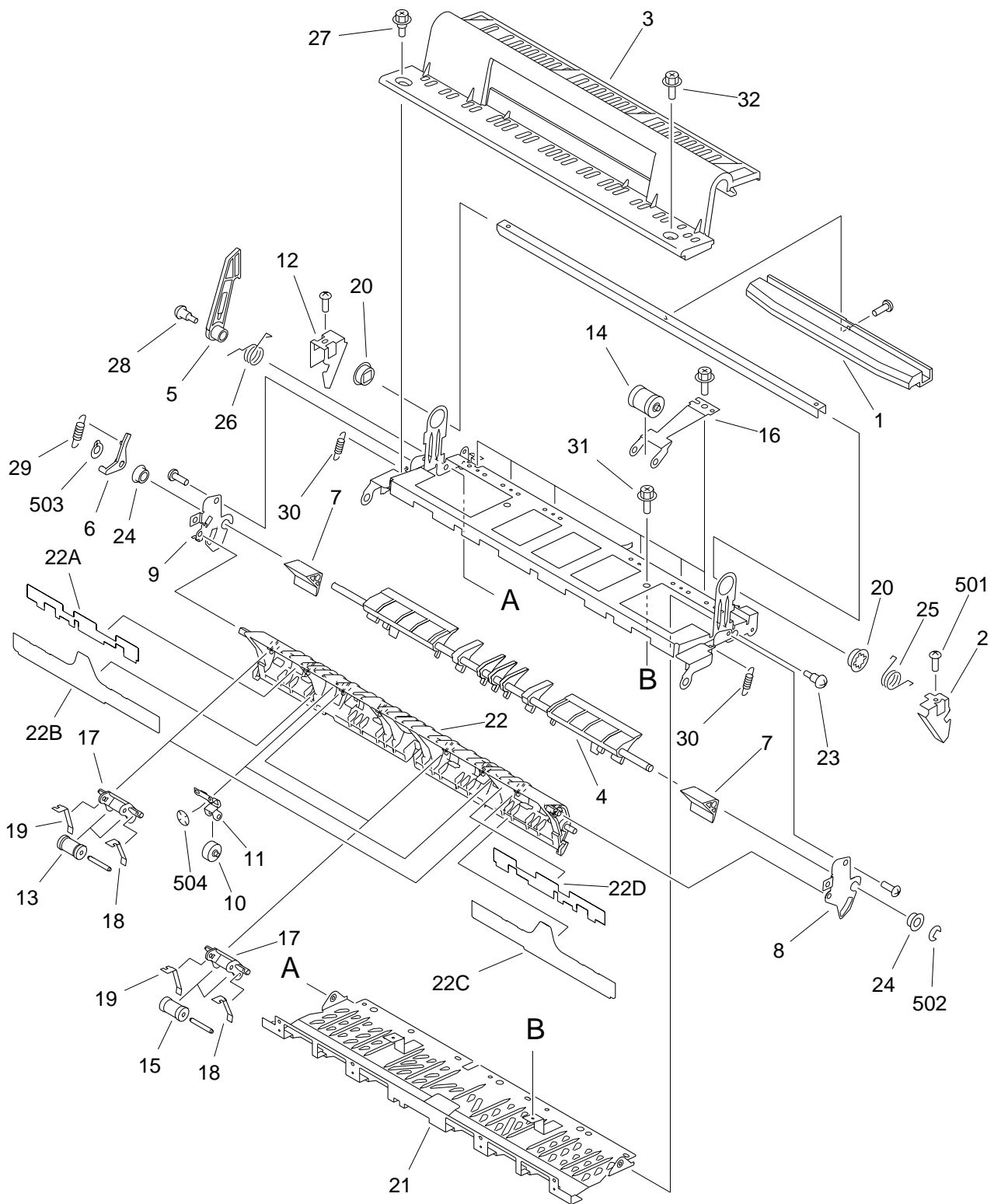


NOTE: This assembly is included in the assembly shown in Figure 320.

FIGURE & KEY NO.	PART NUMBER	RANK	QTY	DESCRIPTION	SERIAL NUMBER / REMARKS
350 -	FG6 - 7365 - 000		1	INTERNAL DELIVERY UPPER ASS'Y	SEE NOTE
1	FA3 - 2764 - 020		6	ROD 2, SEPARATION CLAW, UPPER	
2	FB2 - 7163 - 000		2	BUSHING	
3	FB2 - 7168 - 000		1	MOUNT, PIN	
4	FB2 - 7169 - 000		1	PLATE, RATCHET	
5	FB2 - 7174 - 040		1	COVER,INTERNAL DELIVERY,UPPER	
6	FB3 - 8369 - 000		1	LEVER, ONE-WAY	
7	FB3 - 8414 - 000		6	ROD 1, SEPARATION CLAW, UPPER	
8	FB4 - 2261 - 000		2	PLATE, UPPER GUIDE, 1	
9	FB4 - 2262 - 000		1	PLATE, UPPER GUIDE, 2	
10	FB4 - 2263 - 000		1	GUIDE, LOCK	
11	FB5 - 6974 - 000		6	MOUNT, CLAW, UPPER	
12	FB5 - 6976 - 000		6	SUPPORT, SEPARATION CLAW	
13	FB5 - 7666 - 000		6	HOLDER, FEEDER ROLLER	
14	FB5 - 7668 - 000		4	GUIDE, UPPER, 1	
15	FB5 - 8717 - 000		2	GUIDE, UPPER, 2	
16	FB5 - 8727 - 000		6	CLAW, SEPARATION, UPPER	
17	FB5 - 8729 - 000		6	ROLLER, INSIDE DELIVERY	
18	FF5 - 5914 - 000		1	SHAFT, RECIPROCATION	
19	FS1 - 1401 - 000		1	BUSHING	
20	FS5 - 1372 - 000		1	BUSHING	
21	FS5 - 2946 - 000		1	SPRING, TENSION	
22	FS5 - 2953 - 020		1	SPRING, COMPRESSION	
23	FS7 - 2319 - 000		12	SPRING, TENSION	
24	FS7 - 2522 - 000		6	SPRING, TORSION	
25	XA9 - 0625 - 000		6	SCREW,RS,M3X4	
26	XA9 - 0628 - 000		3	SCREW,RS,M4X8	
501	XB1 - 2300 - 409		16	SCREW,MACH.,TRUSS HEAD,M3X4	
502	XB1 - 2400 - 609		1	SCREW,MACH.,TRUSS HEAD,M4X6	
503	XB6 - 7300 - 609		2	SCREW,TP,M3X6	

FIGURE & KEY NO.	PART NUMBER	R A N K	Q' T Y	DESCRIPTION	SERIAL NUMBER / REMARKS
350 - 504	XD2 - 1100 - 242		18	RING,E	
505	XD2 - 1100 - 502		2	RING,E	

FIGURE 351 EXTERNAL DELIVERY UPPER ASSEMBLY



NOTE1: This assembly is included in the assembly shown in Figure 320.

NOTE2: This assembly does not include the parts shown with key No. 3, 27, and 32.

FIGURE & KEY NO.	PART NUMBER	RANK	QTY	DESCRIPTION	SERIAL NUMBER / REMARKS
351 -	FG6 - 7366 - 000		1	EXTERNAL DELIVERY UPPER ASS'Y	SEE NOTE 1
1	FB2 - 7137 - 000		1	HANDLE, FEEDER	
2	FB2 - 7181 - 000		1	PLATE, LOCK, FRONT	
3	FB4 - 2268 - 000		1	COVER,EXTERNAL DELIVERY,UPPER	SEE NOTE 2
4	FB4 - 2270 - 000		1	DEFLECTOR, 1	
5	FB4 - 2271 - 000		1	ARM, LOCK	
6	FB4 - 2272 - 000		1	ARM, DEFLECTOR	
7	FB4 - 2284 - 000		2	GUIDE, AUXILIARY, 1	
8	FB4 - 2288 - 000		1	SUPPORT, DEFLECTOR, FRONT	
9	FB4 - 2289 - 000		1	SUPPORT, DEFLECTOR, REAR	
10	FB4 - 2293 - 000		2	ROLLER, IDLER	
11	FB4 - 2294 - 000		2	HOLDER, ROLLER	
12	FB5 - 2508 - 000		1	PLATE, LOCK, REAR	
13	FB5 - 3395 - 000		4	ROLLER, CURL	
14	FB5 - 3410 - 000		6	ROLLER, EXTERNAL DELIVERY	
15	FB5 - 3421 - 000		4	ROLLER, CURL, 2	
16	FB5 - 7657 - 000		6	HOLDER, FEEDER ROLLER	
17	FB5 - 7662 - 000		4	HOLDER, ROLLER	
18	FB5 - 7663 - 000		4	SPRING, LEAF	
19	FB5 - 7664 - 000		4	SPRING, LEAF	
20	FC1 - 7438 - 000		2	BUSHING	
21	FF6 - 1029 - 000		1	GUIDE, EXTERNAL DELIVERY	
22	FF6 - 1046 - 000		1	GUIDE, FEEDER ROLLER	
22 A	FB5 - 7674 - 000		1	SHEET, PROTECTIVE	
22 B	FB5 - 7677 - 000		1	SHEET, PROTECTIVE	
22 C	FB5 - 7678 - 000		1	SHEET, PROTECTIVE	
22 D	FB5 - 8718 - 000		1	SHEET, PROTECTIVE	
23	FS1 - 9199 - 000		1	SCREW,STEPPED,M4	
24	FS5 - 1004 - 000		2	BUSHING, POLYACETAR	
25	FS5 - 2944 - 000		1	SPRING, TORSION	

FIGURE & KEY NO.	PART NUMBER	RANK	QTY	DESCRIPTION	SERIAL NUMBER / REMARKS
351 - 26	FS5 - 2982 - 000		1	SPRING, TORSION	SEE NOTE 2
27	FS5 - 9277 - 000		1	SCREW,RS STEPPED,M4	
28	FS5 - 9284 - 000		1	SCREW,STEPPED	
29	FS6 - 2885 - 000		1	SPRING, TENSION	
30	FS6 - 2886 - 000		2	SPRING, TENSION	
31	XA9 - 0626 - 000		8	SCREW,RS,M3X6	SEE NOTE 2
32	XA9 - 0628 - 000		1	SCREW,RS,M4X8	
501	XB1 - 2300 - 609		7	SCREW,MACH.,TRUSS HEAD,M3X6	
502	XD2 - 1100 - 402		1	RING,E	
503	XD2 - 2100 - 502		1	RING,GRIP	
504	XD2 - 2300 - 242		4	RING,TOOTHED LOCK	

FIGURE 360 DUPLEXING FEEDER ASSEMBLY(1/3)

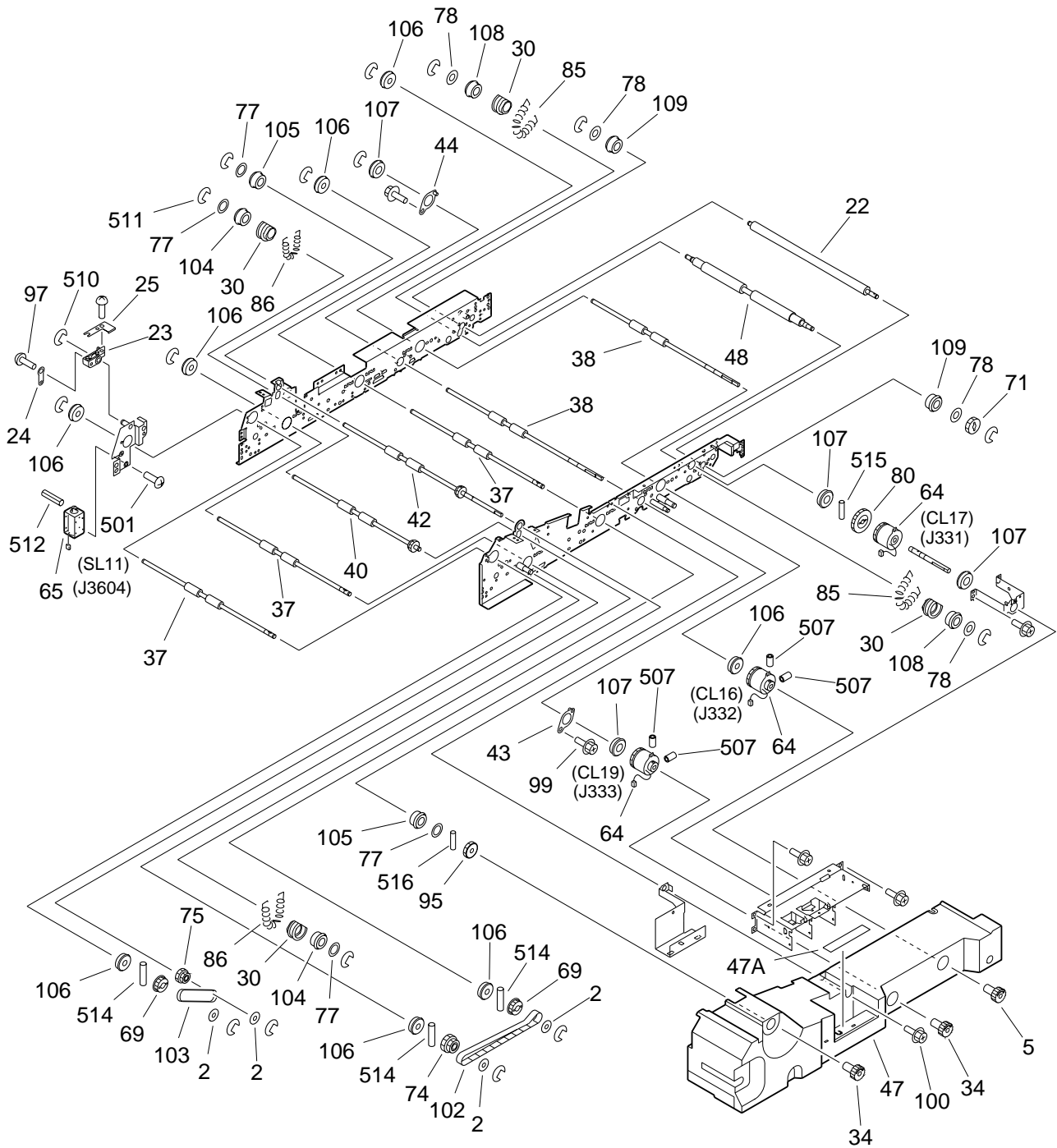


FIGURE 360 DUPLEXING FEEDER ASSEMBLY(2/3)

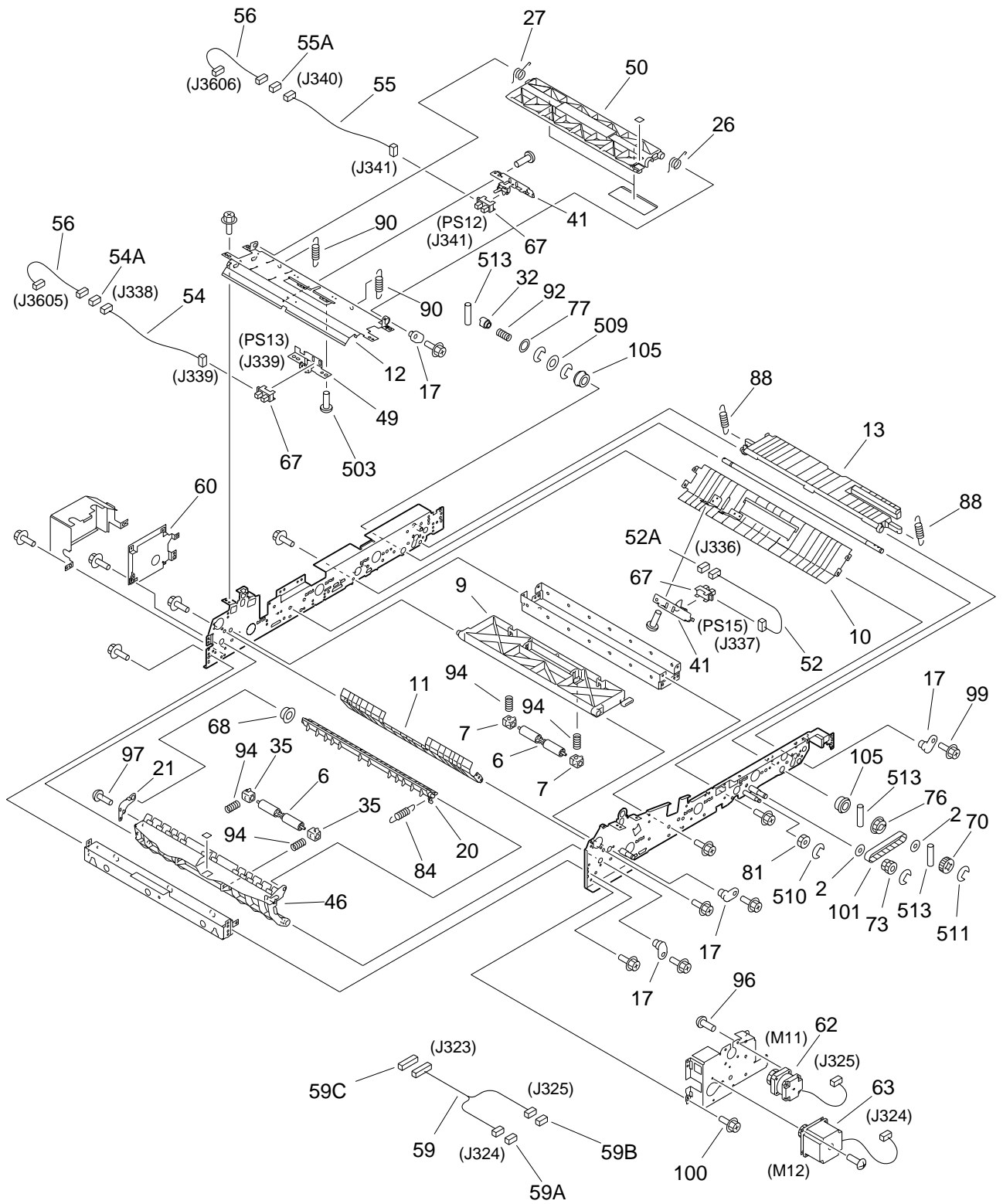


FIGURE 360 DUPLEXING FEEDER ASSEMBLY(3/3)

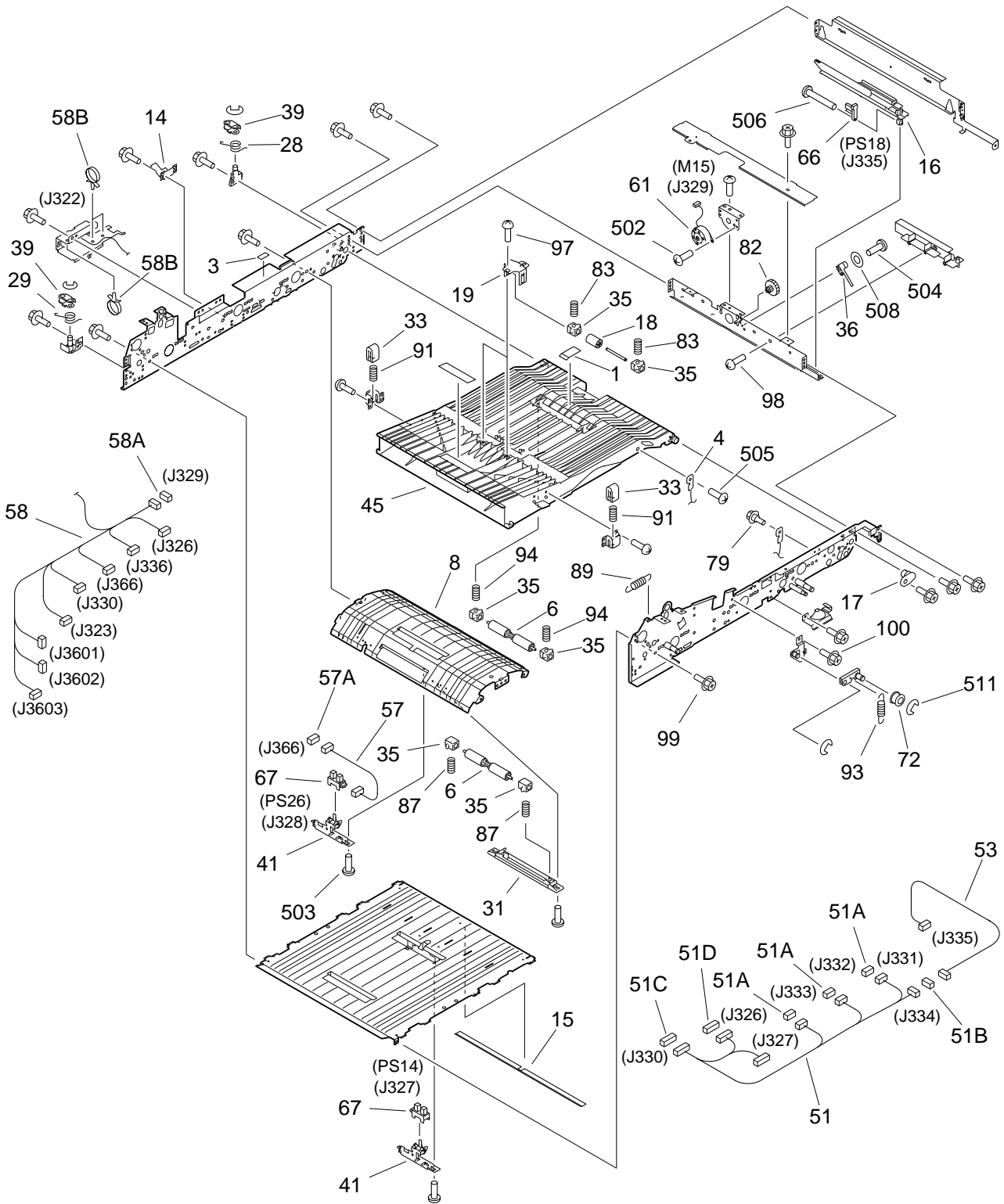


FIGURE & KEY NO.	PART NUMBER	R A N K	Q' T Y	DESCRIPTION	SERIAL NUMBER / REMARKS
360 -	FG6 - 7363 - 000		1	DUPLEXING FEEDER ASSEMBLY	
1	FA6 - 3672 - 000		1	PLATE, LOWER FEEDER SUPPORT	
2	FA6 - 7939 - 000		6	FLANGE, PULLEY, 2	
3	FA9 - 3805 - 000		1	LABEL, DISCRIMINATE	
4	FB1 - 7041 - 000		1	WIRE, RIGHT DOOR SUPPORTING	
5	FB2 - 2139 - 020		1	KNOB	
6	FB2 - 7754 - 030		4	ROLLER	
7	FB2 - 7755 - 000		2	BUSHING	
8	FB4 - 2104 - 000		1	GUIDE, LOWER FEEDER, RIGHT	
9	FB4 - 2106 - 000		1	GUIDE, REVERSE DELIVERY	
10	FB4 - 2111 - 000		1	GUIDE, LEFT DECK	
11	FB4 - 2113 - 000		1	GUIDE, REVERSING, LOWER	
12	FB4 - 2114 - 020		1	GUIDE, REVERSING, UPPER	
13	FB4 - 2119 - 000		1	GUIDE, DUPLEXING OUTLET	
14	FB4 - 2121 - 000		1	PLATE, DECK PRESSURE	
15	FB4 - 2122 - 000		1	SHEET, FEEDER, LOWER	
16	FB4 - 2124 - 000		1	GUIDE, SIDE REGISTRATION SLIDE	
17	FB4 - 2131 - 000		5	GUIDE, HINGE	
18	FB4 - 2132 - 000		2	ROLLER, FEED	
19	FB4 - 2133 - 000		2	HOLDER, ROLLER	
20	FB4 - 2135 - 000		1	DEFLECTOR	
21	FB4 - 2136 - 000		1	SUPPORT, DEFLECTOR	
22	FB4 - 2145 - 000		1	ROLLER, STEEL	
23	FB4 - 2149 - 000		1	ARM, SOLENOID	
24	FB4 - 2150 - 000		1	LINK, SOLENOID	
25	FB4 - 2151 - 000		1	PLATE, FLAPPER PRESSURE	
26	FB4 - 2152 - 000		1	SPRING, TORSION	
27	FB4 - 2153 - 000		1	SPRING, TORSION	
28	FB4 - 2155 - 000		1	SPRING, TORSION	
29	FB4 - 2156 - 000		1	SPRING, TORSION	

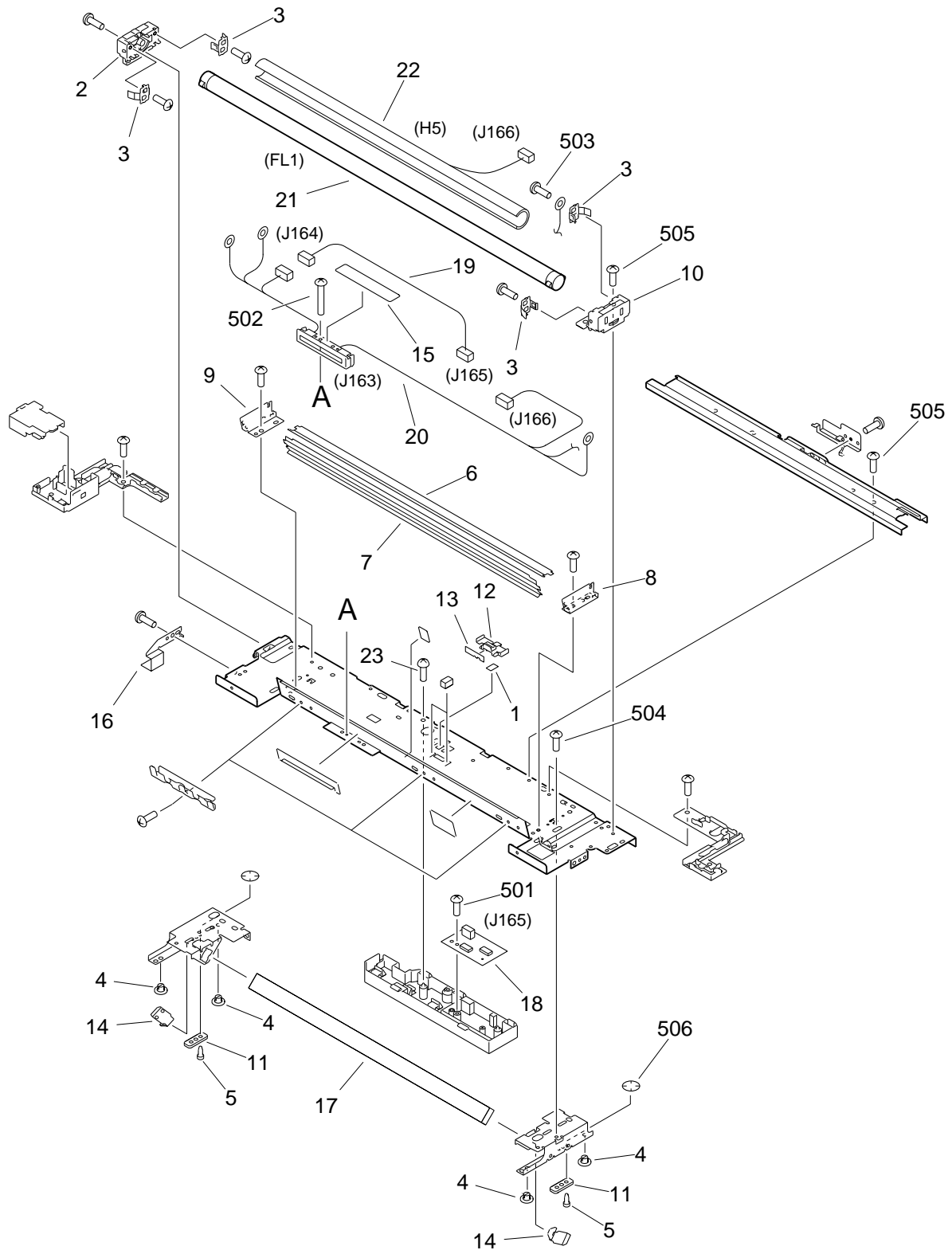
FIGURE & KEY NO.	PART NUMBER	RANK	QTY	DESCRIPTION	SERIAL NUMBER / REMARKS
360 - 30	FB4 - 2159 - 000		4	HOLDER, BUSHING	
31	FB4 - 2161 - 000		1	HOLDER, ROLLER	
32	FB4 - 2164 - 000		1	COUPLING	
33	FB4 - 2325 - 000		2	BLOCK, GUIDE PRESSURE	
34	FB4 - 7481 - 000		2	KNOB, DUPLEXING FEEDER	
35	FB4 - 7486 - 000		10	BUSHING	
36	FB4 - 9035 - 000		1	PLATE, RETAINER	
37	FB5 - 2626 - 000		3	ROLLER, FEEDER	
38	FB5 - 6925 - 000		2	ROLLER, FEEDER	
39	FF5 - 7734 - 000		2	PLATE, LOCK	
40	FF5 - 7736 - 000		1	ROLLER, REVERSE, 1	
41	FF5 - 7737 - 020		4	PLATE, SENSOR SUPPORT	
42	FF5 - 7738 - 000		1	ROLLER, REVERSE, 2	
43	FF5 - 7948 - 000		1	PLATE, POSITIONING, FRONT	
44	FF5 - 7949 - 000		1	PLATE, POSITIONING, REAR	
45	FF5 - 8200 - 000		1	GUIDE, LOWER FEEDER, UPPER	
46	FF5 - 8202 - 000		1	GUIDE, LEFT	
47	FF5 - 8652 - 000		1	FRONT COVER, DUPLEXING	
47 A	FS6 - 8704 - 000		1	LABEL, DUPLEXING UNIT NUMBER	
48	FF6 - 1342 - 000		1	ROLLER, SPONGE, DUPLEXING	
49	FF6 - 1858 - 000		1	MOUNT, REVERSE SENSOR	
50	FF9 - 1910 - 000		1	GUIDE, REVERSING	
51	FG6 - 1839 - 000		1	CABLE, DUPLEXING FEEDER	J326,327,330-334
51 A	VS1 - 5057 - 002		3	CONNECTOR, SNAP TIGHT	J331-333
51 B	VS1 - 5057 - 003		1	CONNECTOR, SNAP TIGHT	J334
51 C	VS1 - 5057 - 009		1	CONNECTOR, SNAP TIGHT	J330
51 D	VS1 - 6318 - 003		1	CONNECTOR, SNAP TIGHT	J326
52	FG6 - 1840 - 000		1	CABLE, CONFLUENT SENSOR	J336,337
52 A	VS1 - 5057 - 003		1	CONNECTOR, SNAP TIGHT	J336
53	FG6 - 1841 - 000		1	CABLE, REGIST SENSOR CONNECT	J334,335

FIGURE & KEY NO.	PART NUMBER	RANK	QTY	DESCRIPTION	SERIAL NUMBER / REMARKS
360 - 54	FG6 - 1842 - 000		1	CABLE, U-TURN SENSOR	J338,339
54 A	VS1 - 5057 - 003		1	CONNECTOR, SNAP TIGHT	J338
55	FG6 - 1843 - 000		1	CABLE, REVERSING SENSOR	J340,341
55 A	VS1 - 5057 - 003		1	CONNECTOR, SNAP TIGHT	J340
56	FG6 - 1906 - 000		2	CABLE, CASSETTE PAPER SENSOR	J338,340,3605,3606
57	FG6 - 2332 - 000		1	CABLE, DECK SENSOR CONNECTING	J328,366
57 A	VS1 - 6318 - 004		1	CONNECTOR, SNAP TIGHT	J366
58	FG6 - 7209 - 000		1	CABLE, DUPLEXING FEEDER	J322,323,326,329,330 J336,366,3601-3603
58 A	VS1 - 5057 - 006		1	CONNECTOR, SNAP TIGHT	J329
58 B	WT2 - 5178 - 000		3	CLIP, CABLE	
59	FG6 - 7210 - 000		1	CABLE, MOTOR CONNECTING	J323-325
59 A	VS1 - 5057 - 006		1	CONNECTOR, SNAP TIGHT	J324
59 B	VS1 - 5057 - 007		1	CONNECTOR, SNAP TIGHT	J325
59 C	VS1 - 6318 - 012		1	CONNECTOR, SNAP TIGHT	J323
60	FG6 - 7273 - 000		1	THROUGH-PATH PCB ASSEMBLY	
61	FH6 - 1542 - 000		1	MOTOR, STEPPING, DC, 2.9W	M15 J329
62	FH6 - 1875 - 000		1	MOTOR, STEPPING	M11 J325
63	FH6 - 1876 - 000		1	MOTOR, STEPPING	M12 J324
64	FH6 - 5014 - 000		3	CLUTCH, ELECTROMAGNETIC	CL16,17,19 J332,331,333
65	FH7 - 5837 - 000		1	SOLENOID	SL11 J3604
66	FH7 - 7196 - 020		1	PHOTO-INTERRUPTER	PS18 J335
67	FH7 - 7462 - 000		5	PHOTO-INTERRUPTER	PS12-15,26 J341,339,327,337,328
68	FS1 - 1401 - 000		1	BUSHING	
69	FS2 - 3488 - 000		2	PULLEY, 32T	
70	FS5 - 0514 - 000		1	GEAR, 20T	
71	FS5 - 0714 - 000		1	GEAR, 20T	
72	FS5 - 3612 - 000		1	PULLEY	
73	FS5 - 3613 - 000		1	GEAR, 16T/24T	
74	FS5 - 3614 - 000		1	GEAR, 22T/32T	
75	FS5 - 3616 - 000		1	GEAR, 22T/32T	

FIGURE & KEY NO.	PART NUMBER	RANK	QTY	DESCRIPTION	SERIAL NUMBER / REMARKS
360 - 76	FS5 - 3617 - 000		1	PULLEY, 30T	
77	FS5 - 6487 - 000		7	SHIM	
78	FS5 - 6488 - 000		4	WASHER	
79	FS5 - 9221 - 000		1	SCREW,RS STEPPED,M3	
80	FS6 - 0070 - 000		1	GEAR, 40T	
81	FS6 - 0145 - 000		1	GEAR, 16T	
82	FS6 - 0557 - 000		1	GEAR, 12T/36T	
83	FS6 - 2769 - 000		4	SPRING, COMPRESSION	
84	FS6 - 2770 - 000		1	SPRING, TENSION	
85	FS6 - 2771 - 000		2	SPRING, TENSION	
86	FS6 - 2772 - 000		2	SPRING, TENSION	
87	FS6 - 2773 - 000		2	SPRING, COMPRESSION	
88	FS6 - 2777 - 000		2	SPRING, TENSION	
89	FS6 - 2830 - 000		1	SPRING, TENSION	
90	FS6 - 2831 - 000		2	SPRING, TENSION	
91	FS6 - 2832 - 000		2	SPRING, COMPRESSION	
92	FS6 - 2980 - 000		1	SPRING, COMPRESSION	
93	FS6 - 2989 - 000		1	SPRING, TENSION	
94	FS6 - 2992 - 000		6	SPRING, COMPRESSION	
95	FS7 - 0903 - 000		1	GEAR, 26T	
96	XA9 - 0253 - 000		6	SCREW,MACH.,PAN HEAD, M3X8	
97	XA9 - 0605 - 000		5	SCREW,M4X8	
98	XA9 - 0605 - 000		1	SCREW,M4X8	
99	XA9 - 0628 - 000		47	SCREW,RS,M4X8	
100	XA9 - 0908 - 000		10	SCREW,RS,M4X8	
101	XF9 - 0662 - 000		1	BELT, TIMING	
102	XF9 - 0663 - 000		1	BELT, TIMING	
103	XF9 - 0664 - 000		1	BELT, TIMING	
104	XG2 - 8012 - 355		2	BEARING, BALL	
105	XG9 - 0211 - 000		4	BALL BEARING, MF128ZZ1MC3D4M	

FIGURE & KEY NO.	PART NUMBER	RANK	QTY	DESCRIPTION	SERIAL NUMBER / REMARKS
360 - 106	XG9 - 0249 - 000		8	BEARING, BALL	
107	XG9 - 0250 - 000		4	BEARING, BALL	
108	XG9 - 0291 - 000		2	BEARING, BALL	
109	XG9 - 0362 - 000		2	BEARING, BALL, DDL-1260ZZR	
501	XB1 - 2300 - 409		4	SCREW,MACH.,TRUSS HEAD,M3X4	
502	XB1 - 2300 - 409		2	SCREW,MACH.,TRUSS HEAD,M3X4	
503	XB1 - 2400 - 609		18	SCREW,MACH.,TRUSS HEAD,M4X6	
504	XB1 - 2400 - 609		2	SCREW,MACH.,TRUSS HEAD,M4X6	
505	XB4 - 7300 - 809		1	SCREW,TAPPING,TRUSS HEAD,M3X8	
506	XB4 - 7301 - 209		1	SCREW,TAPPING,TRUSS HEAD,M3X12	
507	XB6 - 2400 - 509		4	SETSCREW,M4X5	
508	XD1 - 1104 - 139		1	SHIM	
509	XD1 - 1108 - 229		1	SHIM	
510	XD2 - 1100 - 502		2	RING,E	
511	XD2 - 1100 - 642		34	RING,E	
512	XD3 - 1300 - 082		1	PIN,SPRING	
513	XD3 - 2200 - 122		3	PIN,DOWEL	
514	XD3 - 2200 - 142		3	PIN,DOWEL	
515	XD3 - 2200 - 162		2	PIN,DOWEL	
516	XD3 - 2200 - 182		1	PIN,DOWEL	

FIGURE 420 MIRROR ASSEMBLY 1 (iR8500/8500P TYPE)



NOTE: This assembly does not include the part shown with key No.15.

FIGURE & KEY NO.	PART NUMBER	RANK	QTY	DESCRIPTION	SERIAL NUMBER / REMARKS
420 -	FG6 - 2036 - 060		1	MIRROR ASSEMBLY 1	iR8500/8500P TYPE
1	FB1 - 0715 - 000		1	ND FILTER	
2	FB2 - 1947 - 000		1	MOUNT, LAMP, FRONT	
3	FB2 - 1954 - 000		4	PLATE, CONTACT	
4	FB3 - 2411 - 000		4	PIN, SLIDE	
5	FB3 - 7692 - 000		4	PIN, PAD, 2	
6	FB4 - 0786 - 000		1	REFLECTOR, LOWER	
7	FB4 - 0787 - 000		1	REFLECTOR, AUXILIARY	
8	FB4 - 0788 - 000		1	REFLECTOR, FRONT	
9	FB4 - 0789 - 000		1	REFLECTOR, REAR	
10	FB4 - 0795 - 000		1	MOUNT, TERMINAL	
11	FB4 - 0802 - 000		2	PAD, OIL	
12	FB4 - 0804 - 000		1	CAP, SENSOR	
13	FB4 - 0832 - 000		1	PLATE, LIGHT BLOCKING	
14	FB4 - 0864 - 000		2	SPRING, LEAF, MIRROR	
15	FB4 - 0867 - 000		1	LABEL, "WARNING"	SEE NOTE 100V
	FB4 - 0868 - 000		1	LABEL, "WARNING"	SEE NOTE 208/220/240V
16	FB4 - 2385 - 000		1	FLAG, SENSOR	
17	FF5 - 6579 - 000		1	MIRROR, 1	
18	FG6 - 1943 - 000		1	EXPOSURE SENSOR PCB ASSEMBLY	J165
19	FG6 - 2326 - 000		1	CABLE, EXPOSURE SENSOR	J164,165
20	FH2 - 6453 - 000		1	CABLE, FLUORESCENT LAMP	J163,164,166
21	FH7 - 3347 - 000		1	LAMP, FLUORESCENT	FL1
22	FH7 - 4559 - 000		1	HEATER, FLUORESCENT LAMP	H5 J166
23	XA9 - 0596 - 000		1	SCREW,P,M3X6	
501	XB1 - 2300 - 409		1	SCREW,MACH.,TRUSS HEAD,M3X4	
502	XB1 - 2301 - 209		2	SCREW,MACH.,TRUSS HEAD,M3X12	
503	XB2 - 8300 - 607		4	SCREW,W/WASHER,M3X6	
504	XB2 - 8300 - 809		4	SCREW,W/WASHER,M3X8	
505	XB6 - 7300 - 609		15	SCREW,TP,M3X6	

FIGURE & KEY NO.	PART NUMBER	R A N K	Q' T Y	DESCRIPTION	SERIAL NUMBER / REMARKS
420 - 506	XD2 - 2300 - 202		4	RING,TOOTHED LOCK	

FIGURE 421 MIRROR ASSEMBLY 1 (iR7200/7200P TYPE)

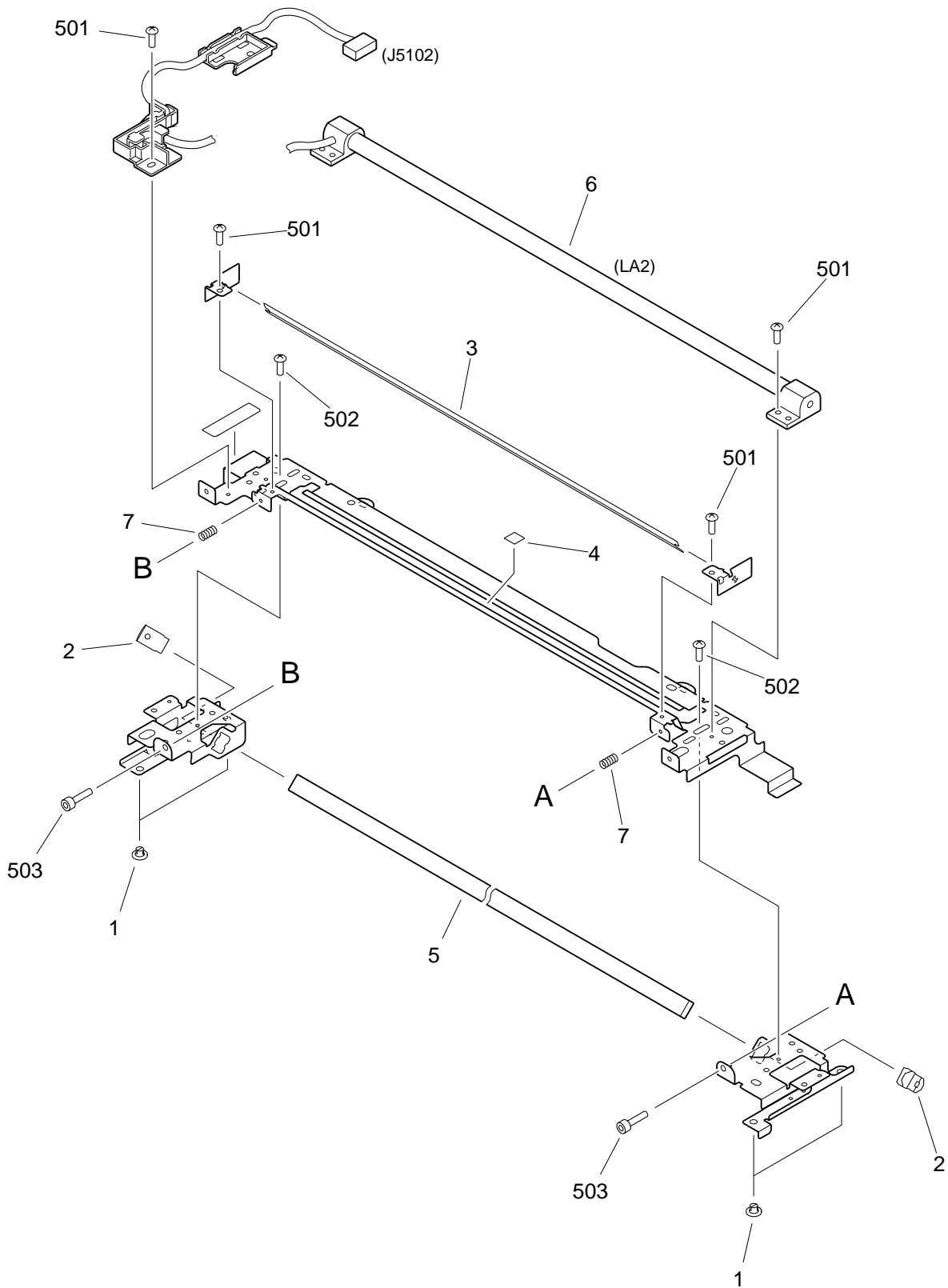


FIGURE & KEY NO.	PART NUMBER	RANK	QTY	DESCRIPTION	SERIAL NUMBER / REMARKS
421 -	FG6 - 5918 - 000		1	MIRROR ASSEMBLY 1	iR7200/7200P TYPE
1	FB3 - 2411 - 000		4	PIN, SLIDE	
2	FB4 - 5434 - 000		2	SPRING, LEAF	
3	FB5 - 3068 - 000		1	REFLECTOR	
4	FB5 - 3069 - 000		1	PAD, REFLECTOR	
5	FF5 - 9825 - 000		1	MIRROR, 1	
6	FG6 - 5943 - 000		1	LAMP ASSEMBLY	LA101 J5102
7	FS6 - 2341 - 000		2	SPRING, COMPRESSION	
501	XB2 - 8300 - 809		3	SCREW,W/WASHER,M3X8	
502	XB6 - 7300 - 409		4	SCREW,TP,M3X4	
503	XB7 - 1030 - 169		2	BOLT, HEX SKT, M3X16	

FIGURE 430 MIRROR ASSEMBLY 2 (iR8500/8500P TYPE)

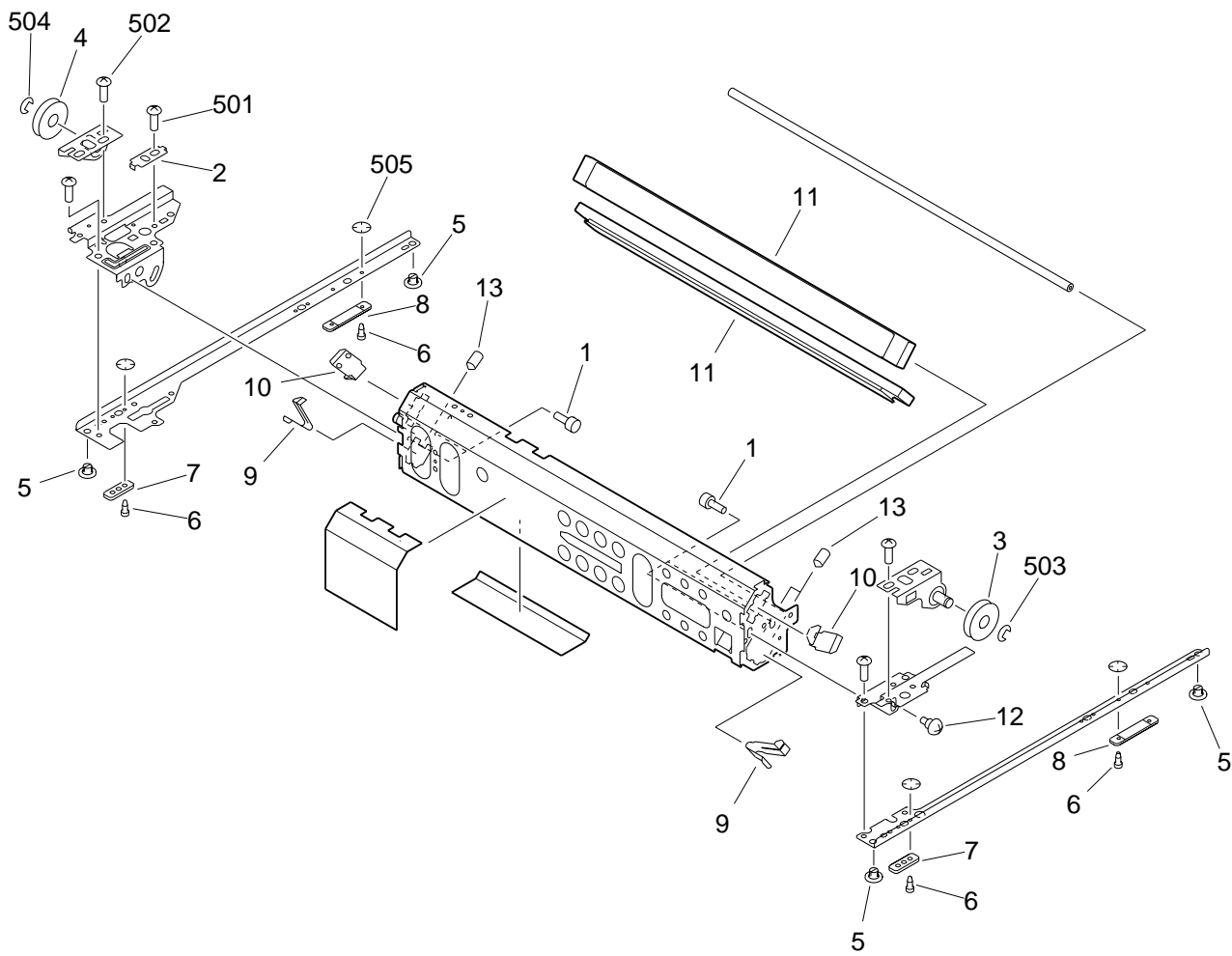


FIGURE & KEY NO.	PART NUMBER	R A N K	Q' T Y	DESCRIPTION	SERIAL NUMBER / REMARKS
430 -	FG6 - 4380 - 000		1	MIRROR ASSEMBLY 2	iR8500/8500P TYPE
1	FA9 - 1990 - 000		4	SCREW,ALLEN HEAD,M3X6	
2	FB1 - 6655 - 000		1	PLATE	
3	FB1 - 6663 - 000		1	PULLEY	
4	FB1 - 6663 - 000		1	PULLEY	
5	FB3 - 2411 - 000		4	PIN, SLIDE	
6	FB3 - 7692 - 000		8	PIN, PAD, 2	
7	FB4 - 0802 - 000		2	PAD, OIL	
8	FB4 - 0825 - 000		2	PAD, OIL, LEFT	
9	FB4 - 0831 - 000		2	SPRING, LEAF	
10	FB4 - 0864 - 000		2	SPRING, LEAF, MIRROR	
11	FF5 - 6581 - 000		2	MIRROR, 2/3	
12	FS1 - 9009 - 000		2	SCREW,STEPPED,M3	
13	XA9 - 0425 - 000		3	SETSCREW,HEX SOCKET	
501	XB1 - 2300 - 409		3	SCREW,MACH.,TRUSS HEAD,M3X4	
502	XB6 - 7300 - 409		9	SCREW,TP,M3X4	
503	XD2 - 1100 - 642		1	RING,E	
504	XD2 - 1100 - 642		1	RING,E	
505	XD2 - 2300 - 202		8	RING,TOOTHED LOCK	

FIGURE 431 MIRROR ASSEMBLY 2 (iR7200/7200P TYPE)

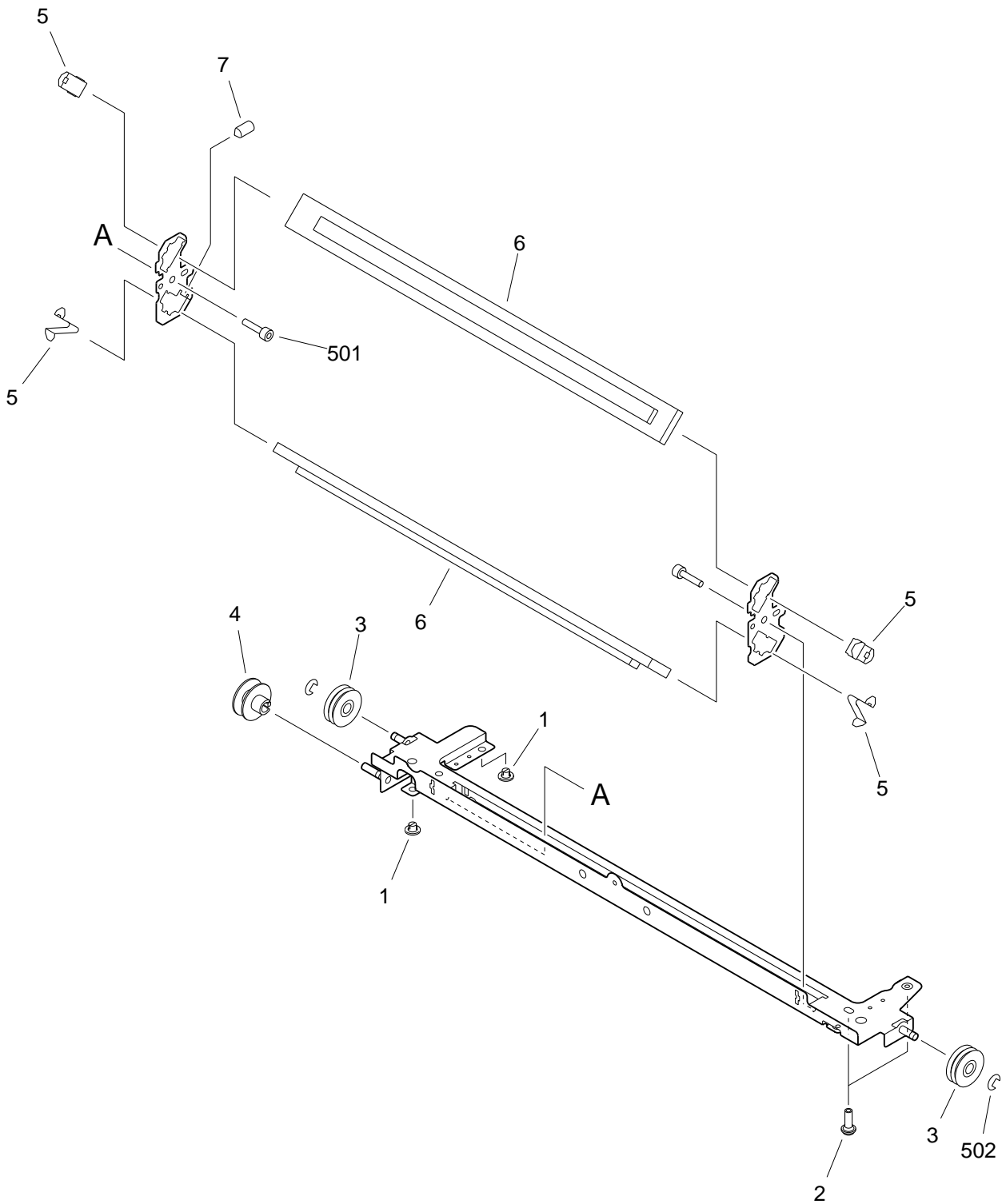
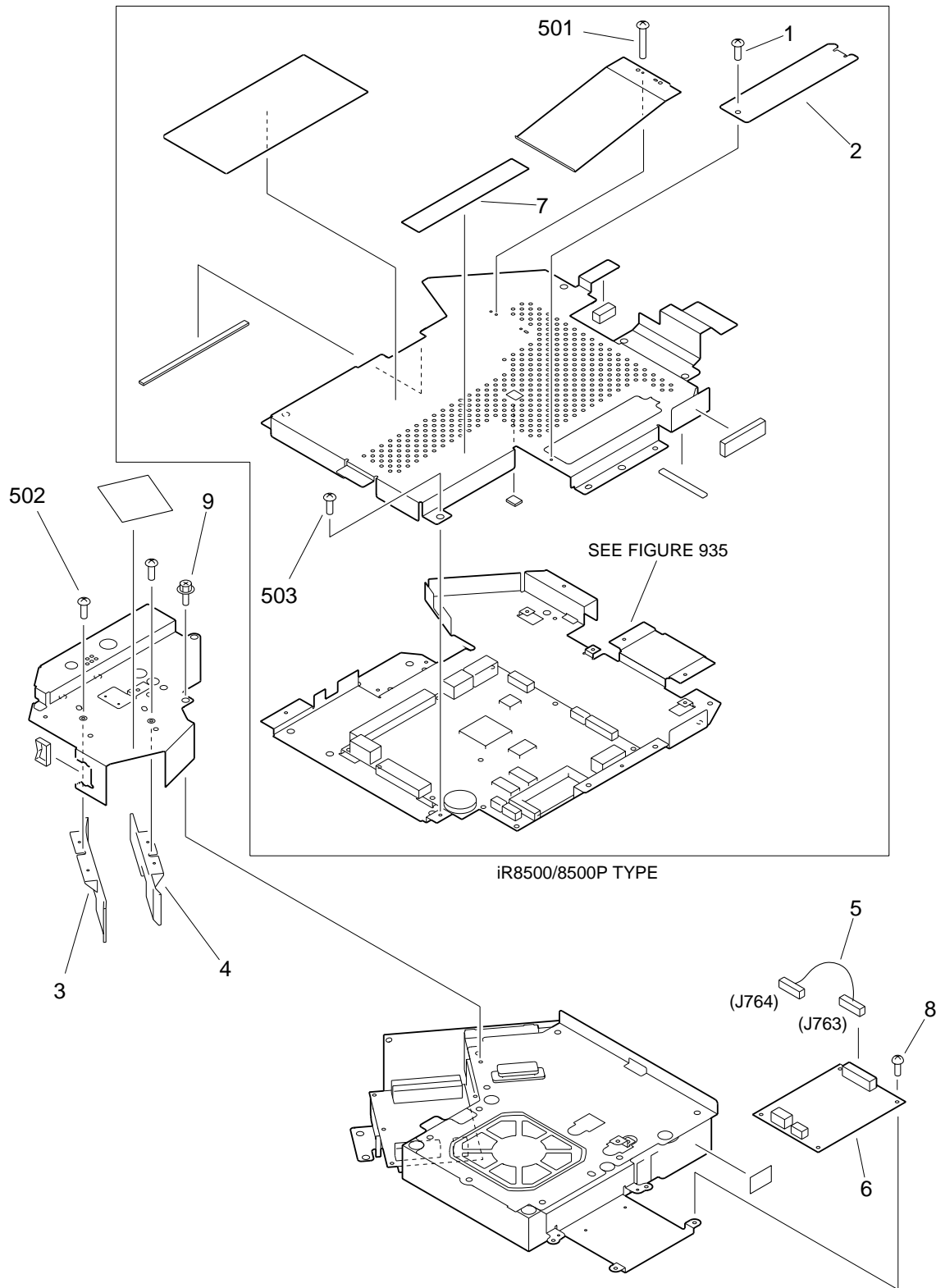


FIGURE & KEY NO.	PART NUMBER	R A N K	Q' T Y	DESCRIPTION	SERIAL NUMBER / REMARKS
431 -	FG6 - 4852 - 000		1	MIRROR ASSEMBLY 2	iR7200/7200P TYPE
1	FB3 - 2411 - 000		2	PIN, SLIDE	
2	FB4 - 5435 - 000		2	SLIDER B	
3	FB5 - 3077 - 000		2	PULLEY	
4	FB5 - 4588 - 000		1	GUIDE, CABLE	
5	FB6 - 0342 - 000		4	SPRING, LEAF	
6	FF5 - 9827 - 000		2	MIRROR, 2	
7	XA9 - 0425 - 000		1	SETSCREW,HEX SOCKET	
501	XB7 - 1030 - 069		2	SCREW,ALLEN HEAD,M3X6	
502	XD2 - 1100 - 502		2	RING,E	

FIGURE 460 SCANNER ASSEMBLY



NOTE: This assembly does not include the parts shown with key No. 1, 2, 3, 4, 9, 501, 502 and 503.

FIGURE & KEY NO.	PART NUMBER	R A N K	Q' T Y	DESCRIPTION	SERIAL NUMBER / REMARKS
460 -	FG6 - 7177 - 000		1	SCANNER ASSEMBLY	
1	FA9 - 1449 - 000		1	SCREW,W/WASHER,M3X6	iR8500/8500P TYPE SEE NOTE
2	FB4 - 2347 - 000		1	COVER, ROM	iR8500/8500P TYPE SEE NOTE
3	FB5 - 7028 - 000		1	GUIDE, AIR, LEFT	iR8500/8500P TYPE SEE NOTE
4	FB5 - 7029 - 000		1	GUIDE, AIR, RIGHT	iR8500/8500P TYPE SEE NOTE
5	FG6 - 2340 - 000		1	CABLE, POLYGON MOTOR	J763,764
6	FG6 - 7244 - 000		1	POLYGON MOTOR DRIVER PCB ASS'Y	
7	FS6 - 8820 - 000		1	LABEL, "WARNING LASER"	100/208V
	FS5 - 8623 - 000		1	LABEL, "WARNING LASER"	220/240V
8	XA9 - 0385 - 000		6	SCREW, W/WASHER, TRUSS HEAD	
9	XA9 - 0643 - 000		4	SCREW,RS,M4X10	iR8500/8500P TYPE SEE NOTE
501	XB1 - 2301 - 209		2	SCREW,MACH.,TRUSS HEAD,M3X12	iR8500/8500P TYPE SEE NOTE
502	XB1 - 2400 - 609		2	SCREW,MACH.,TRUSS HEAD,M4X6	iR8500/8500P TYPE SEE NOTE
503	XB2 - 7400 - 607		15	SCREW,W/WASHER,M4X6	iR8500/8500P TYPE SEE NOTE

FIGURE 510 PHOTO-SENSITIVE DRUM ASSEMBLY

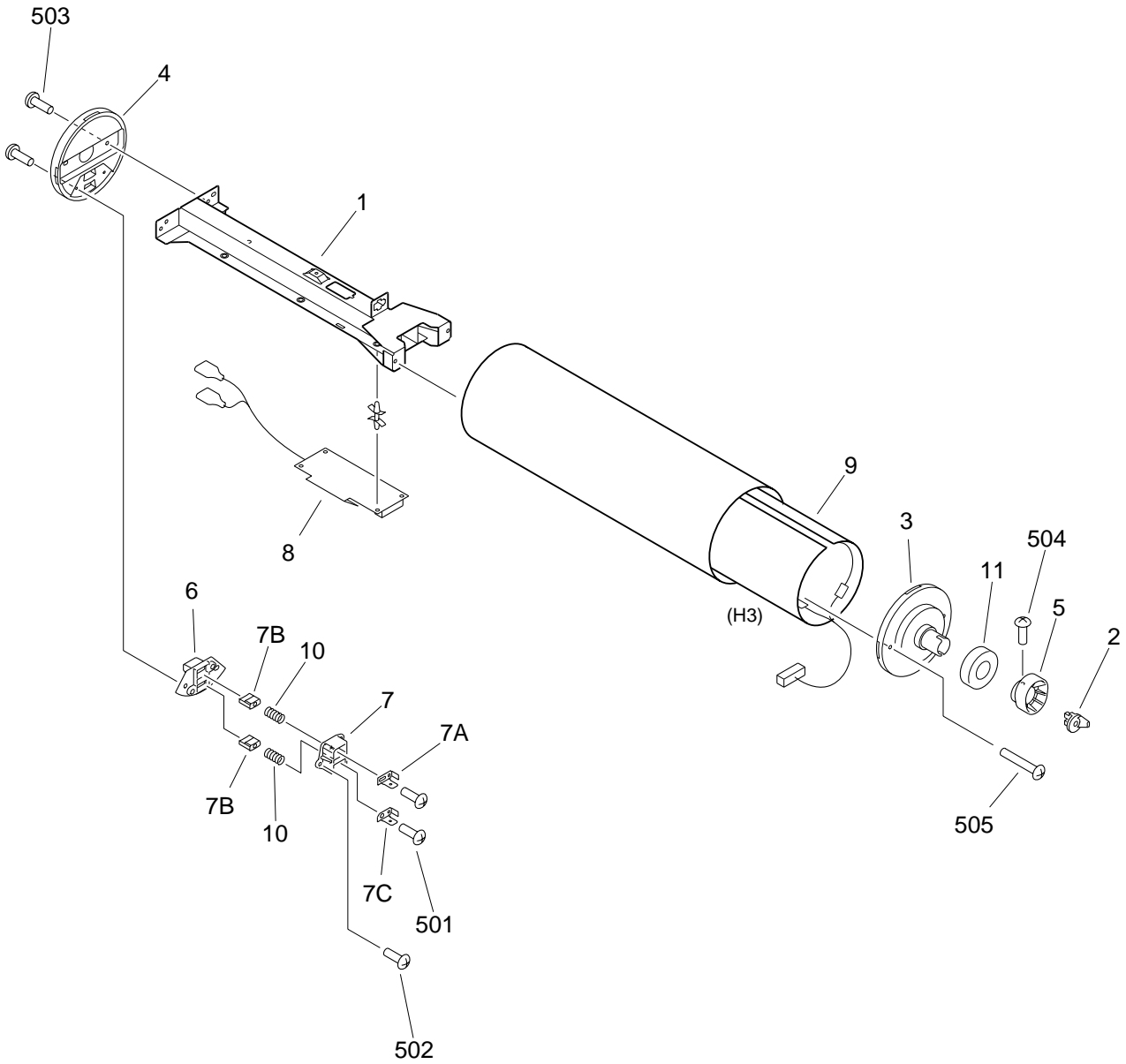
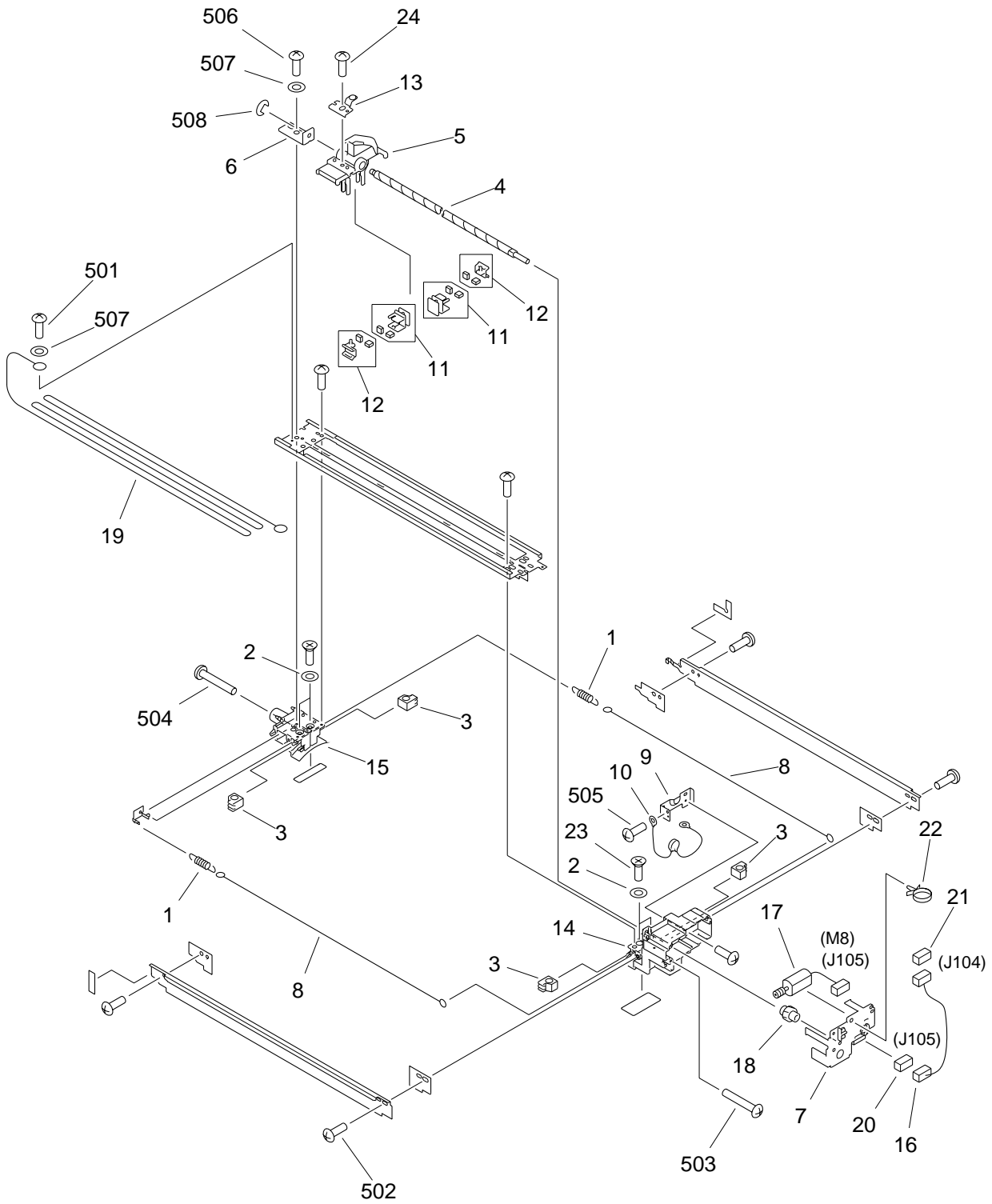


FIGURE & KEY NO.	PART NUMBER	RANK	QTY	DESCRIPTION	SERIAL NUMBER / REMARKS
510 -	NPN		RF	PHOTO-SENSITIVE DRUM ASSEMBLY	
1	FA6 - 0648 - 000		1	GUIDE, DRUM	
2	FB4 - 1416 - 000		1	SUPPORT, DRUM	
3	FB4 - 1620 - 000		1	FLANGE, DRUM, FRONT	
4	FB4 - 1621 - 000		1	FLANGE, DRUM, REAR	
5	FB4 - 1622 - 000		1	CAM	
6	FB4 - 1623 - 000		1	MOUNT, BRUSH	
7	FF5 - 8733 - 000		1	BLOCK, TERMINAL	
7 A	FA3 - 2394 - 000		1	TERMINAL, 1	
7 B	FA3 - 2395 - 000		2	BRUSH	
7 C	FB3 - 6117 - 000		1	TERMINAL, 2	
8	FH6 - 3993 - 000		1	HEATER CONTROL PCB ASSEMBLY	100V
	FH6 - 3994 - 000		1	HEATER CONTROL PCB ASSEMBLY	208/220/240V
9	FH7 - 4713 - 000		1	HEATER, DRUM	100V H3
	FH7 - 4714 - 000		1	HEATER, DRUM	208V H3
	FH7 - 4715 - 000		1	HEATER, DRUM	220/240V H3
10	FS2 - 2036 - 020		2	SPRING, COMPRESSION	
11	XG9 - 0307 - 000		1	BEARING, BALL	
501	XA1 - 6260 - 409		2	SCREW, M2, 6X4	
502	XB1 - 2300 - 609		2	SCREW, MACH., TRUSS HEAD, M3X6	
503	XB1 - 2400 - 609		4	SCREW, MACH., TRUSS HEAD, M4X6	
504	XB2 - 8400 - 809		1	SCREW, W/WASHER, M4X8	
505	XB6 - 7401 - 609		2	SCREW, TP, M4X16	

FIGURE 550 PRIMARY CORONA ASSEMBLY



NOTE: This assembly does not include the part shown with key No.21.

FIGURE & KEY NO.	PART NUMBER	RANK	QTY	DESCRIPTION	SERIAL NUMBER / REMARKS
550 -	FG6 - 7313 - 000		1	PRIMARY CORONA ASSEMBLY	
1	97 - 5527 - 000		2	SPRING, TENSION	
2	FA2 - 1498 - 000		4	WASHER	
3	FA3 - 2118 - 000		4	GUIDE, CORONA WIRE	
4	FB4 - 1693 - 000		1	SCREW, SHAFT	
5	FB4 - 1933 - 000		1	HOLDER, PRIMARY CORONA	
6	FB4 - 1940 - 000		1	PLATE, SHAFT SCREW	
7	FB4 - 1941 - 000		1	COVER, MOTOR	
8	FB4 - 3687 - 000		2	WIRE, CORONA, 0.06MM (20M)	
9	FB4 - 5305 - 000		1	PLATE, HEIGHT ADJUSTING	
10	FF3 - 3330 - 000		1	VARISTOR UNIT	
11	FF5 - 6883 - 000		2	BLOCK, WIRE CLEANING PAD	
12	FF5 - 6884 - 000		2	BLOCK, WIRE CLEANING PAD	
13	FF5 - 6885 - 000		1	GUIDE, PIN	
14	FF5 - 7705 - 000		1	BLOCK, PRIMARY CORONA, FRONT	
15	FF5 - 7706 - 000		1	BLOCK, PRIMARY CORONA, REAR	
16	FG6 - 1858 - 000		1	CABLE, MOTOR CONNECTING	J104,105
17	FH6 - 1135 - 000		1	MOTOR, DC, 1.36W	M8 J105
18	FS6 - 0115 - 000		1	GEAR, 18T	
19	FY1 - 0883 - 000		1	WIRE, GRID, 0.1MM (100M)	
20	VS1 - 5057 - 002		1	CONNECTOR, SNAP TIGHT	J105
21	VS1 - 5057 - 002		1	CONNECTOR, SNAP TIGHT	SEE NOTE J104
22	WT2 - 5178 - 000		1	CLIP, CABLE	
23	XA9 - 0228 - 000		4	SCREW,MACH.,C.S.HEAD,M4X18	
24	XA9 - 0915 - 000		3	SCREW,M3X6	
501	XB1 - 2300 - 603		1	SCREW,MACH.,TRUSS HEAD,M3X6	
502	XB1 - 2300 - 609		12	SCREW,MACH.,TRUSS HEAD,M3X6	
503	XB1 - 2301 - 207		1	SCREW,MACH.,TRUSS HEAD,M3X12	
504	XB1 - 2302 - 503		1	SCREW,MACH.,TRUSS HEAD,M3X25	
505	XB2 - 7300 - 607		2	SCREW,W/WASHER,M3X6	

FIGURE & KEY NO.	PART NUMBER	R A N K	Q' T Y	DESCRIPTION	SERIAL NUMBER / REMARKS
550 - 506	XB6 - 7300 - 609		1	SCREW,TP,M3X6	
507	XD1 - 2100 - 307		1	WASHER,PLAIN	
508	XD2 - 1100 - 242		1	RING,E	

FIGURE 570 PRE-TRANSFER CORONA ASSEMBLY

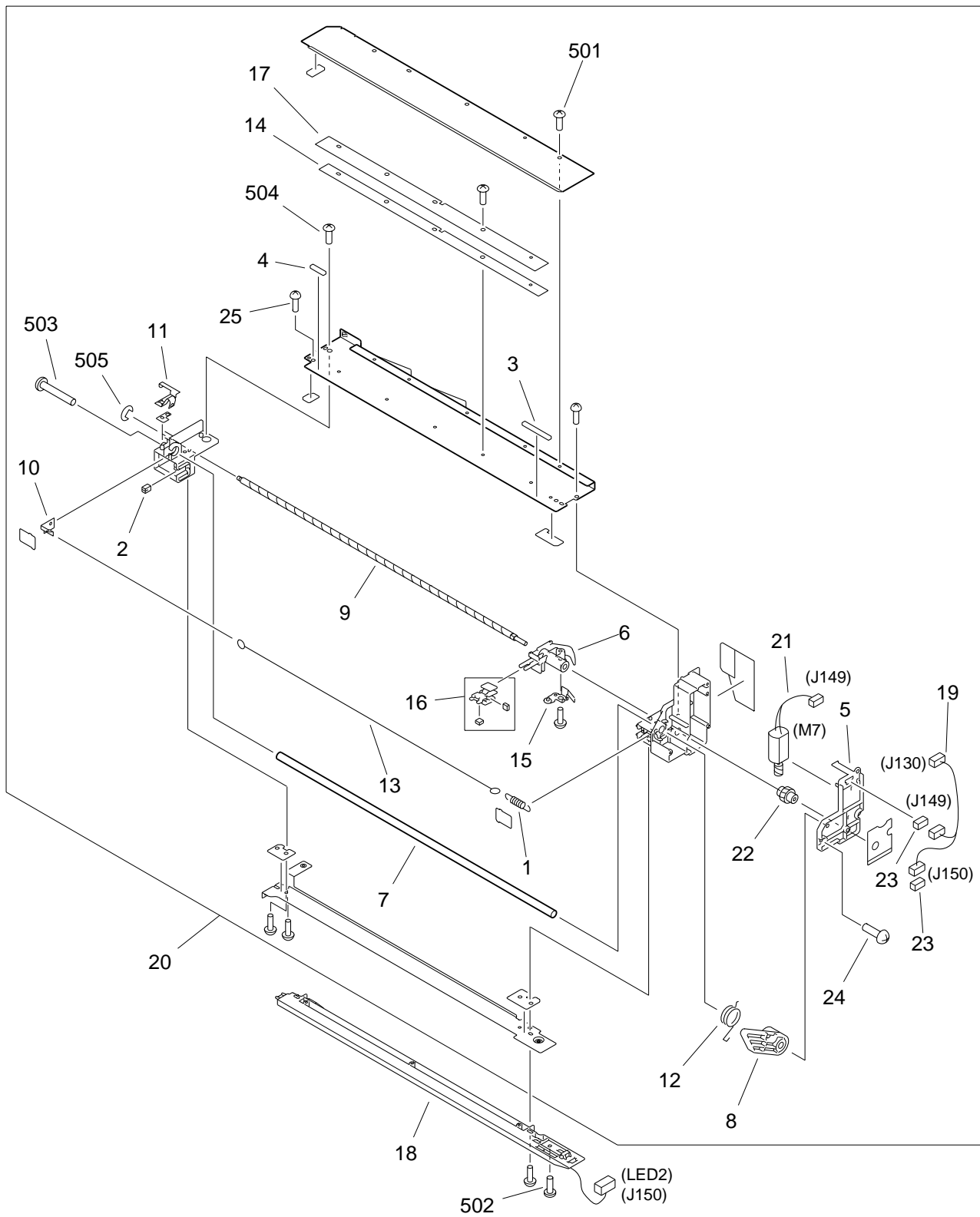


FIGURE & KEY NO.	PART NUMBER	RANK	QTY	DESCRIPTION	SERIAL NUMBER / REMARKS
570 -	FG6 - 7424 - 000		1	PRE-TRANSFER CORONA ASSEMBLY	
1	97 - 5527 - 000		1	SPRING, TENSION	
2	FA3 - 2128 - 000		1	DAMPER	
3	FA3 - 2565 - 000		1	BRUSH, FRONT	
4	FA3 - 8004 - 000		1	BRUSH, REAR	
5	FB4 - 1680 - 020		1	COVER, PRE-TRANSFER MOTOR	
6	FB4 - 1681 - 020		1	HOLDER, SHAFT SCREW	
7	FB4 - 1682 - 000		1	ROLLER, BIAS	
8	FB4 - 1683 - 000		1	ARM, BIAS ROLLER	
9	FB4 - 1693 - 000		1	SCREW, SHAFT	
10	FB4 - 1694 - 000		1	TERMINAL, CORONA	
11	FB4 - 1695 - 000		1	TERMINAL, BIAS ROLLER	
12	FB4 - 1696 - 000		1	SPRING, TORSION	
13	FB4 - 3687 - 000		AR	WIRE, CORONA, 0.06MM (20M)	
14	FB5 - 9354 - 000		1	PLATE, SCRAPER RETAINING	
15	FF5 - 2942 - 020		1	PLATE, PRESSURE	
16	FF5 - 9552 - 000		1	CLEANER, WIRE	
17	FF6 - 1031 - 000		1	MOUNT, PRE-TRANSFER SCRAPER	
18	FG6 - 7185 - 000		1	PRE-TRANSFER EXPOSURE UNIT	LED2 J150
19	FG6 - 7203 - 000		1	CABLE, PRE-TRANSFER CONNECTING	J130,149,150
20	FG9 - 3863 - 000		1	PRE-TRANSFER SUB UNIT	
21	FH6 - 1135 - 000		1	MOTOR, DC, 1.36W	M7 J149
22	FS6 - 0115 - 000		1	GEAR, 18T	
23	VS1 - 5057 - 002		2	CONNECTOR, SNAP TIGHT	J149,150
24	XA9 - 0591 - 000		2	SCREW,M3X8	
25	XA9 - 0596 - 000		6	SCREW,P,M3X6	
501	XB1 - 2300 - 407		8	SCREW,MACH.,TRUSS HEAD,M3X4	
502	XB1 - 2300 - 609		1	SCREW,MACH.,TRUSS HEAD,M3X6	
503	XB1 - 2301 - 603		1	SCREW,MACH.,TRUSS HEAD,M3X16	
504	XB1 - 2400 - 407		1	SCREW,MACH.,TRUSS HEAD,M4X4	

FIGURE & KEY NO.	PART NUMBER	R A N K	Q' T Y	DESCRIPTION	SERIAL NUMBER / REMARKS
570 - 505	XD2 - 1100 - 242		1	RING,E	

FIGURE 580 TRANSFER/SEPARATE CORONA ASSEMBLY

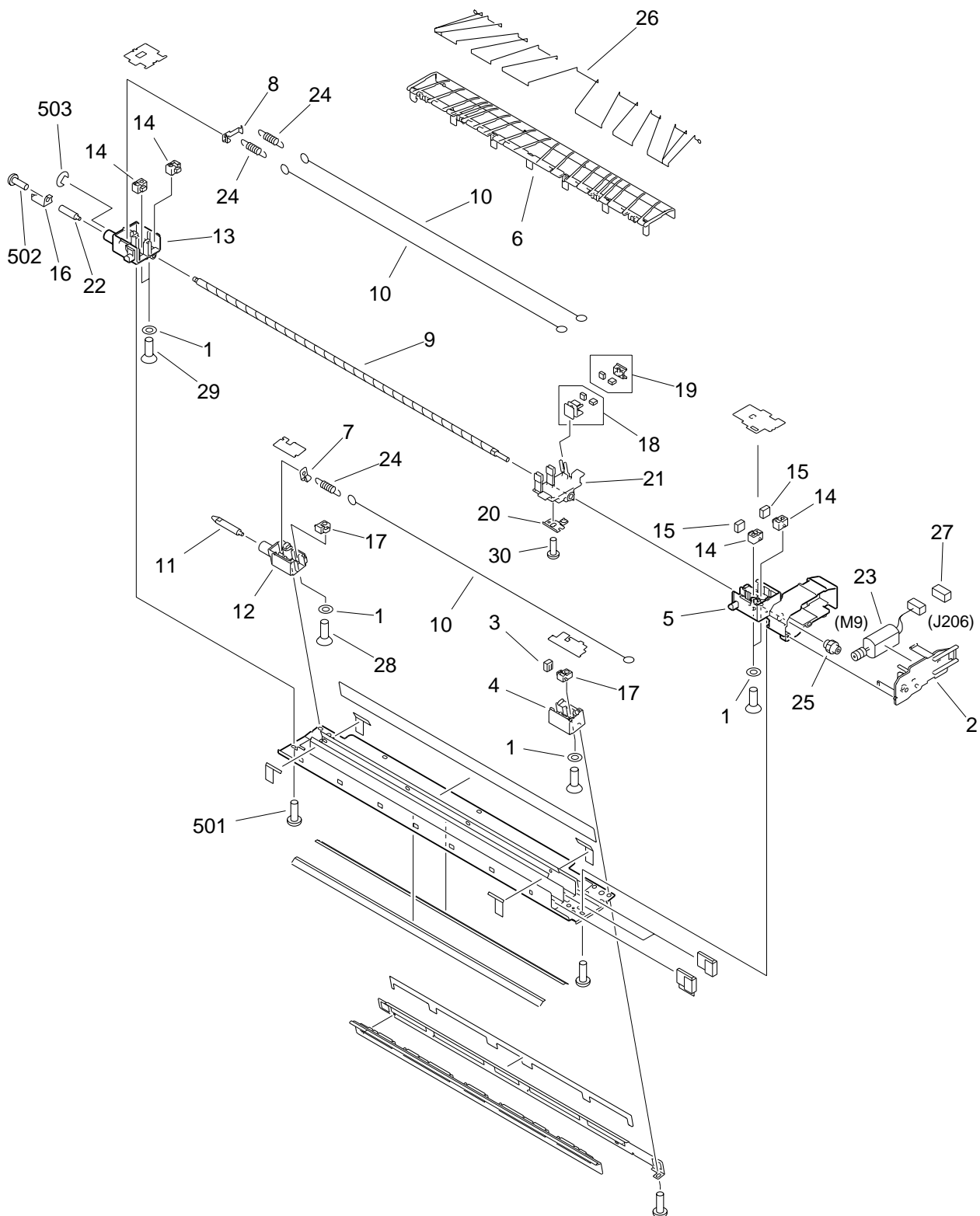
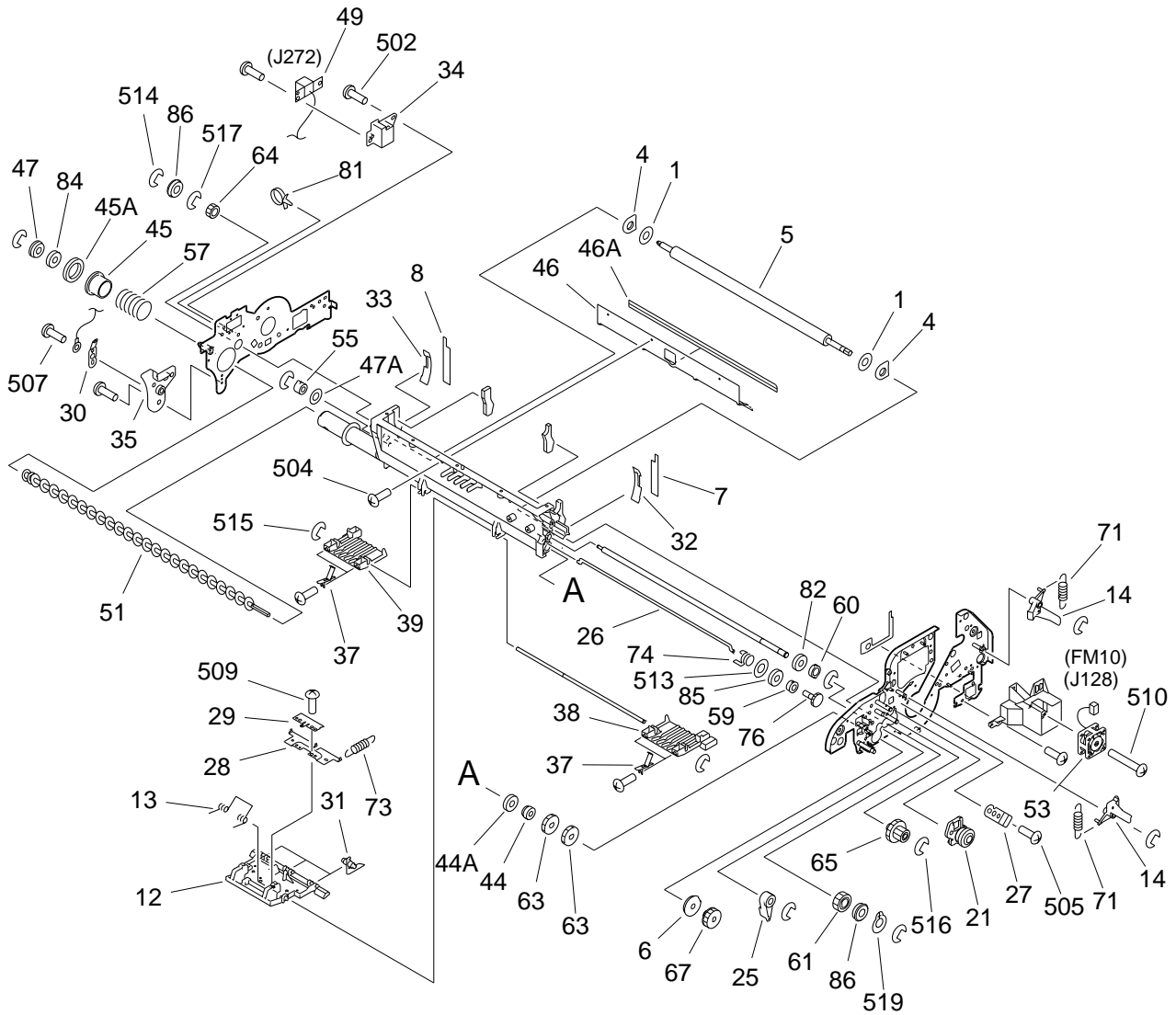


FIGURE & KEY NO.	PART NUMBER	RANK	QTY	DESCRIPTION	SERIAL NUMBER / REMARKS
580 -	FG6 - 7740 - 000		1	TRANSFER/SEPARATE CORONA ASS'Y	
1	FA2 - 1498 - 000		6	WASHER	
2	FB2 - 6850 - 000		1	COVER, MOTOR	
3	FB2 - 7096 - 000		3	PAD, DUST-PROOF	
4	FB4 - 1648 - 000		1	BLOCK, TRANSFER, FRONT	
5	FB4 - 1650 - 000		1	BLOCK, SEPARATION, FRONT	
6	FB4 - 1653 - 000		1	GUIDE, PAPER SEPARATION	
7	FB4 - 1656 - 000		1	HOOK, SPRING, 1	
8	FB4 - 1657 - 000		1	HOOK, SPRING, 2	
9	FB4 - 1693 - 000		1	SCREW, SHAFT	
10	FB4 - 3687 - 000		AR	WIRE, CORONA, 0.06MM (20M)	
11	FB4 - 9355 - 000		1	PIN, TRANSFER/SEPARATION	
12	FB5 - 0529 - 000		1	BLOCK, TRANSFER, REAR	
13	FB5 - 0530 - 000		1	BLOCK, SEPARATION, REAR	
14	FB5 - 2394 - 000		4	BLOCK, ADJUSTING	
15	FB5 - 2515 - 000		2	PAD, CUSHION	
16	FB5 - 3105 - 000		1	TERMINAL, TRANSFER/SEPARATION	
17	FB5 - 9648 - 000		2	GUIDE, CORONA WIRE	
18	FF5 - 6883 - 000		1	BLOCK, WIRE CLEANING PAD	
19	FF5 - 6884 - 000		1	BLOCK, WIRE CLEANING PAD	
20	FF5 - 6885 - 000		1	GUIDE, PIN	
21	FF5 - 7891 - 020		1	HOLDER, FELT	
22	FH2 - 9242 - 000		1	PIN, RESISTANCE	
23	FH6 - 1135 - 000		1	MOTOR, DC, 1.36W	M9 J206
24	FS2 - 2551 - 000		3	SPRING, TENSION	
25	FS6 - 0115 - 000		1	GEAR, 18T	
26	RY1 - 1502 - 000		AR	WIRE, GUIDE	
27	VS1 - 5057 - 002		1	CONNECTOR, SNAP TIGHT	J206
28	XA9 - 0034 - 000		2	SCREW, MACH., C.S. HEAD, M4X15	
29	XA9 - 0228 - 000		4	SCREW, MACH., C.S. HEAD, M4X18	

FIGURE & KEY NO.	PART NUMBER	R A N K	Q' T Y	DESCRIPTION	SERIAL NUMBER / REMARKS
580 - 30	XA9 - 0915 - 000		1	SCREW,M3X6	
501	XB1 - 2300 - 609		8	SCREW,MACH.,TRUSS HEAD,M3X6	
502	XB2 - 7300 - 607		1	SCREW,W/WASHER,M3X6	
503	XD2 - 1100 - 242		1	RING,E	

FIGURE 600 AP KIT ASSEMBLY(1/2)



NOTE1: This assembly includes the assembly shown in Figure 720.

NOTE2: This assembly does not include the parts shown with key No. 10, 20, 27, and 505.

FIGURE 600 AP KIT ASSEMBLY(2/2)

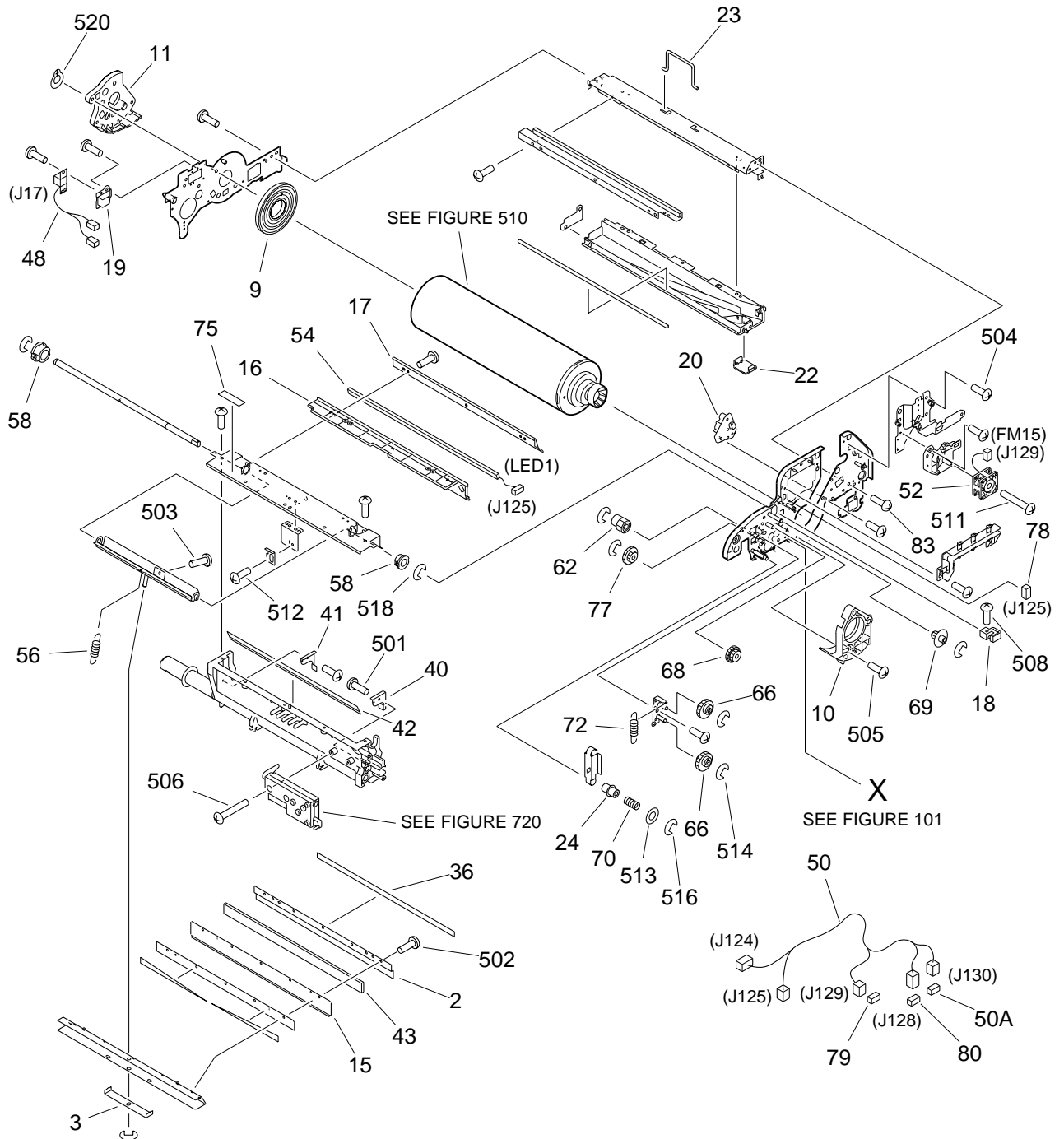


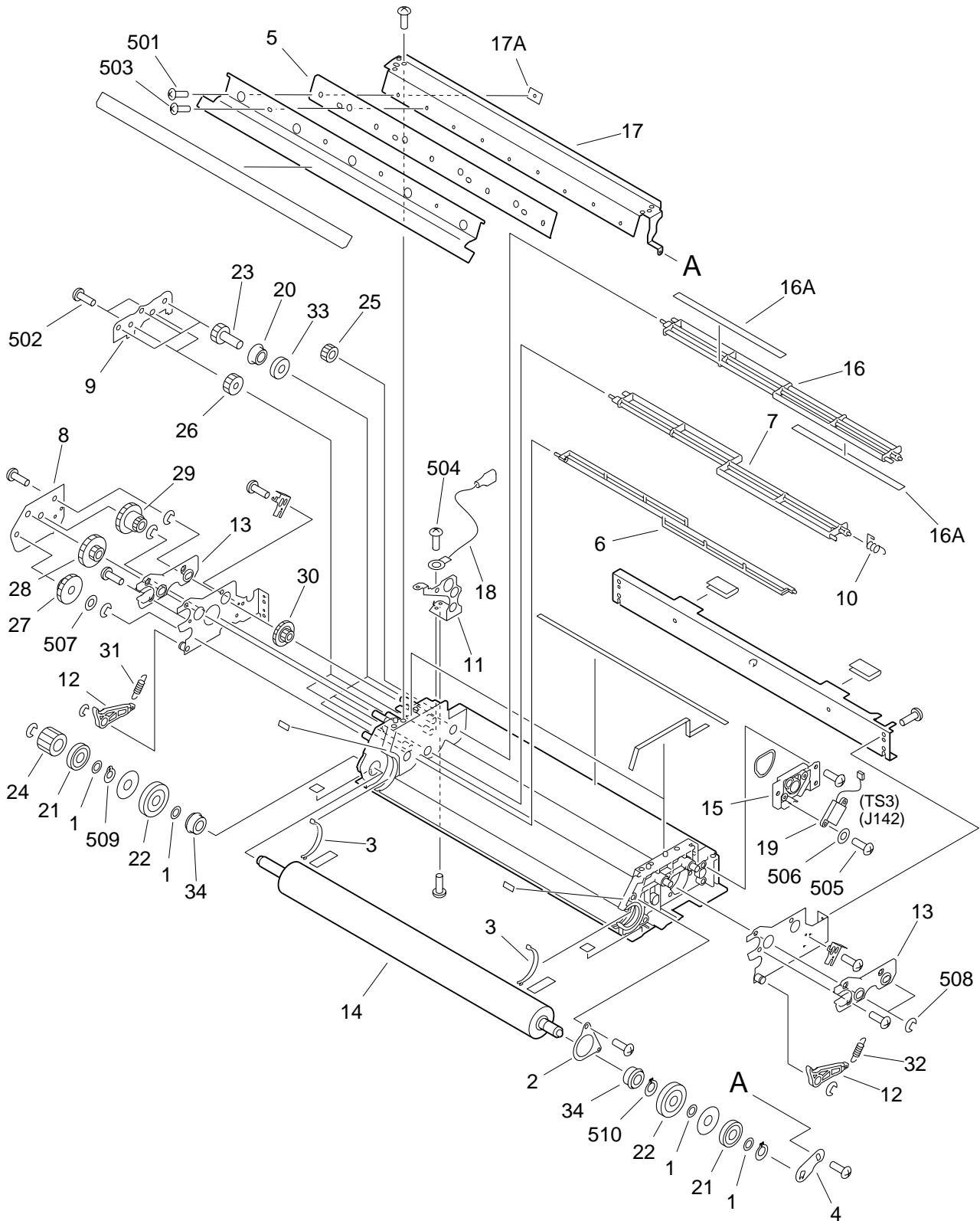
FIGURE & KEY NO.	PART NUMBER	RANK	QTY	DESCRIPTION	SERIAL NUMBER / REMARKS
600 -	FG6 - 7345 - 000		1	AP KIT ASSEMBLY	SEE NOTE 1
1	FA4 - 1819 - 000		2	SPACER	
2	FA4 - 2037 - 000		1	RETAINER, BLADE	
3	FA5 - 4590 - 000		1	SPRING, LEAF	
4	FA6 - 7865 - 000		2	SEAL, FELT	
5	FA9 - 3730 - 000		1	ROLLER, MAGNET	
6	FB2 - 8302 - 000		1	BUSHING	
7	FB4 - 1569 - 000		1	SEAL, SIDE, FRONT	
8	FB4 - 1570 - 000		1	SEAL, SIDE, REAR	
9	FB4 - 1575 - 000		1	SUPPORT, DRUM SIDE	
10	FB4 - 1576 - 000		1	BLOCK, TRANSFER FIXING, FRONT	SEE NOTE 2
11	FB4 - 1577 - 000		1	BLOCK, TRANSFER FIXING, REAR	
12	FB4 - 1584 - 000		1	HOLDER, CLAW	
13	FB4 - 1585 - 000		1	SPRING, TORSION	
14	FB4 - 1590 - 000		2	SUPPORT, CORONA FIXING	
15	FB4 - 1592 - 000		1	PLATE, BLADE BACKING	
16	FB4 - 1594 - 000		1	HOLDER, PRECONDITIONING, A	
17	FB4 - 1595 - 000		1	HOLDER, PRECONDITIONING, B	
18	FB4 - 1598 - 000		1	ARM, RECIPROCATING	
19	FB4 - 1600 - 000		1	HOLDER, CONNECTOR	
20	FB4 - 1607 - 000		1	HOLDER, POSITIONING, FRONT	SEE NOTE 2
21	FB4 - 1609 - 000		1	LIMITER, TORQUE	
22	FB4 - 1611 - 000		1	COVER, PRE-TRANSFER DUCT	
23	FB4 - 1612 - 000		1	HANDLE	
24	FB4 - 1613 - 000		1	SPACER	
25	FB4 - 1617 - 000		1	ARM, ROLLER	
26	FB4 - 1618 - 000		1	SHAFT, CLEANER STIRRING	
27	FB4 - 1619 - 000		1	RETAINER, BEARING	SEE NOTE 2
28	FB4 - 8012 - 000		1	PLATE, SEPARATION CLAW	
29	FB4 - 8013 - 000		1	PLATE, GROUNDING, 1	

FIGURE & KEY NO.	PART NUMBER	RANK	QTY	DESCRIPTION	SERIAL NUMBER / REMARKS
600 - 30	FB4 - 8014 - 000		1	PLATE, GROUNDING, 2	
31	FB4 - 8018 - 000		3	CLAW, SEPARATION	
32	FB4 - 9517 - 000		1	PLATE, SHEET SUPPORT, FRONT	
33	FB4 - 9518 - 000		1	PLATE, SHEET SUPPORT, REAR	
34	FB4 - 9525 - 000		1	HOLDER, CONNECTOR	
35	FB4 - 9526 - 000		1	HOLDER, BIAS SUPPORT	
36	FB5 - 1844 - 000		1	LABEL, "CAUTION, BLADE CHANGE"	
37	FB5 - 2598 - 000		4	PLATE, HOLDER SUPPORT	
38	FB5 - 6856 - 000		1	GUIDE, CLEANER COOLING, FRONT	
39	FB5 - 6857 - 000		1	GUIDE, CLEANER COOLING, REAR	
40	FB5 - 6868 - 000		1	SCRAPER, FRONT	
41	FB5 - 6869 - 000		1	SCRAPER, REAR	
42	FB5 - 8817 - 000		1	SHEET, SCRAPER, LOWER	
43	FB6 - 2720 - 000		1	BLADE, CLEANING	
44	FF2 - 2891 - 000		1	BUSHING	
44 A	XG9 - 0111 - 000		1	SEAL, OIL	
45	FF5 - 2986 - 000		1	SHUTTER, WASTE TONER	
45 A	FB2 - 6897 - 000		1	SEAL, SHUTTER	
46	FF5 - 7682 - 000		1	SCRAPER	
46 A	FB4 - 1616 - 000		1	SHEET, SCRAPER	
47	FF6 - 1016 - 000		1	BUSHING	
47 A	XG9 - 0143 - 000		1	SEAL, OIL	
48	FG6 - 1853 - 000		1	CABLE, DRUM HEATER	J17
49	FG6 - 3568 - 000		1	CABLE, SEPARATION CLAW	J272
50	FG6 - 7204 - 000		1	CABLE, AP KIT	J124,125,128-130
50 A	VS1 - 5057 - 004		1	CONNECTOR, SNAP TIGHT	J130
51	FG6 - 7429 - 000		1	SCREW, CLEANING	
52	FH6 - 1547 - 000		1	FAN, COOLING	FM15 J129
53	FH6 - 1547 - 000		1	FAN, COOLING	FM10 J128
54	FH7 - 3395 - 000		1	LED ARRAY UNIT	LED1 J125

FIGURE & KEY NO.	PART NUMBER	RANK	QTY	DESCRIPTION	SERIAL NUMBER / REMARKS
600 - 55	FS2 - 1463 - 000		1	BUSHING	
56	FS3 - 2886 - 020		1	SPRING, TENSION	
57	FS3 - 2887 - 000		1	SPRING, COMPRESSION	
58	FS5 - 1795 - 000		2	BUSHING	
59	FS5 - 1800 - 000		1	BUSHING	
60	FS5 - 1801 - 000		1	BUSHING	
61	FS6 - 0121 - 000		1	GEAR, 14T	
62	FS6 - 0136 - 000		1	GEAR, 18T	
63	FS6 - 0138 - 000		2	GEAR, 30T	
64	FS6 - 0972 - 000		1	GEAR, 14T	
65	FS6 - 0973 - 000		1	GEAR, 14T/26T	
66	FS6 - 0975 - 000		2	GEAR, 24T	
67	FS6 - 0976 - 000		1	GEAR, 20T	
68	FS6 - 0977 - 000		1	GEAR, 14T/26T	
69	FS6 - 0978 - 000		1	GEAR, 14T	
70	FS6 - 2748 - 000		1	SPRING, COMPRESSION	
71	FS6 - 2749 - 000		2	SPRING, TENSION	
72	FS6 - 2981 - 000		1	SPRING, TENSION	
73	FS6 - 2991 - 000		3	SPRING, TENSION	
74	FS6 - 2994 - 000		1	SPRING, TORSION	
75	FS6 - 8399 - 000		1	LABEL, GREASE TYPE	
76	FS7 - 0048 - 000		1	GEAR, 26T	
77	FS7 - 0050 - 000		1	GEAR, 23T/39T	
78	VS1 - 5057 - 002		1	CONNECTOR, SNAP TIGHT	J125
79	VS1 - 5057 - 003		1	CONNECTOR, SNAP TIGHT	J129
80	VS1 - 5057 - 003		1	CONNECTOR, SNAP TIGHT	J128
81	WT2 - 5565 - 000		2	CLAMP, CABLE	
82	X71 - 9310 - 000		1	SEAL, OIL	
83	XA9 - 0605 - 000		4	SCREW, M4X8	
84	XG9 - 0111 - 000		1	SEAL, OIL	

FIGURE & KEY NO.	PART NUMBER	RANK	QTY	DESCRIPTION	SERIAL NUMBER / REMARKS
600 - 85	XG9 - 0143 - 000		1	SEAL, OIL	
86	XG9 - 0250 - 000		2	BEARING, BALL	
501	XB1 - 2300 - 602		2	SCREW,MACH.,TRUSS HEAD,M3X6	
502	XB1 - 2300 - 609		12	SCREW,MACH.,TRUSS HEAD,M3X6	
503	XB1 - 2300 - 809		4	SCREW,MACH.,TRUSS HEAD,M3X8	
504	XB1 - 2400 - 609		36	SCREW,MACH.,TRUSS HEAD,M4X6	
505	XB1 - 2400 - 609		7	SCREW,MACH.,TRUSS HEAD,M4X6	SEE NOTE 2
506	XB1 - 2401 - 609		2	SCREW,MACH.,TRUSS HEAD,M4X16	
507	XB2 - 7300 - 607		1	SCREW,W/WASHER,M3X6	
508	XB2 - 8300 - 609		1	SCREW,W/WASHER,M3X6	
509	XB4 - 7300 - 509		1	SCREW,TAPPING,TRUSS HEAD,M3X5	
510	XB4 - 7303 - 009		2	SCREW,TAPPING,TRUSS HEAD,M3X30	
511	XB4 - 7303 - 009		2	SCREW,TAPPING,TRUSS HEAD,M3X30	
512	XB6 - 7400 - 609		1	SCREW,TP,M4X6	
513	XD1 - 1106 - 235		2	SHIM	
514	XD2 - 1100 - 322		6	RING,E	
515	XD2 - 1100 - 402		8	RING,E	
516	XD2 - 1100 - 502		6	RING,E	
517	XD2 - 1100 - 642		4	RING,E	
518	XD2 - 1100 - 802		2	RING,E	
519	XD2 - 2100 - 802		1	RING,GRIP	
520	XD2 - 2300 - 602		3	RING,GRIP	

FIGURE 640 DEVELOPING ASSEMBLY

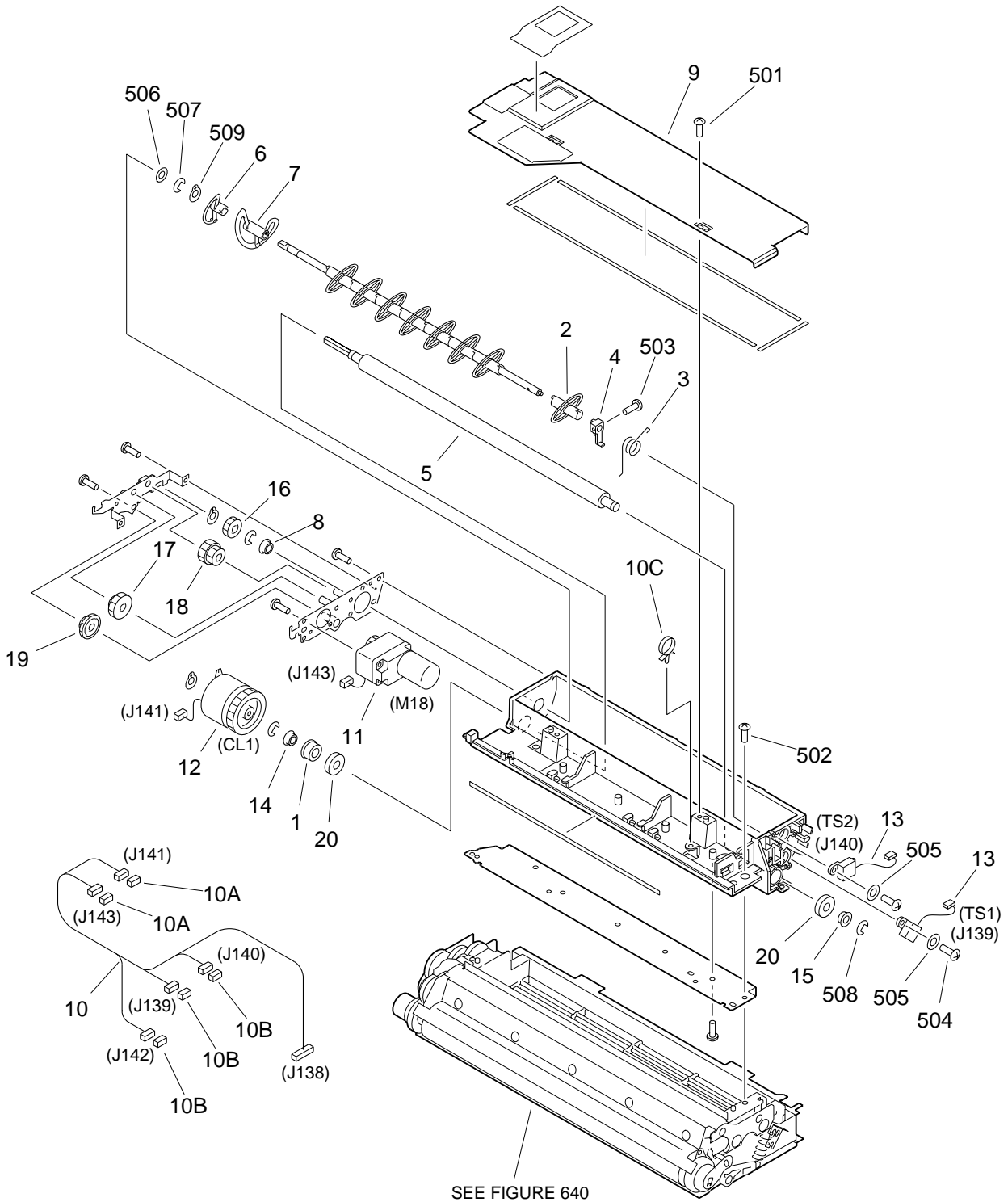


NOTE: This assembly includes the assembly shown in Figure 645.

FIGURE & KEY NO.	PART NUMBER	RANK	QTY	DESCRIPTION	SERIAL NUMBER / REMARKS
640 -	FG6 - 7423 - 000		1	DEVELOPING ASSEMBLY	SEE NOTE
1	FA3 - 0515 - 000		4	WASHER	
2	FA6 - 7822 - 000		1	MOUNT, BUSHING	
3	FB4 - 0464 - 000		2	PLATE, MAGNETIC	
4	FB4 - 1820 - 020		1	PLATE, MAGNET POSITIONING	
5	FB4 - 1821 - 020		1	BLADE, MAGNET	
6	FB4 - 1824 - 000		1	ROD, STIRRING, 1	
7	FB4 - 1825 - 000		1	ROD, STIRRING, 2	
8	FB4 - 1828 - 000		1	RETAINER, REDUCTION GEAR	
9	FB4 - 1829 - 000		1	RETAINER, STIRRER DRIVE GEAR	
10	FB4 - 1831 - 000		1	SPRING, TORSION	
11	FB4 - 1837 - 000		1	TERMINAL, BIAS	
12	FB4 - 1862 - 000		2	ARM, PRESSURE	
13	FB4 - 1866 - 000		2	MOUNT, PRESSURE SLIDE	
14	FB5 - 3111 - 000		1	CYLINDER, DEVELOPING	
15	FF5 - 7698 - 000		1	MOUNT, TONER SENSOR	
16	FF5 - 7701 - 000		1	ROD, STIRRING, 3	
16 A	FB4 - 1830 - 000		2	RUBBER, STIRRING	
17	FF6 - 1041 - 000		1	MOUNT, BLADE SUPPORT	
17 A	FB5 - 6853 - 000		1	SHEET	
18	FG6 - 1854 - 000		1	CABLE, HV, DEVELOPING UNIT	
19	FH7 - 7337 - 000		1	SENSOR, TONER	TS3 J142
20	FS2 - 1014 - 000		3	BUSHING	
21	FS5 - 6574 - 000		2	ROLLER, PRESSURE	
22	FS5 - 6579 - 000		2	COLLAR	
23	FS6 - 0857 - 000		3	GEAR, 20T	
24	FS6 - 0979 - 000		1	GEAR, 24T	
25	FS6 - 0980 - 000		1	GEAR, 19T	
26	FS6 - 0981 - 000		2	GEAR, 21T	
27	FS6 - 0982 - 000		1	GEAR, 16T/31T	

FIGURE & KEY NO.	PART NUMBER	RANK	QTY	DESCRIPTION	SERIAL NUMBER / REMARKS
640 - 28	FS6 - 0983 - 000		1	GEAR, 14T/34T	
29	FS6 - 0984 - 000		1	GEAR, 14T/32T	
30	FS6 - 0985 - 000		1	GEAR, 16T/34T	
31	FS6 - 2750 - 000		1	SPRING, TENSION	
32	FS6 - 2751 - 000		1	SPRING, TENSION	
33	X71 - 9310 - 000		3	SEAL, OIL	
34	XG9 - 0120 - 000		2	BEARING, BALL	
501	XB1 - 2300 - 402		5	SCREW,MACH.,TRUSS HEAD,M3X4	
502	XB1 - 2300 - 409		28	SCREW,MACH.,TRUSS HEAD,M3X4	
503	XB1 - 2300 - 604		4	SCREW,MACH.,TRUSS HEAD,M3X6	
504	XB2 - 7300 - 407		3	SCREW,W/WASHER,M3X4	
505	XB4 - 7300 - 809		2	SCREW,TAPPING,TRUSS HEAD,M3X8	
506	XD1 - 1103 - 139		2	SHIM	
507	XD1 - 1106 - 222		1	SHIM	
508	XD2 - 1100 - 502		8	RING,E	
509	XD2 - 2101 - 002		1	RING,GRIP	
510	XD2 - 3100 - 102		2	RING,C,EXTERNAL	

FIGURE 645 BUFFER ASSEMBLY

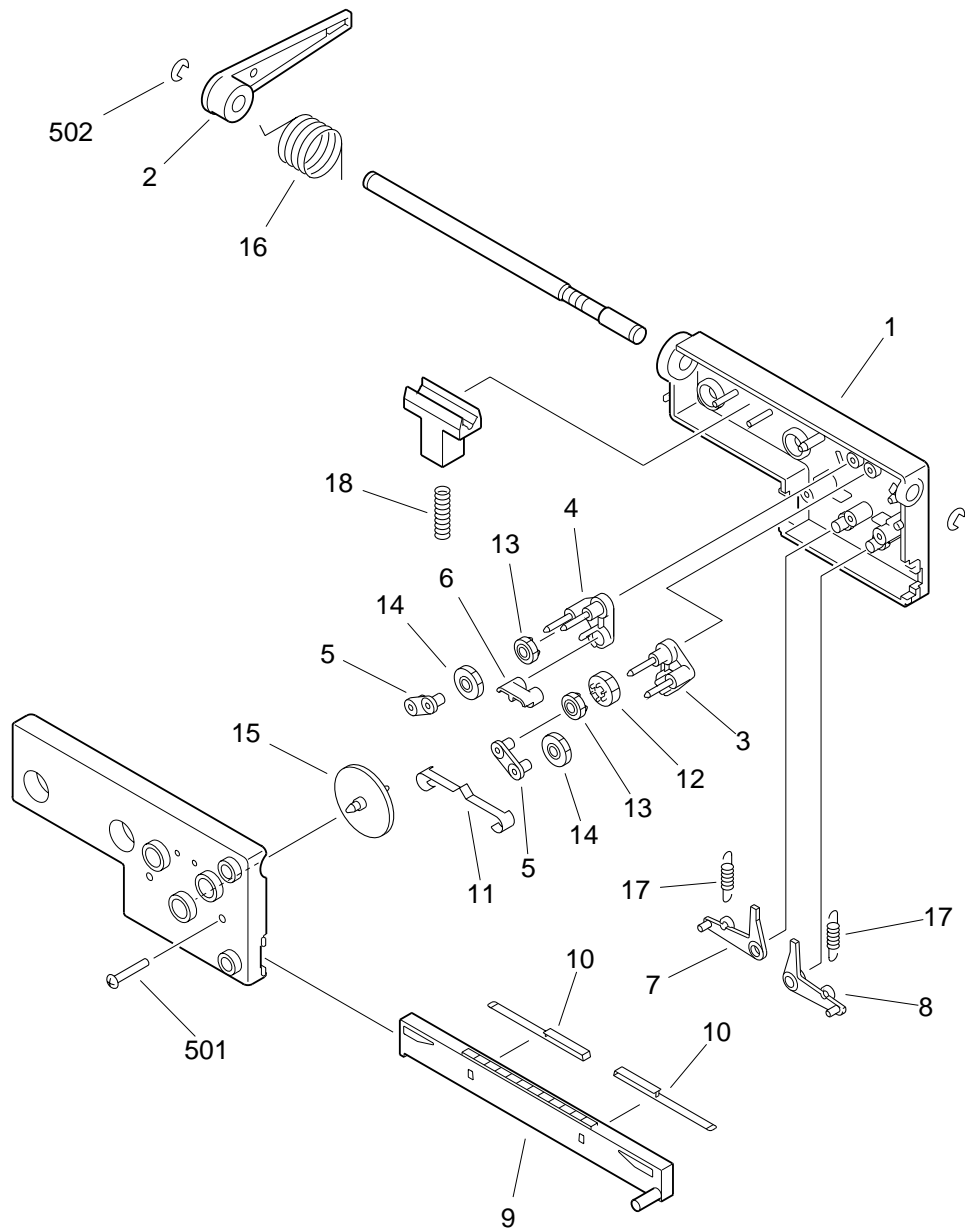


NOTE1: This assembly is included in the assembly shown in Figure 640.
 NOTE2: This assembly does not include the part shown with key No. 502.

FIGURE & KEY NO.	PART NUMBER	RANK	QTY	DESCRIPTION	SERIAL NUMBER / REMARKS
645 -	FG6 - 2011 - 000		1	BUFFER ASSEMBLY	SEE NOTE 1
1	FA4 - 0207 - 000		1	HOLDER, OIL SEAL	
2	FB4 - 1842 - 000		8	BLADE, STIRRING	
3	FB4 - 1849 - 000		1	SPRING, TORSION	
4	FB4 - 1850 - 000		1	MOUNT, SCRAPER	
5	FB4 - 1856 - 000		1	ROLLER, MAGNET	
6	FB4 - 1857 - 000		1	BLADE, STIRRING	
7	FB4 - 1858 - 000		1	BLADE, STIRRING	
8	FF2 - 5730 - 000		1	BUSHING	
9	FF5 - 7695 - 000		1	COVER, BUFFER	
10	FG6 - 1891 - 000		1	CABLE, BUFFER UNIT	J138-143
10 A	VS1 - 5057 - 002		2	CONNECTOR, SNAP TIGHT	J141,143
10 B	VS1 - 5057 - 003		3	CONNECTOR, SNAP TIGHT	J139,140,142
10 C	WT2 - 5565 - 000		1	CLAMP, CABLE	
11	FH6 - 1543 - 000		1	MOTOR, DC 16.8W	M18 J143
12	FH7 - 5840 - 000		1	CLUTCH, ELECTROMAGNETIC	CL1 J141
13	FH7 - 7337 - 000		2	SENSOR, TONER	TS1,2 J139,140
14	FS1 - 1202 - 000		1	BUSHING	
15	FS1 - 1503 - 000		1	BUSHING	
16	FS2 - 0875 - 000		1	GEAR, 16T	
17	FS6 - 0988 - 000		1	GEAR, 14T/27T	
18	FS6 - 0989 - 000		1	GEAR, 18T/19T	
19	FS6 - 0990 - 000		1	GEAR, 14T/27T	
20	X71 - 9310 - 000		2	SEAL, OIL	
501	XB1 - 2300 - 409		13	SCREW,MACH.,TRUSS HEAD,M3X4	
502	XB1 - 2300 - 409		4	SCREW,MACH.,TRUSS HEAD,M3X4	SEE NOTE 2
503	XB1 - 2300 - 809		1	SCREW,MACH.,TRUSS HEAD,M3X8	
504	XB4 - 7300 - 809		9	SCREW,TAPPING,TRUSS HEAD,M3X8	
505	XD1 - 1103 - 139		4	SHIM	
506	XD1 - 1106 - 221		1	SHIM	

FIGURE & KEY NO.	PART NUMBER	R A N K	Q' T Y	DESCRIPTION	SERIAL NUMBER / REMARKS
645 - 507	XD2 - 1100 - 502		2	RING,E	
508	XD2 - 1100 - 642		2	RING,E	
509	XD2 - 2100 - 602		3	RING,GRIP	

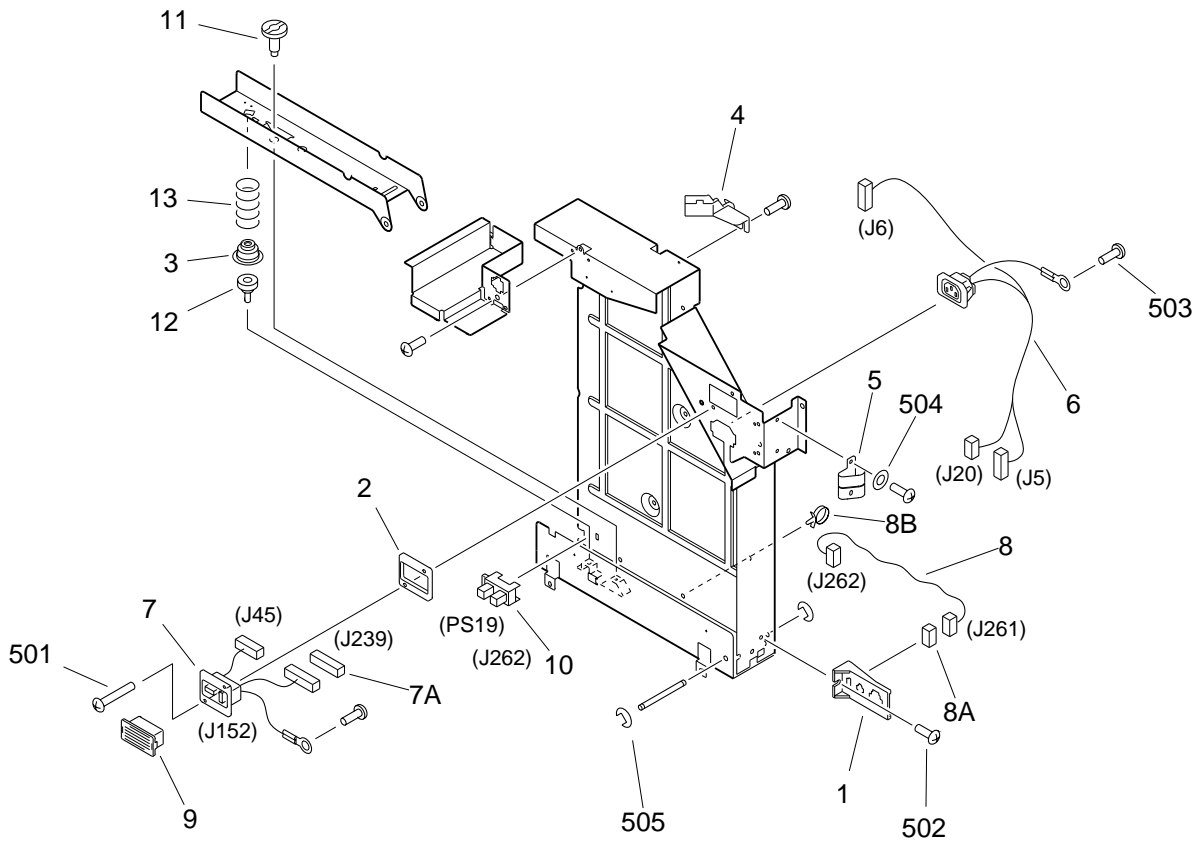
FIGURE 720 SEPARATION CLAW DRIVE ASSEMBLY



NOTE: This assembly is included in the assembly shown in Figure 600.

FIGURE & KEY NO.	PART NUMBER	R A N K	Q' T Y	DESCRIPTION	SERIAL NUMBER / REMARKS
720 -	FG1 - 3472 - 000		1	SEPARATION CLAW DRIVE ASSEMBLY	SEE NOTE
1	FA3 - 2471 - 000		1	BASE	
2	FA3 - 2472 - 000		1	LEVER	
3	FA3 - 2473 - 000		1	LINK, RIGHT	
4	FA3 - 2474 - 000		1	LINK, LEFT	
5	FA3 - 2475 - 000		2	BRACE	
6	FA3 - 2476 - 000		1	LINK	
7	FA3 - 2477 - 000		1	LEVER, RIGHT	
8	FA3 - 2478 - 000		1	LEVER, LEFT	
9	FA3 - 2479 - 000		1	RACK	
10	FA3 - 2480 - 000		2	SPRING, LEAF	
11	FA3 - 2481 - 000		1	SPRING, LEAF	
12	FS2 - 0088 - 000		1	GEAR, 20T	
13	FS2 - 0089 - 000		2	GEAR, 20T	
14	FS2 - 0090 - 000		2	GEAR, 25T	
15	FS2 - 0091 - 000		1	GEAR, 60T	
16	FS2 - 2001 - 000		1	SPRING, TORSION	
17	FS2 - 2002 - 000		2	SPRING, TENSION	
18	FS2 - 2058 - 000		1	SPRING, COMPRESSION	
501	XB4 - 7301 - 209		2	SCREW,TAPPING,TRUSS HEAD,M3X12	
502	XD2 - 1100 - 502		2	RING,E	

FIGURE 770 WASTE TONER ASSEMBLY



NOTE: This assembly does not include the part shown with key No.9.

FIGURE & KEY NO.	PART NUMBER	RANK	QTY	DESCRIPTION	SERIAL NUMBER / REMARKS
770 -	FG6 - 7747 - 000		1	WASTE TONER ASSEMBLY	
1	FB4 - 1443 - 000		1	MOUNT, AC CONNECTOR	
2	FB4 - 1542 - 000		1	SPACER, LATTICE CABLE	
3	FB4 - 9511 - 000		1	SUPPORT, SPRING	
4	FB4 - 9799 - 000		1	GUIDE, CABLE	
5	FB6 - 0783 - 000		1	SPRING, LEAF, GROUNDING	
6	FG6 - 1818 - 000		1	CABLE, MAIN SWITCH CONNECTING	J12,13,20
7	FG6 - 1819 - 000		1	CABLE, LATTICE, 3.5K DECK	J45,228,239
7 A	VS1 - 5057 - 007		1	CONNECTOR, SNAP TIGHT	J239
8	FG6 - 1820 - 000		1	CABLE, WASTE TONER SENSOR	J261,262
8 A	VS1 - 5057 - 003		1	CONNECTOR, SNAP TIGHT	J261
8 B	WT2 - 5565 - 000		4	CLAMP, CABLE	
9	FH2 - 6552 - 000		1	COVER, CONNECTOR	SEE NOTE
10	FH7 - 7462 - 000		1	PHOTO-INTERRUPTER	PS19 J262
11	FS2 - 9410 - 000		1	SCREW, STEPPED, M4X12.7	
12	FS5 - 9398 - 000		1	SCREW, SIDE REGIST., M3X8	
13	FS6 - 2760 - 000		1	SPRING, COMPRESSION	
501	XB1 - 2301 - 407		2	SCREW,MACH.,TRUSS HEAD,M3X14	
502	XB1 - 2400 - 609		5	SCREW,MACH.,TRUSS HEAD,M4X6	
503	XB2 - 7400 - 607		2	SCREW,W/WASHER,M4X6	
504	XD1 - 1104 - 138		2	SHIM	
505	XD2 - 1100 - 502		2	RING,E	

FIGURE 775 WASTE TONER PIPE ASSEMBLY

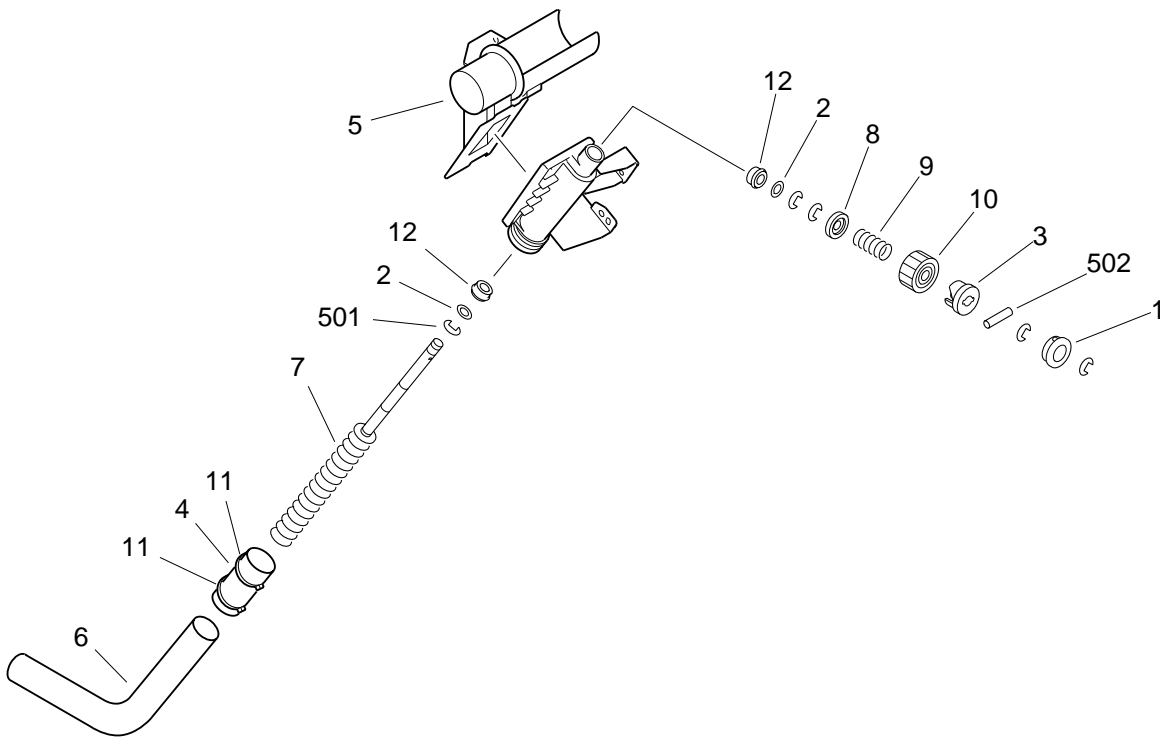
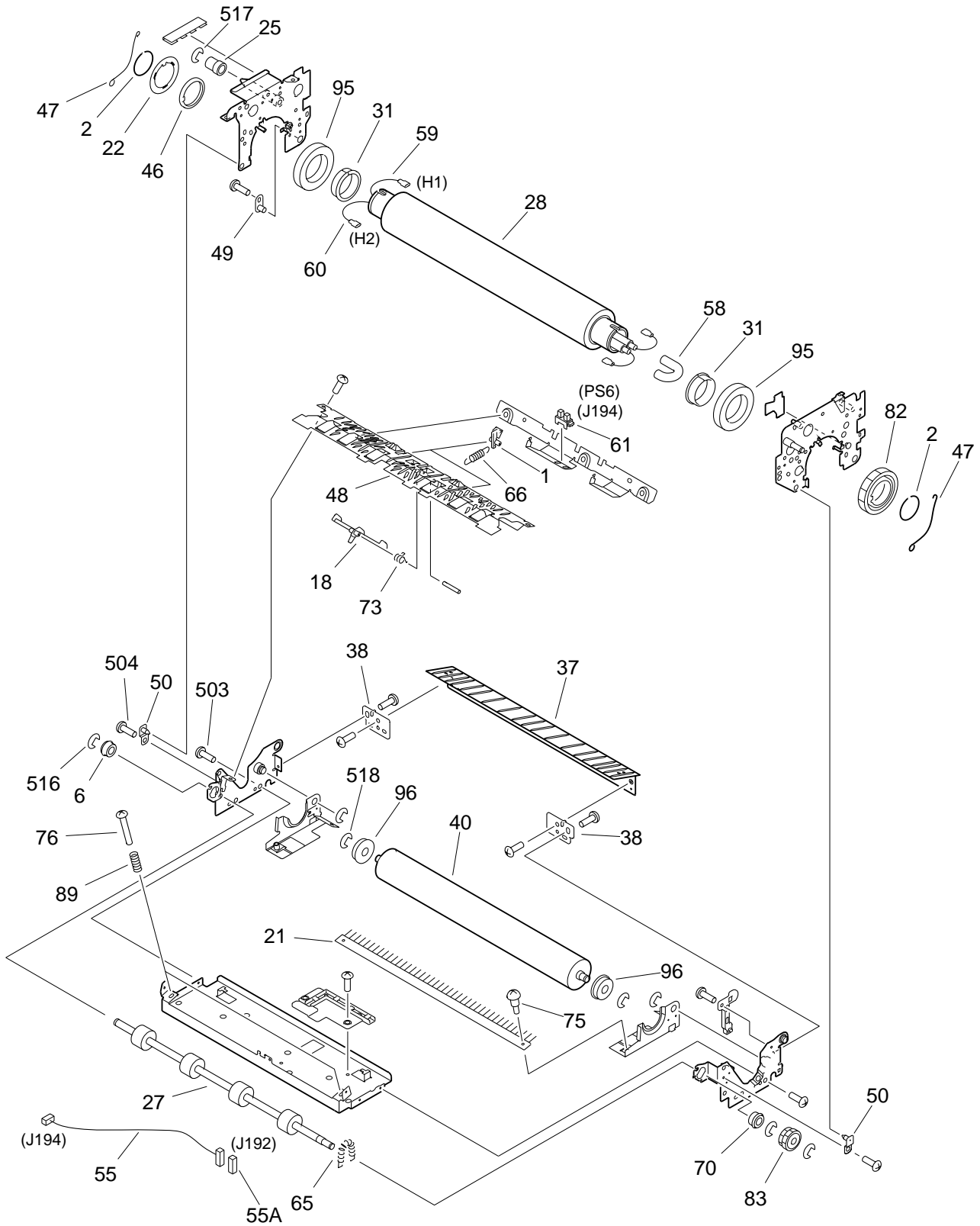


FIGURE & KEY NO.	PART NUMBER	RANK	QTY	DESCRIPTION	SERIAL NUMBER / REMARKS
775 -	FG6 - 2020 - 020		1	WASTE TONER PIPE ASSEMBLY	
1	FA9 - 2112 - 000		1	BUSHING	
2	FB2 - 6285 - 000		2	SHIM	
3	FB2 - 7981 - 000		1	CAM	
4	FB2 - 8402 - 000		1	TUBE	
5	FB4 - 1792 - 000		1	CAP, WASTE TONER, 1	
6	FB4 - 1794 - 000		1	PIPE, WASTE TONER	
7	FB4 - 1795 - 000		1	SHAFT, WASTE TONER	
8	FB4 - 1797 - 000		1	SUPPORT, SPRING	
9	FS6 - 2756 - 000		1	SPRING, COMPRESSION	
10	FS7 - 0027 - 000		1	GEAR, 26T	
11	X62 - 7921 - 000		2	CLAMP, CABLE	
12	XG9 - 0211 - 000		2	BALL BEARING, MF128ZZ1MC3D4M	
501	XD2 - 1100 - 642		4	RING,E	
502	XD3 - 2200 - 182		1	PIN,DOWEL	

FIGURE 810 FIXING ASSEMBLY(1/2)



NOTE: This assembly is included in the assembly shown in Figure 320.

FIGURE 810 FIXING ASSEMBLY(2/2)

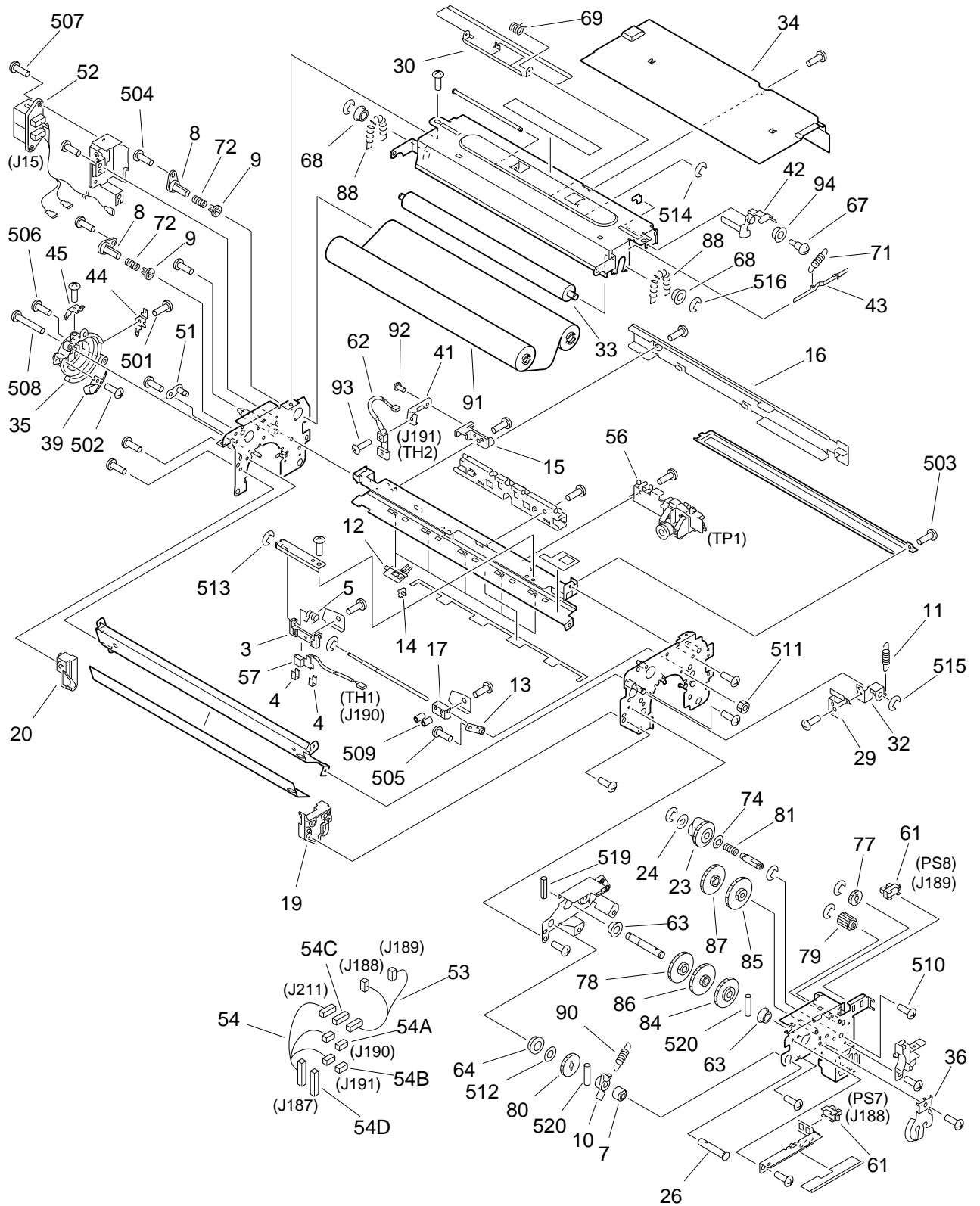


FIGURE & KEY NO.	PART NUMBER	RANK	QTY	DESCRIPTION	SERIAL NUMBER / REMARKS
810 -	FG6 - 7287 - 000		1	FIXING ASSEMBLY	iR8500 100V/8500P SEE NOTE
	FG6 - 7288 - 000		1	FIXING ASSEMBLY	208V SEE NOTE
	FG6 - 7289 - 000		1	FIXING ASSEMBLY	220/240V SEE NOTE
	FG6 - 8920 - 000		1	FIXING ASSEMBLY	iR7200 100V/7200P SEE NOTE
	1 FA2 - 9037 - 000		2	CLAW, SEPARATION, LOWER	
2	FA3 - 8894 - 000		2	RING, RETAINING	
3	FA5 - 4400 - 000		1	MOUNT, THERMISTOR	
4	FA5 - 4403 - 000		2	SPRING, LEAF	
5	FA6 - 8003 - 000		1	SPRING, TORSION	
6	FA9 - 2112 - 000		1	BUSHING	
7	FB1 - 6833 - 000		1	BUSHING	
8	FB2 - 7224 - 030		2	SUPPORT, SHAFT	
9	FB2 - 7225 - 030		2	FLANGE, SHAFT	
10	FB2 - 7228 - 000		1	ARM, ONE-WAY	
11	FB2 - 7238 - 000		1	SPRING, TENSION	
12	FB2 - 7240 - 000		5	MOUNT, ROWEL	
13	FB2 - 7261 - 000		1	BUSHING	
14	FB2 - 7264 - 000		5	ROWEL	
15	FB3 - 8409 - 000		1	HOLDER, THERMISTOR, 2	
16	FB3 - 8412 - 000		1	COVER, CROSSMEMBER	
17	FB3 - 9372 - 000		1	BLOCK, MOUNTING	
18	FB4 - 2191 - 000		1	LEVER, PAPER JAM SENSOR	
19	FB4 - 2195 - 020		1	BLOCK, CLAW STOP, FRONT	
20	FB4 - 2196 - 020		1	BLOCK, CLAW STOP, REAR	
21	FB4 - 2214 - 000		1	ELIMINATOR, STATIC CHARGE	
22	FB4 - 2239 - 000		1	RING, BIAS	
23	FB4 - 9360 - 000		1	GEAR CAM, 50T	
24	FB4 - 9361 - 000		1	PLATE, FRICTION	
25	FB4 - 9524 - 000		1	COLLAR	
26	FB5 - 6825 - 000		1	SHAFT, ONE-WAY	

FIGURE & KEY NO.	PART NUMBER	RANK	QTY	DESCRIPTION	SERIAL NUMBER / REMARKS
810 - 27	FB5 - 6833 - 000		1	ROLLER, INTERNAL DELIVERY	
28	FB5 - 6930 - 000		1	ROLLER, FIXING	
29	FB5 - 6931 - 000		1	PLATE, LIMIT, ARM	
30	FB5 - 6932 - 000		1	SUPPORT, WEB RETAINER	
31	FB5 - 6934 - 000		2	BUSHING	
32	FB5 - 6935 - 000		1	PLATE, LIMIT, ARM, 2	
33	FB5 - 6936 - 000		1	ROLLER, CLEANING	
34	FB5 - 6941 - 000		1	COVER, FIXING, UPPER	
35	FB5 - 6944 - 000		1	HOLDER, HEATER	
36	FB5 - 6945 - 000		1	SUPPORT, HEATER	
37	FB5 - 6946 - 000		1	GUIDE, INLET	
38	FB5 - 6948 - 000		2	PLATE, HEIGHT ADJUSTING	
39	FB5 - 6951 - 000		1	TERMINAL, BIAS	
40	FB5 - 6952 - 000		1	ROLLER, PRESSURE	
41	FB5 - 6957 - 000		1	HOLDER, THERMISTOR, 1	
42	FB5 - 6973 - 000		1	LEVER, PAPER SENSOR	
43	FB5 - 7077 - 000		1	PLATE, LIMIT, LEVER	
44	FB5 - 7558 - 000		1	TERMINAL, HEATER, LARGE	
45	FB5 - 7559 - 000		1	TERMINAL, HEATER, SMALL	
46	FB5 - 7560 - 000		1	COLLAR, FIXING ROLLER	
47	FB5 - 7562 - 000		2	SUPPORT, BEARING	
48	FB5 - 7660 - 000		1	GUIDE, DELIVERY, LOWER	
49	FF5 - 7860 - 000		1	PIN, POSITIONING	
50	FF6 - 1082 - 000		2	SUPPORT, FIXING POSITION	
51	FF6 - 1087 - 000		1	PLATE, PIN	
52	FG6 - 1875 - 000		1	CABLE, AC, FIXING/FEEDER	J15
53	FG6 - 1880 - 000		1	CABLE, CLEANING BELT SENSOR	J188,189,211
54	FG6 - 1881 - 000		1	CABLE, DC, FIXING, UPPER	J187,190,191,211
54 A	VS1 - 5057 - 002		1	CONNECTOR, SNAP TIGHT	J190
54 B	VS1 - 5057 - 003		1	CONNECTOR, SNAP TIGHT	J191

FIGURE & KEY NO.	PART NUMBER	RANK	QTY	DESCRIPTION	SERIAL NUMBER / REMARKS
810 - 54 C	VS1 - 5057 - 006		1	CONNECTOR, SNAP TIGHT	J211
54 D	VS1 - 6318 - 010		1	CONNECTOR, SNAP TIGHT	J187
55	FG6 - 7200 - 000		1	CABLE, DC, FIXING	J192,194
55 A	VS1 - 6318 - 006		1	CONNECTOR, SNAP TIGHT	J192
56	FG6 - 7745 - 000		1	THERMOSWITCH HOLDER UNIT	
57	FG6 - 7748 - 000		1	THERMISTOR UNIT	TH1 J190
58	FH2 - 6841 - 000		1	TUBE	
59	FH7 - 4707 - 000		1	HEATER, MAIN	iR8500 100V/8500P H1
	FH7 - 4708 - 000		1	HEATER, MAIN	208V H1
	FH7 - 4709 - 000		1	HEATER, MAIN	220/240V H1
	FH7 - 4729 - 000		1	HEATER, MAIN	iR7200 100V/7200P H1
60	FH7 - 4710 - 000		1	HEATER, SUB	iR8500 100V/8500P H2
	FH7 - 4711 - 000		1	HEATER, SUB	208V H2
	FH7 - 4712 - 000		1	HEATER, SUB	220/240V H2
	FH7 - 4730 - 000		1	HEATER, SUB	iR7200 100V/7200P H2
61	FH7 - 7462 - 000		3	PHOTO-INTERRUPTER	PS6,7,8 J194,188,189
62	FH7 - 7464 - 000		1	SUB THERMISTOR ASSEMBLY	TH2 J191
63	FS1 - 1449 - 000		2	BUSHING	
64	FS1 - 1569 - 000		1	BUSHING	
65	FS1 - 2370 - 000		1	SPRING, TENSION	
66	FS1 - 2834 - 000		2	SPRING, TENSION	
67	FS1 - 9051 - 000		2	SCREW, STEPPED, M3	
68	FS2 - 1256 - 000		2	BUSHING	
69	FS3 - 2053 - 000		1	SPRING, TORSION	
70	FS5 - 1466 - 000		1	BUSHING	
71	FS5 - 2940 - 000		1	SPRING, TENSION	
72	FS5 - 2941 - 000		2	SPRING, COMPRESSION	
73	FS5 - 2950 - 000		1	SPRING, TORSION	
74	FS5 - 6583 - 000		2	SPACER	
75	FS5 - 9619 - 000		4	SCREW, STEPPED, M3	

FIGURE & KEY NO.	PART NUMBER	R A N K	Q' T Y	DESCRIPTION	SERIAL NUMBER / REMARKS
810 - 76	FS5 - 9752 - 000		2	SCREW,M5	
77	FS6 - 0103 - 000		1	GEAR, 28T	
78	FS6 - 0105 - 000		1	GEAR, 22T/60T	
79	FS6 - 0106 - 000		1	GEAR, 23T	
80	FS6 - 0134 - 000		2	GEAR, 44T	
81	FS6 - 2990 - 000		1	SPRING, COMPRESSION	
82	FS7 - 0007 - 000		1	GEAR, 52T	
83	FS7 - 0008 - 000		1	GEAR, 23T	
84	FS7 - 0891 - 000		1	GEAR, 60T	
85	FS7 - 0893 - 000		1	GEAR, 22T/63T	
86	FS7 - 0894 - 000		1	GEAR, 19T/63T	
87	FS7 - 0895 - 000		1	GEAR, 19T/60T	
88	FS7 - 2523 - 000		2	SPRING, TENSION	
89	FS7 - 2524 - 000		2	SPRING, COMPRESSION	
90	FS7 - 2530 - 000		1	SPRING, TENSION	
91	FY1 - 1157 - 000		1	ROLLER, CLEANING BELT	
92	XA9 - 0807 - 000		1	SCREW, TP, M3X6	
93	XA9 - 0925 - 000		1	SCREW,MACH.,TRUSS HEAD,M3X10	
94	XG9 - 0406 - 000		1	BEARING, BALL	
95	XG9 - 0421 - 000		2	BEARING, BALL	
96	XG9 - 0447 - 000		2	BEARING, BALL	
501	XB1 - 2300 - 409		4	SCREW,MACH.,TRUSS HEAD,M3X4	
502	XB1 - 2300 - 609		3	SCREW,MACH.,TRUSS HEAD,M3X6	
503	XB1 - 2400 - 409		7	SCREW,MACH.,TRUSS HEAD,M4X4	
504	XB1 - 2400 - 609		32	SCREW,MACH.,TRUSS HEAD,M4X6	
505	XB1 - 2400 - 809		3	SCREW,MACH.,TRUSS HEAD,M4X8	
506	XB1 - 2401 - 009		2	SCREW,MACH.,TRUSS HEAD,M4X10	
507	XB2 - 8401 - 009		5	SCREW,W/WASHER,M4X10	
508	XB2 - 8401 - 209		2	SCREW,W/WASHER,M4X12	
509	XB6 - 2300 - 408		2	SETSCREW,M3X4	

FIGURE & KEY NO.	PART NUMBER	RANK	QTY	DESCRIPTION	SERIAL NUMBER / REMARKS
810 - 510	XB6 - 7300 - 609		1	SCREW,TP,M3X6	
511	XB7 - 2200 - 409		1	NUT,HEX,M4	
512	XD1 - 1106 - 222		1	SHIM	
513	XD2 - 1100 - 242		1	RING,E	
514	XD2 - 1100 - 322		5	RING,E	
515	XD2 - 1100 - 502		10	RING,E	
516	XD2 - 1100 - 642		6	RING,E	
517	XD2 - 1100 - 802		1	RING,E	
518	XD2 - 1200 - 902		2	RING, E	
519	XD3 - 1300 - 142		1	PIN,SPRING	
520	XD3 - 2200 - 122		2	PIN,DOWEL	

FIGURE 900 CONTROLLER BOX ASSEMBLY

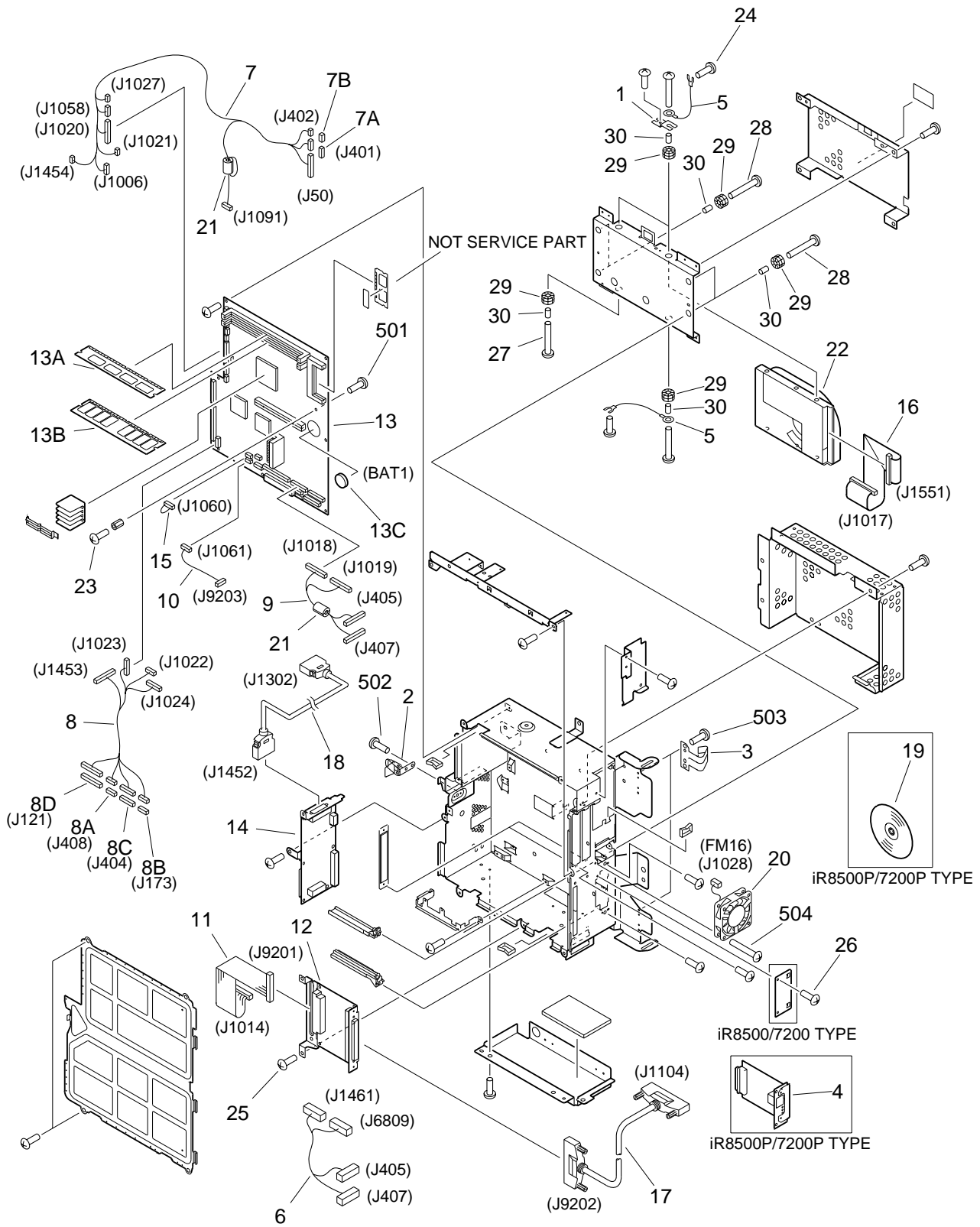
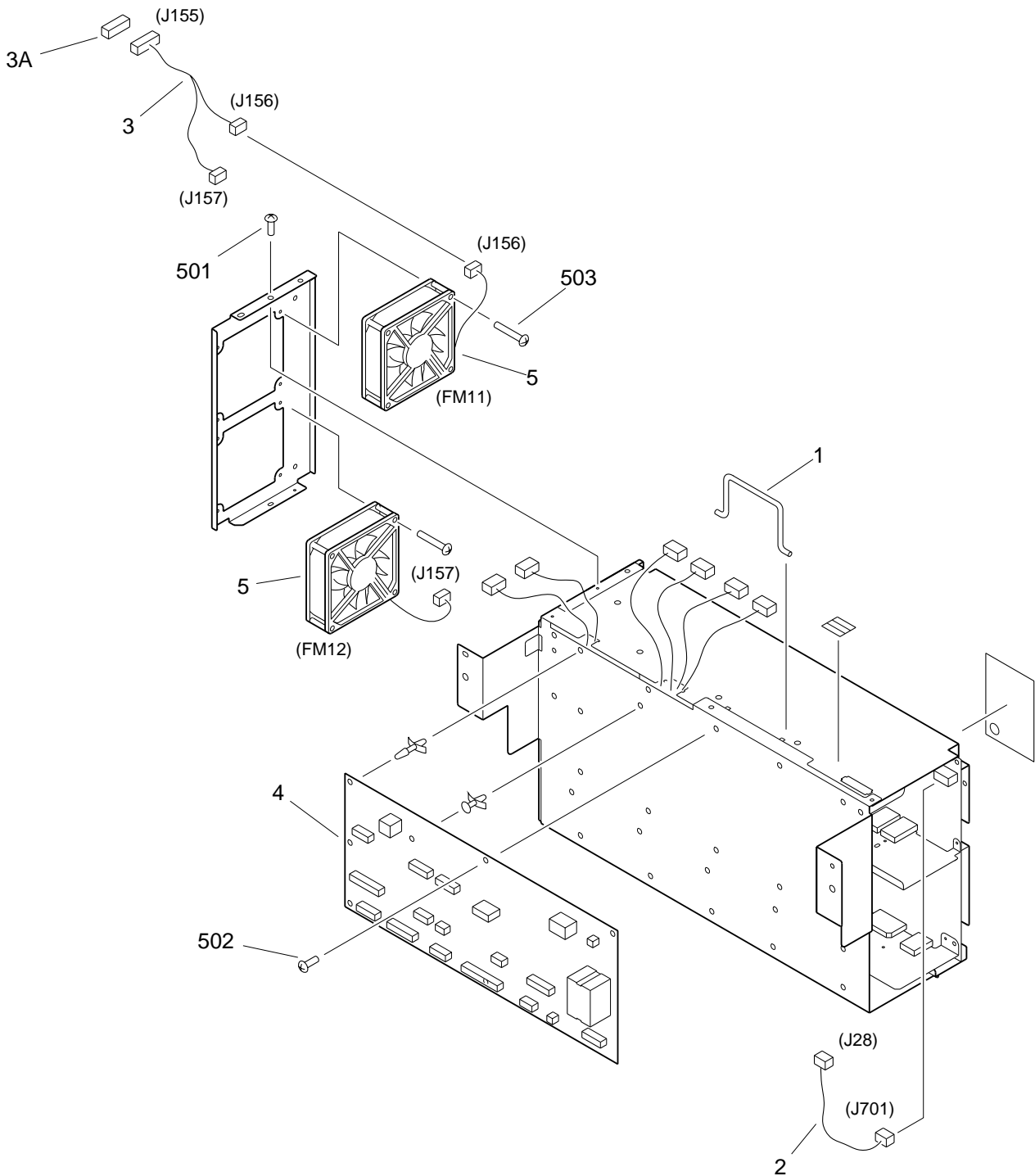


FIGURE & KEY NO.	PART NUMBER	RANK	QTY	DESCRIPTION	SERIAL NUMBER / REMARKS
900 -	NPN		RF	CONTROLLER BOX ASSEMBLY	
1	FB5 - 4010 - 000		1	GROUNDING PLATE, HARD DISK	
2	FB5 - 8482 - 000		1	HOOK, COVER	
3	FB6 - 0782 - 000		2	SPRING, LEAF	
4	FG6 - 5964 - 000		1	ETHERNET BOARD PCB ASSEMBLY	iR8500P/7200P TYPE
5	FG6 - 6853 - 000		2	CABLE, GROUNDING	
6	FG6 - 7215 - 000		1	CABLE, CONTROL PANEL CONNECT	iR8500/8500P TYPE J405,407,1461,6801
	FG6 - 9253 - 000		1	CABLE, CONTROL PANEL CONNECT	iR7200/7200P TYPE J405,407,1461,6801
7	FG6 - 7216 - 000		1	CABLE, CONTROLLER	J50,401,402,1006 J1020,1021,1027,1058 J1091,1454
7 A	VS1 - 6318 - 004		1	CONNECTOR, SNAP TIGHT	J401
7 B	VS1 - 6318 - 009		1	CONNECTOR, SNAP TIGHT	J402
8	FG6 - 7217 - 000		1	CABLE, PIXEL/LINE CHANGE	J121,173,404,408 J1022-1024,1453
8 A	VS1 - 6318 - 005		1	CONNECTOR, SNAP TIGHT	J408
8 B	VS1 - 6318 - 007		1	CONNECTOR, SNAP TIGHT	J173
8 C	VS1 - 6318 - 011		1	CONNECTOR, SNAP TIGHT	J404
8 D	VS1 - 6319 - 028		1	CONNECTOR, SNAP TIGHT	J121
9	FG6 - 7218 - 000		1	CABLE, CONTROL PANEL	J405,407,1018,1019
10	FG6 - 7222 - 000		1	CABLE, DDI-S POWER SUPPLY	J1061,9203
11	FG6 - 7258 - 000		1	CABLE, FLAT	J1014,9201
12	FG6 - 7266 - 000		1	LVDS PCB ASSEMBLY	
13	FG6 - 7278 - 050		1	CONTROL PANEL BORAD PCB	
13 A	WA7 - 1497 - 000		1	DIMM, MT4LSDT864AG-133	
13 B	WA7 - 1498 - 000		1	DIMM, MT8LSDT1664AG-133	
13 C	WK1 - 5019 - 000		1	BATTERY,LITHIUM,CR2477-HE6H 3V	BAT1
14	FG6 - 7281 - 000		1	PIXEL/LINE CHANGE PCB ASSEMBLY	
15	FG6 - 7284 - 000		1	CABLE, CC-IV	J1060
16	FG6 - 8625 - 000		1	CABLE, HARD DISK	J1017,1551
17	FH2 - 6756 - 000		1	CABLE, DDI-S INTERFACE	iR8500/7200P iR7200 100/220/240V J1104,9202

FIGURE & KEY NO.	PART NUMBER	RANK	QTY	DESCRIPTION	SERIAL NUMBER / REMARKS
900 - 17	FF5 - 9451 - 000		1	CABLE, DDI-S INTERFACE	iR7200 208V J1104,9202
18	FH2 - 6900 - 000		1	CABLE, SHIELD	J1302,1452
19	FH5 - 3207 - 000		1	CD-ROM, USER SOFTWARE,PS-KANJI	iR8500P TYPE
	FH5 - 3270 - 000		1	CD-ROM, USER SOFTWARE,PS-KANJI	iR7200P TYPE
20	FH6 - 1878 - 000		1	FAN	FM16 J1028
21	WE8 - 5851 - 000		2	CORE, FERRITE	
22	WM2 - 5152 - 000		1	HARD DISK DRIVE	
23	XA9 - 0465 - 000		1	SCREW, W/WASHER, M3X4	
24	XA9 - 0828 - 000		3	SCREW, W/STAR WASHER, M3X4	
25	XA9 - 0836 - 000		22	SCREW,TP,M3X6	
26	XA9 - 0836 - 000		2	SCREW,TP,M3X6	
27	XA9 - 1207 - 000		4	SCREW,M4X12	
28	XA9 - 1208 - 000		4	SCREW,M3X12	
29	XH9 - 0110 - 000		8	RUBBER, CUSHION	
30	XZ9 - 0503 - 000		8	SPACER	
501	XB1 - 2300 - 607		1	SCREW,MACH.,TRUSS HEAD,M3X6	
502	XB1 - 2300 - 607		2	SCREW,MACH.,TRUSS HEAD,M3X6	
503	XB1 - 2400 - 607		16	SCREW,MACH.,TRUSS HEAD,M4X6	
504	XB1 - 2402 - 009		2	SCREW,MACH.,TRUSS HEAD,M4X20	
I C1003	FH4 - 6123 - 000		1	IC, M38871M2-010GP, MCU	
I C1005	FH4 - 6145 - 000		1	IC, GATE ARRAY	
I C1006	FH4 - 6151 - 000		1	IC, UPD89410S1-003, GATE ARRAY	
I C1009	FH4 - 6085 - 000		1	IC, SLA902FM2J, GATE ARRAY	
I C1010	FH4 - 6149 - 000		1	IC, L7B1697, GATE ARRAY	

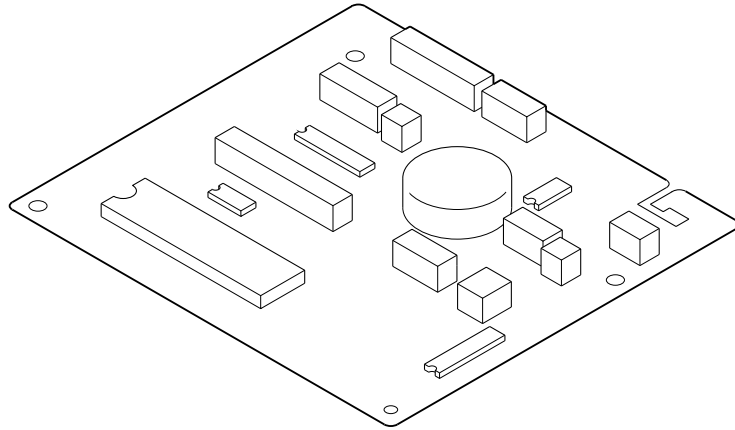
FIGURE 910 DC POWER SUPPLY PCB ASSEMBLY



NOTE: This assembly does not include the parts shown with key No. 4 and 502.

FIGURE & KEY NO.	PART NUMBER	RANK	QTY	DESCRIPTION	SERIAL NUMBER / REMARKS
910 -	FG6 - 7237 - 000		1	DC POWER SUPPLY PCB ASSEMBLY	100V
	FG6 - 7238 - 000		1	DC POWER SUPPLY PCB ASSEMBLY	208/220/240V
1	FB4 - 1612 - 000		1	HANDLE	
2	FG6 - 1882 - 000		1	CABLE, POWER SUPPLY INTERNAL	J28,701
3	FG6 - 1887 - 000		1	CABLE, POWER SUPPLY FAN	J155-157
3 A	VS1 - 6318 - 006		1	CONNECTOR, SNAP TIGHT	J155
4	FG6 - 7239 - 000		1	RELAY PCB ASSEMBLY	SEE NOTE
5	FH6 - 1546 - 000		2	FAN, COOLING	FM11,12 J156,157
501	XB1 - 2300 - 607		1	SCREW,MACH.,TRUSS HEAD,M3X6	
502	XB1 - 2300 - 607		1	SCREW,MACH.,TRUSS HEAD,M3X6	SEE NOTE
503	XB1 - 2403 - 009		4	SCREW,MACH.,TRUSS HEAD,M4X30	
CT111	FH3 - 0666 - 000		1	TRANSFORMER	208/220/240V
CT301	FH3 - 0665 - 000		1	TRANSFORMER	
FU101	VD7 - 0461 - 502		1	FUSE, AC125V 15A	100V
	VD7 - 0646 - 301		1	FUSE	208/220/240V
L 4	FH3 - 7195 - 000		1	CHOKE COIL, SN14-8000	208/220/240V
L101	FH7 - 9308 - 000		1	COIL, CHOKE	100V
L111	FH3 - 7170 - 000		1	COIL, CHOKE	100V
L112	FH3 - 0887 - 000		1	COIL, CHOKE	100V
L151	FH3 - 7170 - 000		1	COIL, CHOKE	100V
L251	FH3 - 0889 - 000		1	COIL, CHOKE	
L301	RH6 - 3148 - 000		1	SN COIL, 110UH, 3A	100V
L351	FH3 - 0890 - 000		1	COIL, CHOKE	
L501	FH3 - 0688 - 000		1	COIL, CHOKE	
Q901	FH4 - 6040 - 000		1	IC, H8D2885, HYBRID	
Q931	FH4 - 6040 - 000		1	IC, H8D2885, HYBRID	
T301	FH3 - 0744 - 000		1	TRANSFORMER	
T901	FH3 - 0888 - 000		1	TRANSFORMER	
T931	FH3 - 0740 - 000		1	TRANSFORMER	

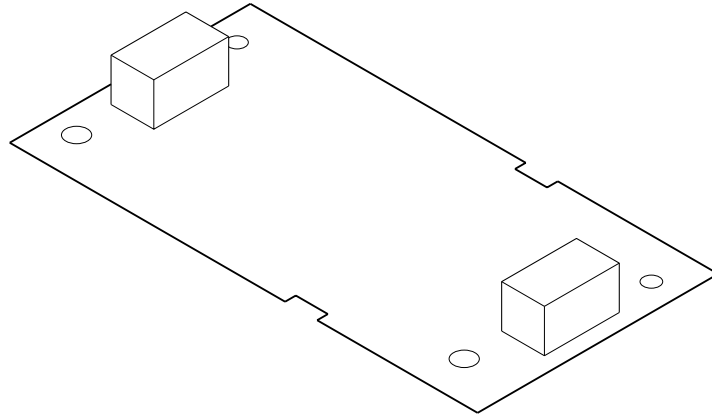
FIGURE 920 CONTROL PANEL CPU PCB ASSEMBLY



NOTE: This assembly is included in the assembly shown in Figure 130.

FIGURE & KEY NO.	PART NUMBER	RANK	QTY	DESCRIPTION	SERIAL NUMBER / REMARKS
920 -	FG3 - 1795 - 000		1	CONTROL PANEL CPU PCB ASSEMBLY	SEE NOTE
Q6 8 2 2	FH4 - 1380 - 000		1	IC, N010-0559-V123, MPU	

FIGURE 925 CONTROL PANEL INVERTER PCB ASSEMBLY



NOTE: This assembly is included in the assembly shown in Figure 130.

FIGURE & KEY NO.	PART NUMBER	RANK	QTY	DESCRIPTION	SERIAL NUMBER / REMARKS
925 -	FG6 - 7738 - 000		1	C. PANEL INVERTER PCB ASSEMBLY	SEE NOTE
FU1	VD7 - 1622 - 001		1	FUSE, 2A, 60V	
T1	FH3 - 0961 - 000		1	TRANSFORMER, INVERTER	

FIGURE 930 DC CONTROLLER PCB ASSEMBLY

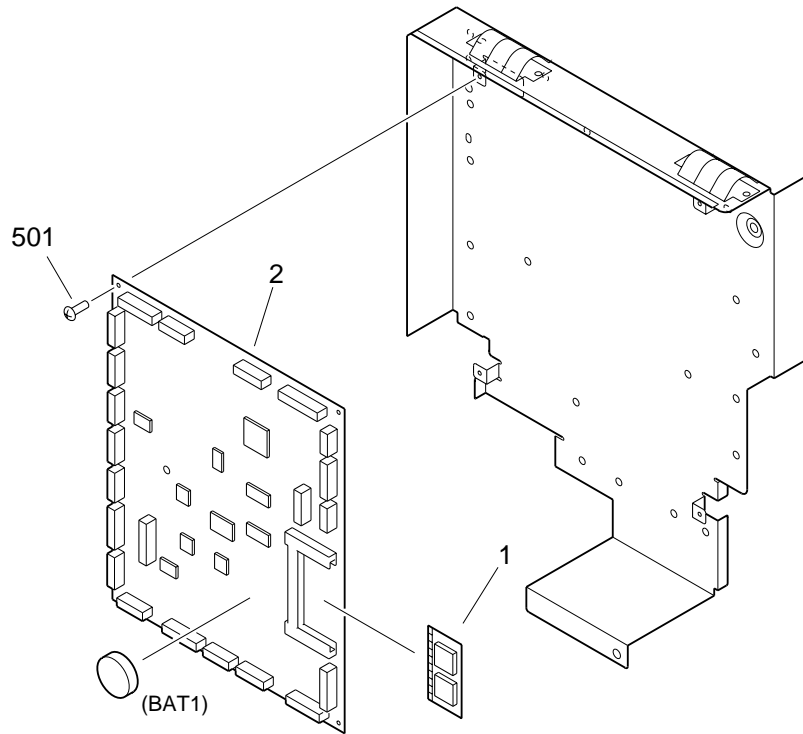


FIGURE & KEY NO.	PART NUMBER	RANK	QTY	DESCRIPTION	SERIAL NUMBER / REMARKS
930 -	NPN		RF	DC CONTROLLER PCB ASSEMBLY	
1	FG3 - 1689 - 100		1	DIMM ASS'Y	
2	FG9 - 3851 - 000		1	DC CONTROLLER PCB ASSEMBLY	
501	XB1 - 2400 - 607		4	SCREW,MACH.,TRUSS HEAD,M4X6	
BAT1	WK1 - 0084 - 000		1	BATTERY, 3V, 550 MAH	
I C32	FH4 - 6156 - 000		1	IC, HG71G046A2R09FE,GATE ARRAY	
I C40	FH4 - 6123 - 000		1	IC, M38871M2-010GP, MCU	

READER CONTROLLER PCB ASSEMBLY (iR8500/8500P TYPE)

FIGURE 935

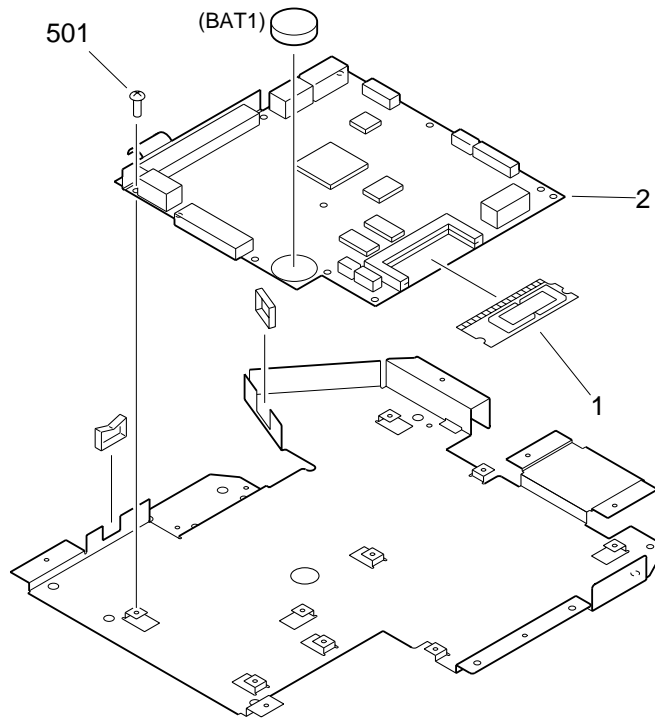


FIGURE & KEY NO.	PART NUMBER	RANK	QTY	DESCRIPTION	SERIAL NUMBER / REMARKS
935 -	NPN		RF	READER CONTROLLER PCB ASSEMBLY	iR8500/8500P TYPE
1	FG3 - 1690 - 030		1	DIMM ASS'Y, MBM29F040C-90PFTN	
2	FG6 - 7405 - 000		1	READER CONTROL PCB ASSEMBLY	
501	XB1 - 2400 - 607		7	SCREW,MACH.,TRUSS HEAD,M4X6	
BAT1	WK1 - 0084 - 000		1	BATTERY, 3V, 550 MAH	
IC 4	FH4 - 6135 - 000		1	IC, UPD65454GN-121, GATE ARRAY	
IC 5	FH4 - 6123 - 000		1	IC, M38871M2-010GP, MCU	
IC18	FH4 - 6136 - 000		1	IC, MB87L1870, GATE ARRAY	

READER CONTROLLER PCB ASSEMBLY (iR7200/7200P TYPE)

FIGURE 936

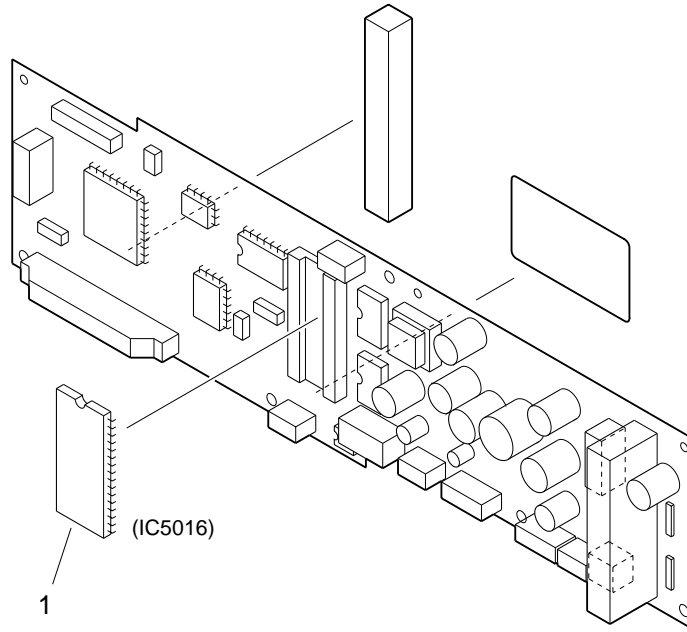
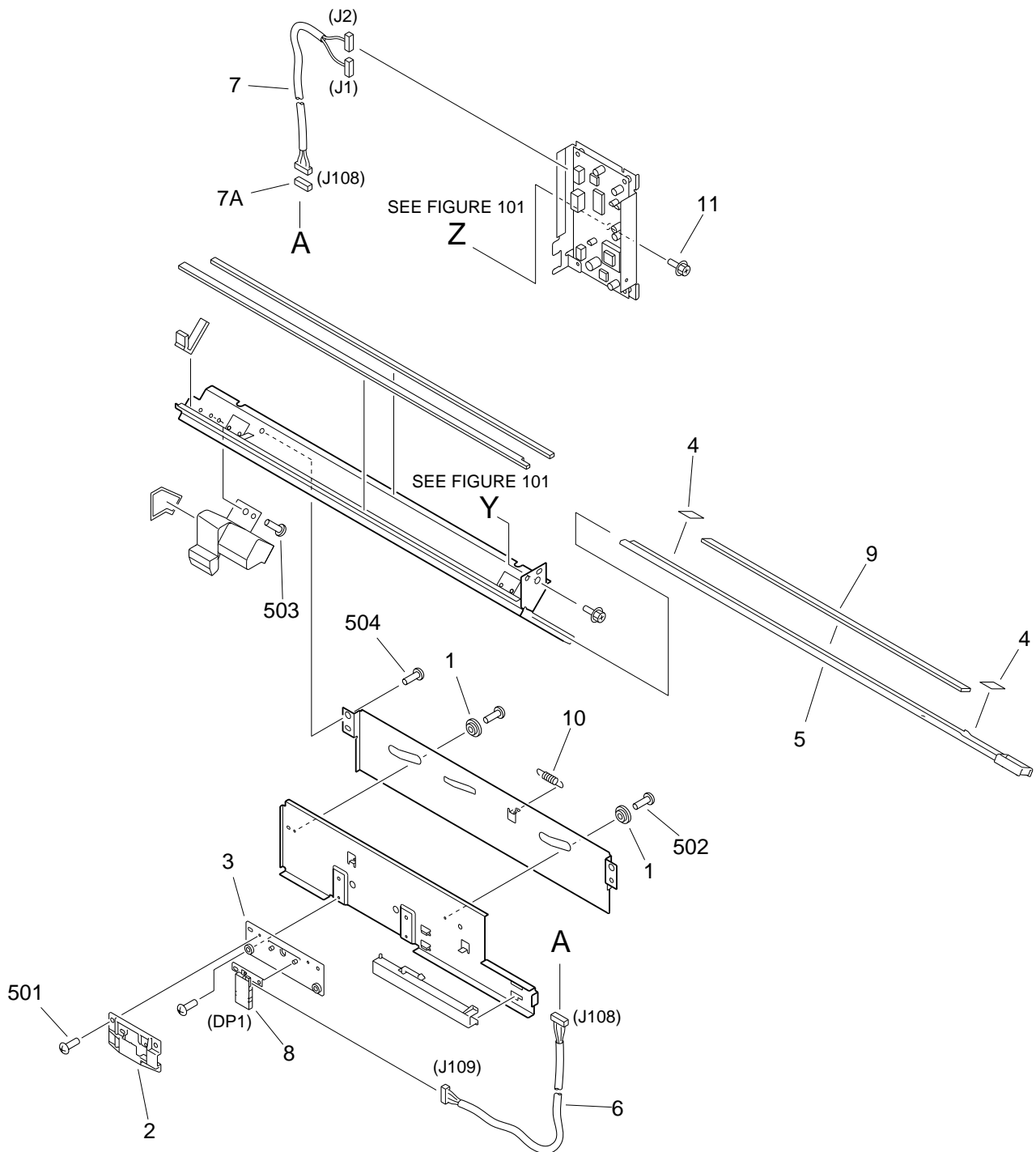


FIGURE & KEY NO.	PART NUMBER	RANK	QTY	DESCRIPTION	SERIAL NUMBER / REMARKS
936 -	FG6 - 4954 - 030		1	READER CONTROLLER PCB ASSEMBLY	iR7200/7200P TYPE
1	FF3 - 3952 - 040		1	IC, HN27C4096AHG-85, EP-ROM	IC5016
I C 5 0 0 5	FH4 - 5855 - 000		1	IC, H8D2760A, PWM CONTROL	
I C 5 0 2 1	FH4 - 6123 - 000		1	IC, M38871M2-010GP, MCU	
I C 5 0 2 3	FH4 - 6102 - 000		1	IC, UPD82425GD-001-LML	
L 5 0 0 2	FH3 - 0932 - 000		1	COIL, CHOKE	

FIGURE 940 POTENTIAL MEASURING PCB ASSEMBLY



NOTE: This assembly does not include the parts shown with key No. 4, 5, 9, and 11.

FIGURE & KEY NO.	PART NUMBER	RANK	QTY	DESCRIPTION	SERIAL NUMBER / REMARKS
940 -	FG6 - 7428 - 000		1	POTENTIAL MEASURING PCB ASS'Y	
1	FA4 - 8609 - 000		2	SPACER	
2	FB4 - 1947 - 000		1	MOUNT, SENSOR, UPPER	
3	FB4 - 1948 - 000		1	MOUNT, SENSOR, LOWER	
4	FB4 - 9346 - 000		2	TAPE, GLASS	SEE NOTE
5	FF5 - 7651 - 000		1	HOLDER, DUST-PROOF GLASS	SEE NOTE
6	FG6 - 1884 - 000		1	CABLE, SENSOR CONNECTING	J108,109
7	FG6 - 1885 - 000		1	CABLE, POTENTIAL SENSOR	J1,2,108
7 A	VS1 - 5057 - 006		1	CONNECTOR, SNAP TIGHT	J108
8	FH4 - 6019 - 000		1	POTENTIAL SENSOR UNIT	DP1 J109
9	FN5 - 4002 - 000		1	GLASS, DUST-PROOF	SEE NOTE
10	FS6 - 2759 - 000		1	SPRING, TENSION	
11	XA9 - 0643 - 000		2	SCREW,RS,M4X10	SEE NOTE
501	XB1 - 2300 - 609		4	SCREW,MACH.,TRUSS HEAD,M3X6	
502	XB1 - 2300 - 609		2	SCREW,MACH.,TRUSS HEAD,M3X6	
503	XB1 - 2400 - 609		1	SCREW,MACH.,TRUSS HEAD,M4X6	
504	XB1 - 2400 - 609		2	SCREW,MACH.,TRUSS HEAD,M4X6	
RA1	FH4 - 9181 - 000		1	RESISTOR ARRAY, 10MOHM	
T1	FH3 - 0242 - 000		1	TRANSFORMER	

FIGURE 945 INVERTER PCB ASSEMBLY

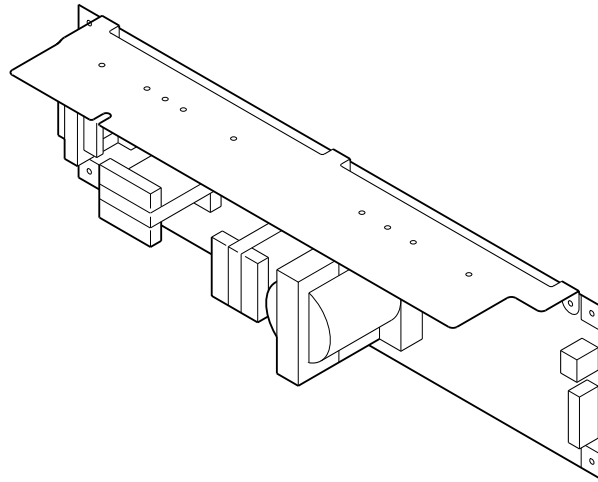


FIGURE & KEY NO.	PART NUMBER	RANK	QTY	DESCRIPTION	SERIAL NUMBER / REMARKS
945 -	FG6 - 2291 - 000		1	INVERTER PCB ASSEMBLY	
FU1001	VD7 - 1624 - 000		1	FUSE, 4A, 60V	
FU1002	VD7 - 1621 - 001		1	FUSE, 60V, 1A	
L1001	FH3 - 7203 - 000		1	INDUCTOR	
L1002	FH3 - 7202 - 000		1	INDUCTOR	
T1001	FH3 - 0879 - 000		1	TRANSFORMER	
T1002	FH3 - 0666 - 000		1	TRANSFORMER	
T1003	FH3 - 0881 - 000		1	TRANSFORMER	

FIGURE 960 AC DRIVER PCB ASSEMBLY

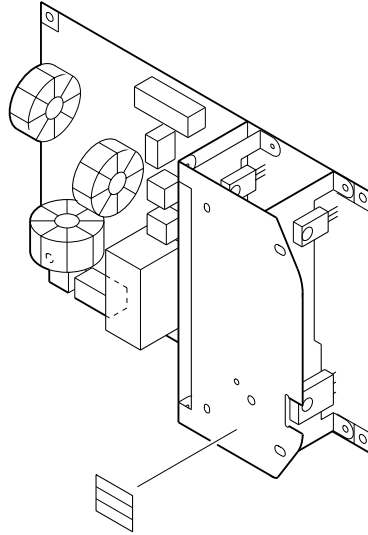


FIGURE & KEY NO.	PART NUMBER	RANK	QTY	DESCRIPTION	SERIAL NUMBER / REMARKS
960 -	FG6 - 7263 - 000		1	AC DRIVER PCB ASSEMBLY	100V
	FG6 - 7264 - 000		1	AC DRIVER PCB ASSEMBLY	208/220/240V
FU1	VD5 - 0322 - 501		1	FUSE, 2.5A 125V	100V
FU2	VD7 - 1832 - 501		1	FUSE, 2.5A 250V	208/220/240V
L 1	FH3 - 0939 - 000		1	INDUCTOR	100V
<hr style="border-top: 1px dashed black;"/>					
	FH3 - 0938 - 000		1	INDUCTOR	208/220/240V
L 2	FH3 - 0939 - 000		1	INDUCTOR	100V
	FH3 - 0938 - 000		1	INDUCTOR	208/220/240V
RL 1	FH7 - 6331 - 000		1	RELAY	
SK1	RH6 - 3434 - 000		1	FILTER, NOISE	
<hr style="border-top: 1px dashed black;"/>					
SK2	RH6 - 3434 - 000		1	FILTER, NOISE	
SK3	RH6 - 3434 - 000		1	FILTER, NOISE	
SK4	RH6 - 3434 - 000		1	FILTER, NOISE	
T 1	FH3 - 0937 - 000		1	INDUCTOR	100V
	FH3 - 0936 - 000		1	INDUCTOR	208/220/240V

DOCUMENT DETECT PCB ASSEMBLY (iR8500/8500P TYPE)

FIGURE 970

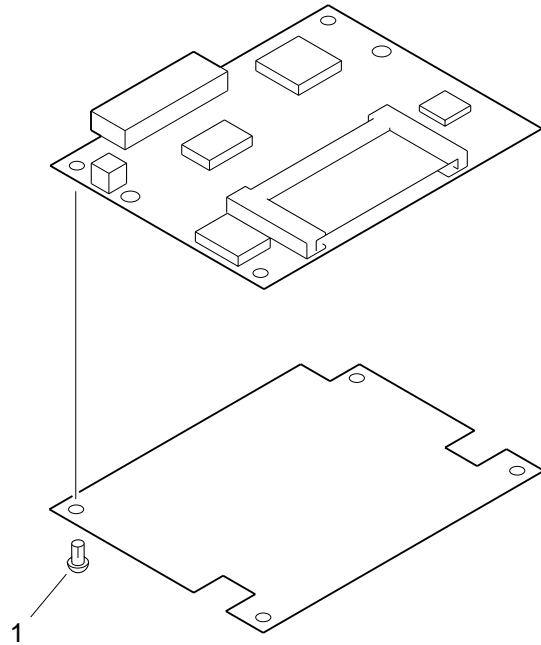
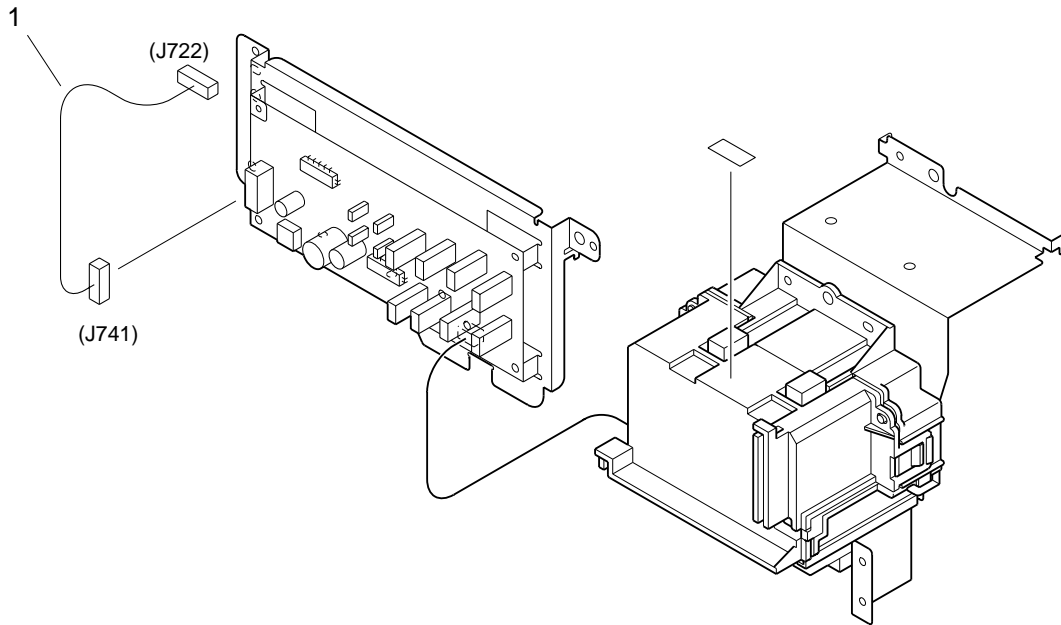


FIGURE & KEY NO.	PART NUMBER	R A N K	Q' T Y	DESCRIPTION	SERIAL NUMBER / REMARKS
970 -	FG6 - 7256 - 000		1	DOCUMENT DETECT PCB ASSEMBLY	iR8500/8500P TYPE
1	WT8 - 0053 - 000		4	RIVET, NYLON	
I C 2	FH4 - 5904 - 000		1	IC, MBCG46833-119, GATE ARRAY	
I C 3	FH4 - 5905 - 000		1	IC, MB87D119, GATE ARRAY	
I C 5	FH4 - 6154 - 000		1	IC, MB87L1890, GATE ARRAY	
I C 12	FH4 - 3882 - 000		1	IC, MR27V402E-013TP, MASK-ROM	
I C 13	FH4 - 3883 - 000		1	IC, MR27V402E-038TP, MASK-ROM	

FIGURE 980 H.V. AC TRANSFORMER PCB ASSEMBLY



NOTE: This assembly does not include the part shown with key No.1.

FIGURE & KEY NO.	PART NUMBER	RANK	QTY	DESCRIPTION	SERIAL NUMBER / REMARKS
980 -	FG9 - 3903 - 000		1	H.V. AC TRANSFORMER PCB ASS'Y	iR8500/8500P TYPE
	FG6 - 7249 - 030		1	H.V. AC TRANSFORMER PCB ASS'Y	iR7200/7200P TYPE
1	FG6 - 7220 - 000		1	CABLE, H.V. CONNECTING	J722,741 SEE NOTE
T1	FH3 - 5237 - 000		1	TRANSFORMER	

FIGURE 985 H.V. DC TRANSFORMER PCB ASSEMBLY

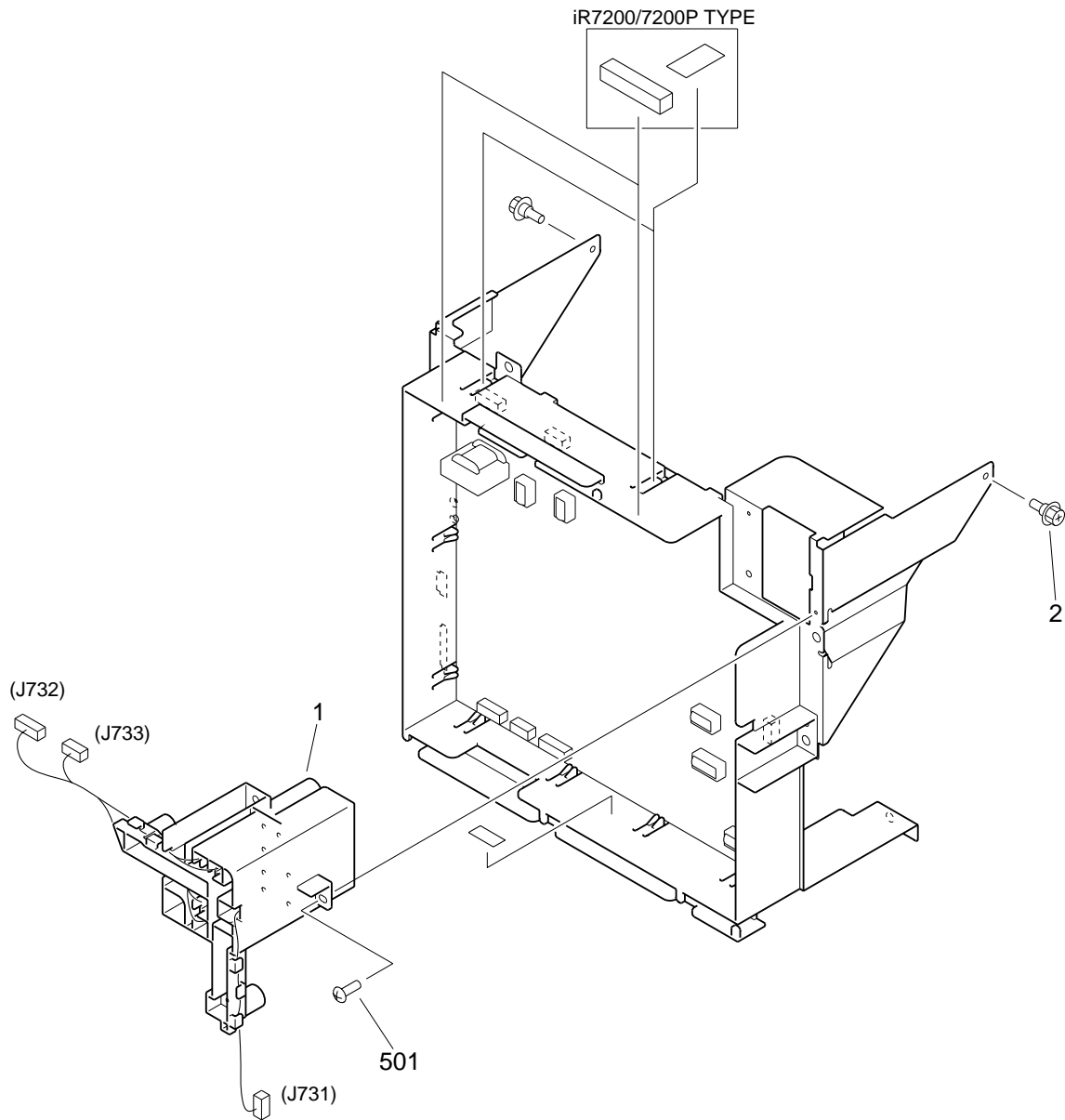


FIGURE & KEY NO.	PART NUMBER	RANK	QTY	DESCRIPTION	SERIAL NUMBER / REMARKS
985 -	FG6 - 7251 - 000		1	H.V. DC TRANSFORMER PCB ASS'Y	iR8500/8500P TYPE
	FG6 - 8913 - 000		1	H.V. DC TRANSFORMER PCB ASS'Y	iR7200/7200P TYPE
1	FH2 - 9231 - 000		1	JOINT CONNECTOR UNIT	J731-733
2	FS5 - 9214 - 000		2	SCREW,RS STEPPED,M4	
501	XB1 - 2400 - 609		4	SCREW,MACH.,TRUSS HEAD,M4X6	

R206	FH4 - 9157 - 000		1	RESISTOR, 4MOHM, 1/4W	
R551	FH6 - 3337 - 000		1	RESISTOR, 3MOHM, 1/3W	
R561	FH6 - 3337 - 000		1	RESISTOR, 3MOHM, 1/3W	
R571	FH6 - 3337 - 000		1	RESISTOR, 3MOHM, 1/3W	
R581	FH6 - 3337 - 000		1	RESISTOR, 3MOHM, 1/3W	

R851	FH6 - 3337 - 000		1	RESISTOR, 3MOHM, 1/3W	
R857	FH6 - 3337 - 000		1	RESISTOR, 3MOHM, 1/3W	
T101	FH3 - 0893 - 000		1	TRANSFORMER	
T202	RH3 - 0071 - 000		1	TRANSFORMER	
T301	FH3 - 0894 - 000		1	TRANSFORMER	

T401	FH3 - 0894 - 000		1	TRANSFORMER	
T501	FH3 - 0893 - 000		1	TRANSFORMER	
T601	FH3 - 0766 - 000		1	TRANSFORMER	
T701	FH3 - 0830 - 000		1	TRANSFORMER	
T801	FH3 - 0893 - 000		1	TRANSFORMER	

FIGURE B LIST OF CONNECTORS(1/5)

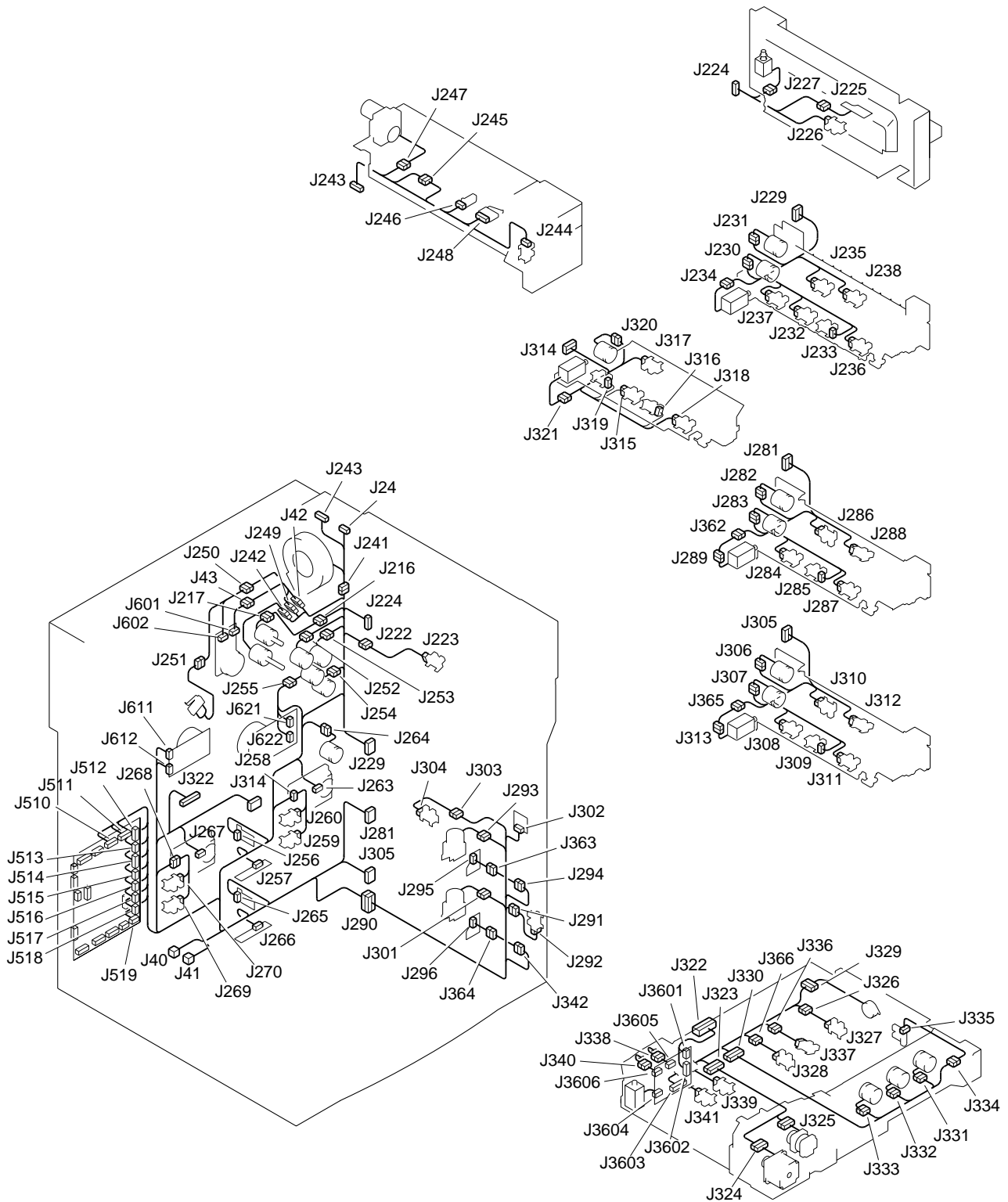


FIGURE B LIST OF CONNECTORS(2/5)

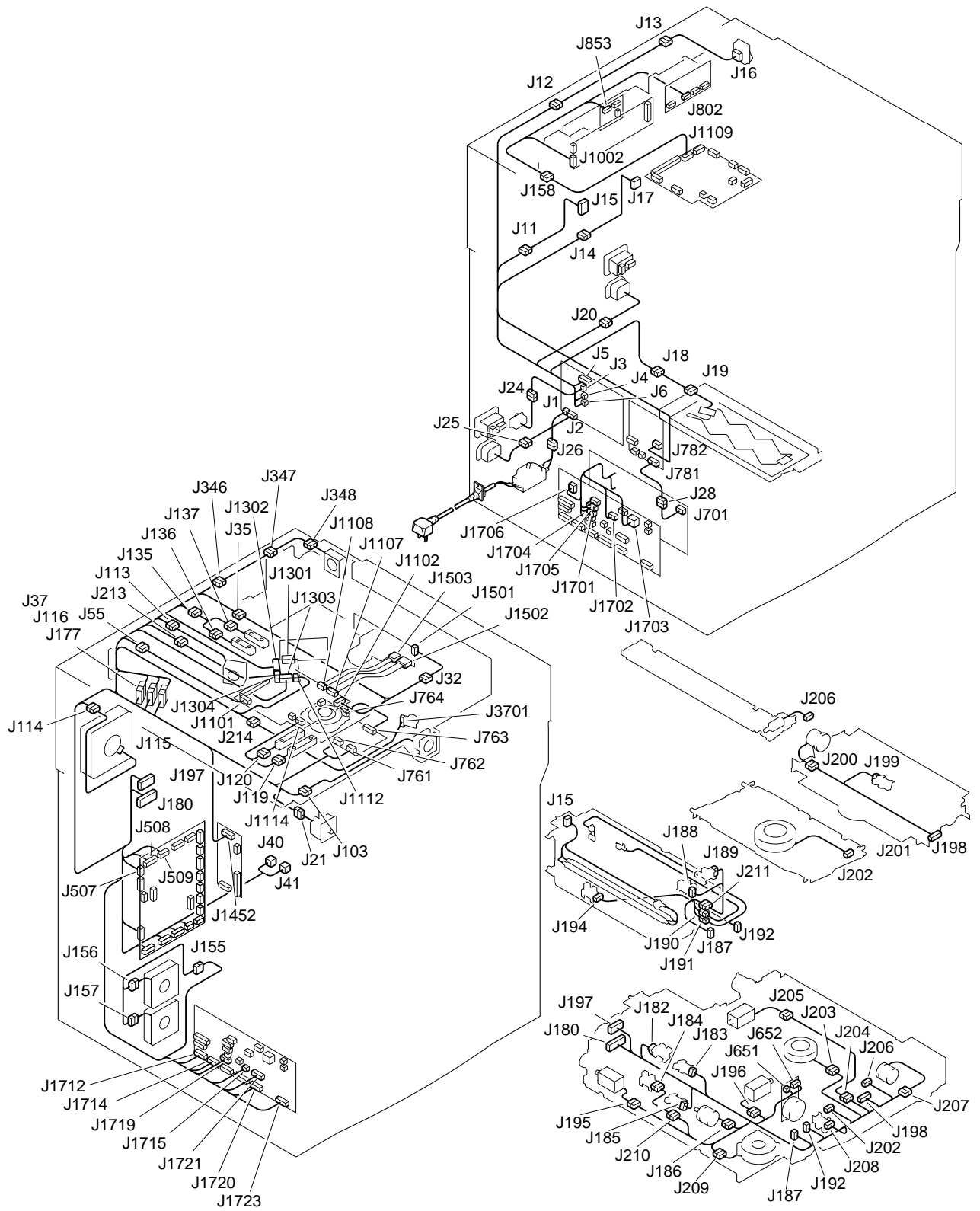


FIGURE B LIST OF CONNECTORS(3/5)

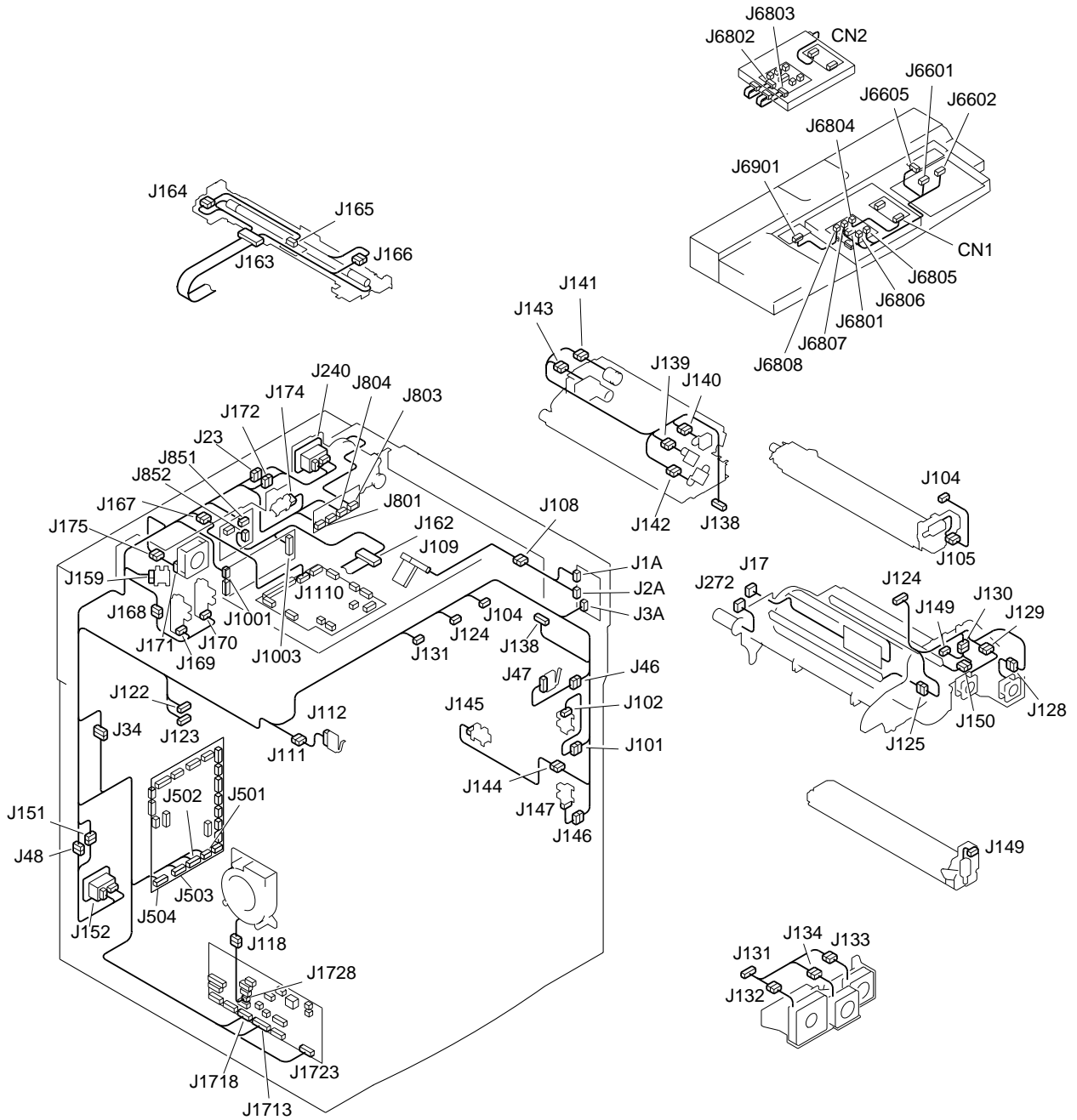


FIGURE B LIST OF CONNECTORS(4/5)

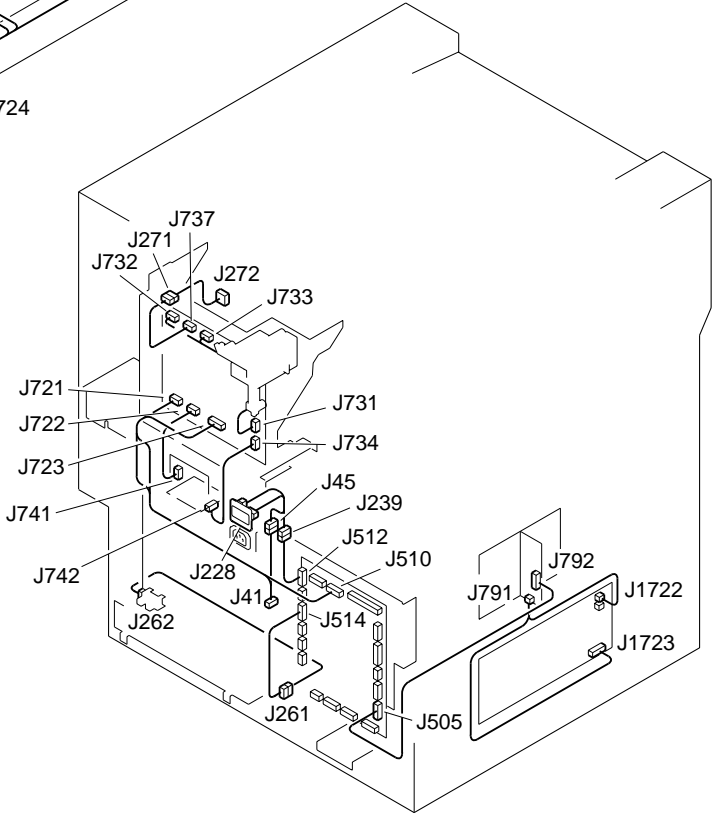
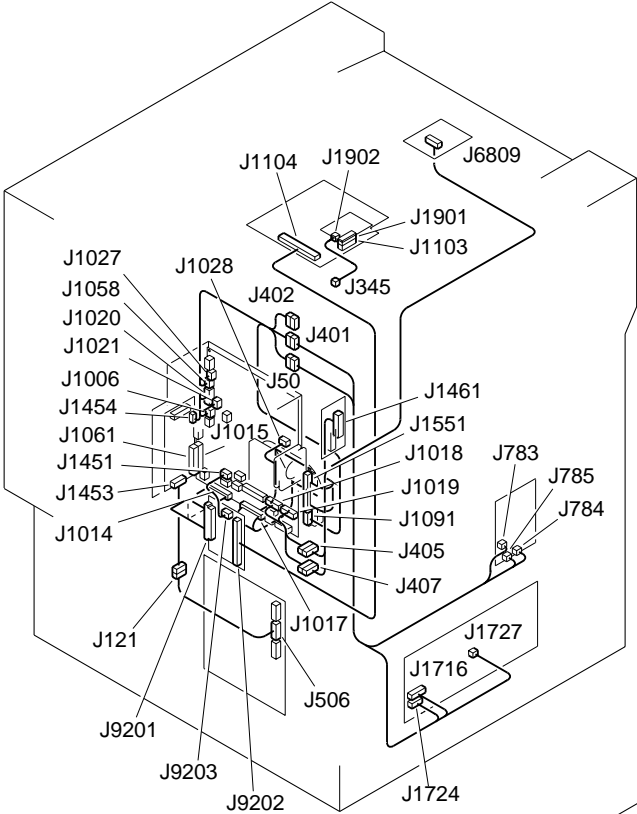


FIGURE B LIST OF CONNECTORS(5/5)

iR7200/7200P TYPE

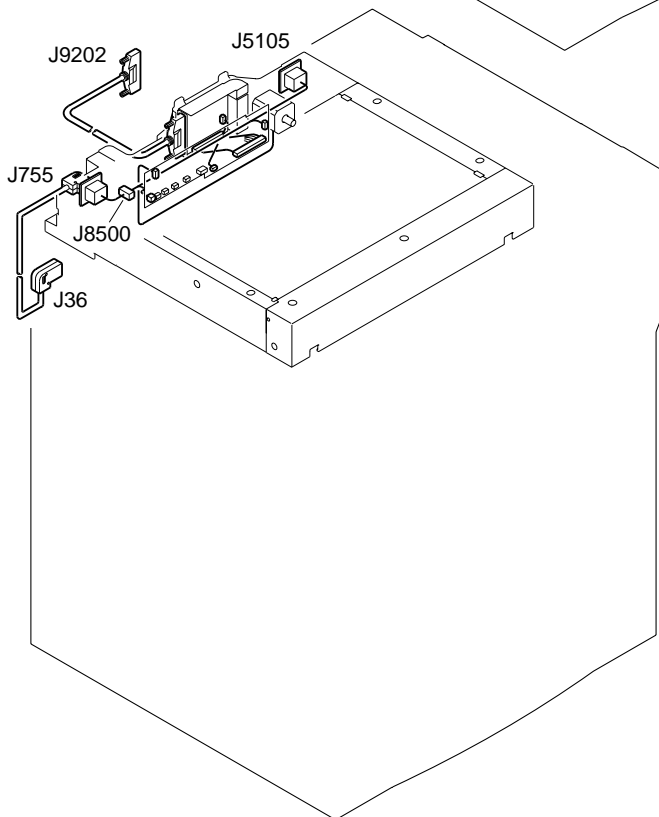
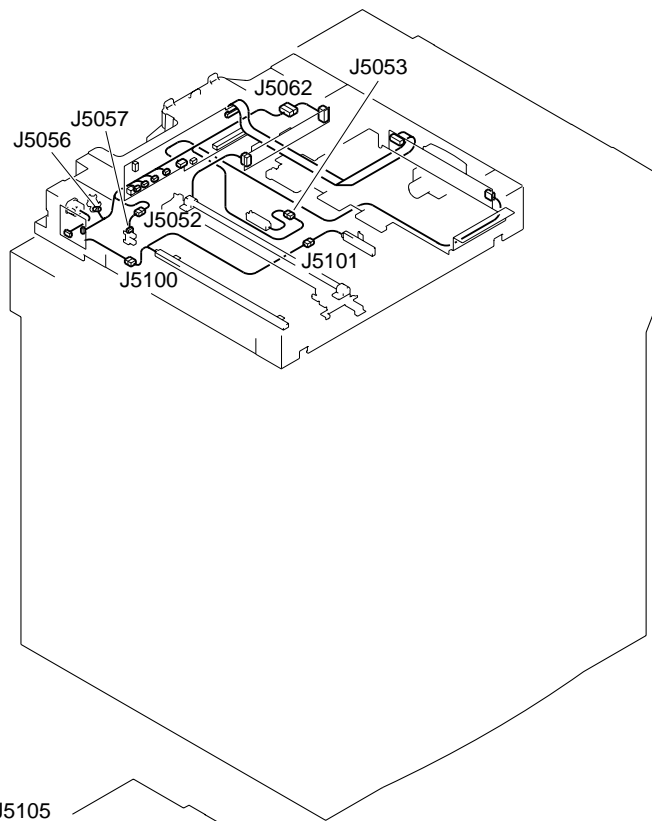


FIGURE & KEY NO.	PART NUMBER	RANK	QTY	DESCRIPTION	SERIAL NUMBER / REMARKS	
B - CN1	NPN		RF	LIST OF CONNECTORS		
	NPN			ANALOG TOUCH PANEL		
	VS1 - 0842 - 002		1	CONNECTOR, 2P, FEMALE		
	CN2	NPN			LCD CONTROL PANEL	
		NPN			ANALOG TOUCH PANEL	
J 1	PCB			POTENTIAL MEASURING		
	VS1 - 0279 - 005		1	CONNECTOR, 5P, FEMALE		
	WS3 - 0437 - 000		3	SOCKET CONTACT, 20-30AWG		
	PCB			AC DRIVER		
	VS1 - 6380 - 003		1	CONNECTOR, 3P, MALE		
J 2	WS3 - 5472 - 000		2	SOCKET CONTACT, 12AWG		
	PCB			POTENTIAL MEASURING		
	VS1 - 0279 - 004		1	CONNECTOR, 4P, FEMALE		
	WS3 - 0469 - 000		3	SOCKET CONTACT, 26-30AWG		
	PCB			AC DRIVER		
J 3	VS3 - 5083 - 007		1	CONNECTOR, 7P, FEMALE		
	WS3 - 5160 - 000		2	SOCKET CONTACT, 18-24AWG		
	PCB			POTENTIAL MEASURING		
	VS1 - 6321 - 004		1	CONNECTOR, 4P, FEMALE		
	PCB			AC DRIVER		
J 4	VS3 - 5083 - 003		1	CONNECTOR, 3P, FEMALE		
	WS3 - 5160 - 000		3	SOCKET CONTACT, 18-24AWG		
	PCB			AC DRIVER		
	VS1 - 6380 - 002		1	CONNECTOR, 2P, MALE		
	WS3 - 5292 - 000		2	SOCKET CONTACT		
J 5	PCB			AC DRIVER		
	VS3 - 5083 - 011		1	CONNECTOR, 11P, FEMALE		
	WS3 - 5160 - 000		6	SOCKET CONTACT, 18-24AWG		
J 6	PCB			AC DRIVER		
	VS1 - 6380 - 004		1	CONNECTOR, 4P, MALE		

FIGURE & KEY NO.	PART NUMBER	RANK	QTY	DESCRIPTION	SERIAL NUMBER / REMARKS
B - J 6	WS3 - 5292 - 000		3	SOCKET CONTACT	
J 1 1	FG6 - 1904 - 000		1	CABLE, FIXING DRAWER CONNECT	
	VS3 - 5121 - 003		1	CONNECTOR, 3P, FEMALE	
	WS3 - 5291 - 000		3	PIN CONTACT	
J 1 2	VS1 - 6380 - 004		1	CONNECTOR, 4P, MALE	
	VS3 - 5121 - 004		1	CONNECTOR, 4P, FEMALE	
	WS3 - 5291 - 000		4	PIN CONTACT	
	WS3 - 5292 - 000		4	SOCKET CONTACT	
J 1 3	VS1 - 6380 - 004		1	CONNECTOR, 4P, MALE	
	VS3 - 5121 - 004		1	CONNECTOR, 4P, FEMALE	
	WS3 - 5291 - 000		4	PIN CONTACT	
	WS3 - 5292 - 000		4	SOCKET CONTACT	
J 1 4	FG6 - 7201 - 000		1	CABLE, DRUM HEATER CONNECTING	
	VS4 - 0002 - 003		1	CONNECTOR, 3P, FEMALE	
	WS4 - 0217 - 000		2	SOCKET CONTACT, 22-18AWG	
J 1 5	FG6 - 1875 - 000		1	CABLE, AC, FIXING/FEEDER	
	FG6 - 1904 - 000		1	CABLE, FIXING DRAWER CONNECT	
J 1 6	NPN			MAIN SWITCH	SW1
	RH2 - 5339 - 000		1	CONNECTOR, 4P, FEMALE	
	WT1 - 0579 - 000		4	RECEPTACLE	
J 1 7	FG6 - 1853 - 000		1	CABLE, DRUM HEATER	
	FG6 - 7201 - 000		1	CABLE, DRUM HEATER CONNECTING	
J 1 8	VS4 - 0001 - 003		1	CONNECTOR, 3P, MALE	
	VS4 - 0002 - 003		1	CONNECTOR, 3P, FEMALE	
	WS4 - 0217 - 000		2	SOCKET CONTACT, 22-18AWG	
J 1 9	WS4 - 0219 - 000		2	PIN CONTACT, 18-22AWG	
	NPN			CASSETTE HEATER	H4
	VS4 - 0001 - 003		1	CONNECTOR, 3P, MALE	
	WS4 - 0219 - 000		2	PIN CONTACT, 18-22AWG	
J 2 0	VS4 - 0001 - 002		1	CONNECTOR, 2P, MALE	

FIGURE & KEY NO.	PART NUMBER	RANK	QTY	DESCRIPTION	SERIAL NUMBER / REMARKS
B - J 2 0	VS4 - 0002 - 002		1	CONNECTOR, 2P, FEMALE	
	WS4 - 0217 - 000		2	SOCKET CONTACT, 22-18AWG	
J 2 1	WS4 - 0219 - 000		2	PIN CONTACT, 18-22AWG	
	VS4 - 0001 - 002		1	CONNECTOR, 2P, MALE	
	VS4 - 0002 - 002		1	CONNECTOR, 2P, FEMALE	
J 2 3	WS4 - 0218 - 000		2	SOCKET CONTACT, 22-26AWG	
	WS4 - 0220 - 000		2	PIN CONTACT, 22-26AWG	
	VS1 - 5729 - 002		1	CONNECTOR, 2P, MALE	iR8500/8500P TYPE
	VS3 - 5083 - 002		1	CONNECTOR, 2P, FEMALE	iR8500/8500P TYPE
	WS3 - 5160 - 000		2	SOCKET CONTACT, 18-24AWG	iR8500/8500P TYPE
J 2 4	WS3 - 5301 - 000		2	PIN CONTACT	iR8500/8500P TYPE
	VS1 - 6380 - 004		1	CONNECTOR, 4P, MALE	
	VS3 - 5121 - 004		1	CONNECTOR, 4P, FEMALE	
	WS3 - 5291 - 000		3	PIN CONTACT	
	WS3 - 5292 - 000		3	SOCKET CONTACT	
J 2 5	VS3 - 5121 - 002		1	CONNECTOR, 2P, FEMALE	208/220/240V
	VS4 - 0001 - 003		1	CONNECTOR, 3P, MALE	
	WS4 - 0217 - 000		2	SOCKET CONTACT, 22-18AWG	208/220/240V
	WS4 - 0219 - 000		2	PIN CONTACT, 18-22AWG	
J 2 6	VS1 - 6380 - 002		1	CONNECTOR, 2P, MALE	
J 2 8	VS3 - 5121 - 002		1	CONNECTOR, 2P, FEMALE	
	WS3 - 5472 - 000		2	SOCKET CONTACT, 12AWG	
	WS3 - 5473 - 000		2	PIN, CONTACT, 12AWG	
	VS1 - 5729 - 007		1	CONNECTOR, 7P, MALE	
	VS3 - 5083 - 007		1	CONNECTOR, 7P, FEMALE	
J 3 0	WS3 - 5160 - 000		4	SOCKET CONTACT, 18-24AWG	
	WS3 - 5301 - 000		4	PIN CONTACT	
	VS1 - 5729 - 004		1	CONNECTOR, 4P, MALE	iR7200/7200P TYPE
	VS3 - 5083 - 004		1	CONNECTOR, 4P, FEMALE	iR7200/7200P TYPE
	WS3 - 5160 - 000		4	SOCKET CONTACT, 18-24AWG	iR7200/7200P TYPE

FIGURE & KEY NO.	PART NUMBER	RANK	QTY	DESCRIPTION	SERIAL NUMBER / REMARKS
B - J 3 0	WS3 - 5301 - 000		4	PIN CONTACT	iR7200/7200P TYPE
J 3 2	VS1 - 6373 - 008		1	CONNECTOR, 8P, FEMALE	iR8500/8500P TYPE
	VS1 - 6490 - 008		1	CONNECTOR, 8P, MALE	iR8500/8500P TYPE
	WS3 - 5598 - 000		8	PIN CONTACT	iR8500/8500P TYPE
	WS3 - 5680 - 000		8	SOCKET CONTACT, 20-24AWG	iR8500/8500P TYPE
J 3 4	VS4 - 0001 - 015		1	CONNECTOR, 15P, MALE	iR8500/8500P TYPE
	VS4 - 0002 - 015		1	CONNECTOR, 15P, FEMALE	
	WS4 - 0217 - 000		15	SOCKET CONTACT, 22-18AWG	
	WS4 - 0219 - 000		15	PIN CONTACT, 18-22AWG	iR8500/8500P TYPE
J 3 5	VS1 - 6372 - 008		1	CONNECTOR, 8P, MALE	iR8500/8500P TYPE
J 3 6	VS1 - 6373 - 008		1	CONNECTOR, 8P, FEMALE	
	WS3 - 5598 - 000		8	PIN CONTACT	iR8500/8500P TYPE
	WS3 - 5680 - 000		8	SOCKET CONTACT, 20-24AWG	
	FH2 - 5821 - 000		1	CONNECTOR, 12P, FEMALE	iR7200/7200P TYPE
	FH2 - 5825 - 000		5	PIN CONTACT, 16-20AWG	iR7200/7200P TYPE
J 3 7	FH2 - 6855 - 000		1	HOUSING	iR7200/7200P TYPE
	FH2 - 6856 - 000		1	HOUSING	iR7200/7200P TYPE
	WS3 - 5264 - 000		5	SOCKET CONTACT	iR7200/7200P TYPE
	VS1 - 6372 - 002		1	CONNECTOR, 2P, MALE	
	VS1 - 6373 - 002		1	CONNECTOR, 2P, FEMALE	
J 4 0	WS3 - 5598 - 000		2	PIN CONTACT	
	WS3 - 5680 - 000		2	SOCKET CONTACT, 20-24AWG	
	VS4 - 0001 - 006		1	CONNECTOR, 6P, MALE	
	VS4 - 0002 - 006		1	CONNECTOR, 6P, FEMALE	
	WS4 - 0217 - 000		6	SOCKET CONTACT, 22-18AWG	
J 4 1	WS4 - 0220 - 000		6	PIN CONTACT, 22-26AWG	
	VS4 - 0001 - 012		1	CONNECTOR, 12P, MALE	
	VS4 - 0002 - 012		1	CONNECTOR, 12P, FEMALE	
	WS4 - 0217 - 000		11	SOCKET CONTACT, 22-18AWG	
	WS4 - 0220 - 000		11	PIN CONTACT, 22-26AWG	

FIGURE & KEY NO.	PART NUMBER	RANK	QTY	DESCRIPTION	SERIAL NUMBER / REMARKS
B - J 4 2	VS1 - 5729 - 002		1	CONNECTOR, 2P, MALE	
	VS3 - 5083 - 002		1	CONNECTOR, 2P, FEMALE	
	WS3 - 5160 - 000		2	SOCKET CONTACT, 18-24AWG	
	WS3 - 5301 - 000		2	PIN CONTACT	
J 4 3	VS1 - 5729 - 002		1	CONNECTOR, 2P, MALE	
J 4 5	VS3 - 5083 - 002		1	CONNECTOR, 2P, FEMALE	
	WS3 - 5160 - 000		2	SOCKET CONTACT, 18-24AWG	
	WS3 - 5301 - 000		2	PIN CONTACT	
	VS4 - 0001 - 004		1	CONNECTOR, 4P, MALE	
J 4 6	VS4 - 0002 - 004		1	CONNECTOR, 4P, FEMALE	
	WS4 - 0218 - 000		3	SOCKET CONTACT, 22-26AWG	
	WS4 - 0219 - 000		3	PIN CONTACT, 18-22AWG	
	VS1 - 5729 - 002		1	CONNECTOR, 2P, MALE	
	VS3 - 5083 - 002		1	CONNECTOR, 2P, FEMALE	
J 4 7	WS3 - 5160 - 000		2	SOCKET CONTACT, 18-24AWG	
	WS3 - 5301 - 000		2	PIN CONTACT	
	NPN			MULTI DOOR INTERLOCK SWITCH	MSW5
	RH2 - 5283 - 000		1	CONNECTOR, 3P, FEMALE	
J 4 8	WS3 - 5419 - 000		2	SOCKET CONTACT, 22-26AWG	
	VS1 - 5057 - 002		1	CONNECTOR, SNAP TIGHT	
J 5 0	VS1 - 5824 - 002		1	CONNECTOR, 2P, FEMALE	
	VS1 - 6321 - 002		1	CONNECTOR, 2P, FEMALE	
	WS3 - 5358 - 000		2	SOCKET CONTACT, 22-26AWG	
	VS1 - 6694 - 030		1	CONNECTOR, 30P, MALE	
	VS1 - 6695 - 030		1	CONNECTOR, 30P, FEMALE	
J 5 5	WS3 - 5680 - 000		28	SOCKET CONTACT, 20-24AWG	
	WS3 - 5719 - 000		28	PIN CONTACT, 20-24AWG	
	VS1 - 6372 - 008		1	CONNECTOR, 8P, MALE	iR8500/8500P TYPE
	VS1 - 6373 - 008		1	CONNECTOR, 8P, FEMALE	iR8500/8500P TYPE
	WS3 - 5598 - 000		8	PIN CONTACT	iR8500/8500P TYPE

FIGURE & KEY NO.	PART NUMBER	RANK	QTY	DESCRIPTION	SERIAL NUMBER / REMARKS
B - J 5 5	WS3 - 5680 - 000		8	SOCKET CONTACT, 20-24AWG	iR8500/8500P TYPE
J 5 6	VS1 - 5729 - 002		1	CONNECTOR, 2P, MALE	iR8500/8500P TYPE
	VS3 - 5083 - 002		1	CONNECTOR, 2P, FEMALE	iR8500/8500P TYPE
	WS3 - 5160 - 000		2	SOCKET CONTACT, 18-24AWG	iR8500/8500P TYPE
	WS3 - 5301 - 000		2	PIN CONTACT	iR8500/8500P TYPE
J 1 0 1	VS1 - 5057 - 003		1	CONNECTOR, SNAP TIGHT	
	VS1 - 6321 - 003		2	CONNECTOR, 3P, FEMALE	
J 1 0 2	NPN			MULTI DOOR OPEN/CLOSE SENSOR	PS56
	VS1 - 6321 - 003		1	CONNECTOR, 3P, FEMALE	
J 1 0 3	NPN			FEED/READ FAN	iR8500/8500P TYPE FM4
	VS1 - 5057 - 003		1	CONNECTOR, SNAP TIGHT	iR8500/8500P TYPE
	VS1 - 6321 - 003		1	CONNECTOR, 3P, FEMALE	iR8500/8500P TYPE
J 1 0 4	VS1 - 5057 - 002		1	CONNECTOR, SNAP TIGHT	
	VS1 - 6321 - 002		2	CONNECTOR, 2P, FEMALE	
J 1 0 5	NPN			PRIMARY CLEANING MOTOR	M8
J 1 0 8	VS1 - 5057 - 002		1	CONNECTOR, SNAP TIGHT	
	VS1 - 6321 - 002		1	CONNECTOR, 2P, FEMALE	
	VS1 - 0842 - 006		1	CONNECTOR, 6P, FEMALE	
	VS1 - 5057 - 006		1	CONNECTOR, SNAP TIGHT	
	VS1 - 5824 - 006		1	CONNECTOR, 6P, FEMALE	
J 1 0 9	WS3 - 5358 - 000		6	SOCKET CONTACT, 22-26AWG	
	NPN			VOLTAGE SENSOR	DP1
	VS3 - 5203 - 005		1	CONNECTOR, 5P, MALE	
	WS3 - 5365 - 000		5	PIN CONTACT, 28-32AWG	
J 1 1 1	VS1 - 5057 - 002		1	CONNECTOR, SNAP TIGHT	
J 1 1 2	VS1 - 6321 - 002		2	CONNECTOR, 2P, FEMALE	
	NPN			FRONT DOOR OPEN/CLOSE SWITCH	MSW7
	RH2 - 5283 - 000		1	CONNECTOR, 3P, FEMALE	
	WS3 - 5419 - 000		2	SOCKET CONTACT, 22-26AWG	
J 1 1 3	NPN			LASER DRIVER COOLING FAN	FM5

FIGURE & KEY NO.	PART NUMBER	RANK	QTY	DESCRIPTION	SERIAL NUMBER / REMARKS
B - J 113	VS1 - 5057 - 003		1	CONNECTOR, SNAP TIGHT	FM2
	VS1 - 6321 - 003		1	CONNECTOR, 3P, FEMALE	
J 114	VS1 - 5057 - 003		1	CONNECTOR, SNAP TIGHT	
	VS1 - 6321 - 003		2	CONNECTOR, 3P, FEMALE	
J 115	NPN		FIXING EXHAUST FAN		
J 116	VS1 - 6321 - 003		1	CONNECTOR, 3P, FEMALE	
	VS1 - 5057 - 004		1	CONNECTOR, SNAP TIGHT	
	VS1 - 6321 - 004		2	CONNECTOR, 4P, FEMALE	
J 118	NPN		DELIVERY FAN 1	FM17	
	VS1 - 5057 - 003		1		
J 119	VS1 - 6321 - 003		1	CONNECTOR, 3P, FEMALE	iR8500/8500P TYPE SIZE1
	NPN			PAPER SIZE SENSOR 1	
	VS1 - 5057 - 003		1	CONNECTOR, SNAP TIGHT	
J 120	VS1 - 6320 - 003		1	CONNECTOR, 3P, FEMALE	iR8500/8500P TYPE
	NPN			PAPER SIZE SENSOR 2	iR8500/8500P TYPE SIZE2
	VS1 - 5057 - 003		1	CONNECTOR, SNAP TIGHT	iR8500/8500P TYPE
J 121	VS1 - 6321 - 003		1	CONNECTOR, 3P, FEMALE	iR8500/8500P TYPE
	VS1 - 6313 - 014		2	CONNECTOR, 14P, FEMALE	
	VS1 - 6314 - 014		2	CONNECTOR, 14P, FEMALE	
	VS1 - 6319 - 028		1	CONNECTOR, SNAP TIGHT	
	VS1 - 5057 - 003		1	CONNECTOR, SNAP TIGHT	
J 122	VT2 - 5161 - 028		2	HOLDER, CONNECTOR, 28P	FM18
	NPN			DELIVERY FAN 2	
	VS1 - 5057 - 003		1	CONNECTOR, SNAP TIGHT	
J 123	VS1 - 6321 - 003		1	CONNECTOR, 3P, FEMALE	FM19
	NPN			DELIVERY FAN 3	
J 124	VS1 - 5057 - 003		1	CONNECTOR, SNAP TIGHT	LED1
	VS1 - 6321 - 003		1	CONNECTOR, 3P, FEMALE	
	VS1 - 6314 - 014		2	CONNECTOR, 14P, FEMALE	
	VS1 - 6318 - 014		1	CONNECTOR, SNAP TIGHT	
J 125	NPN		PRE-CONDITIONING EXPOSURE LED		

FIGURE & KEY NO.	PART NUMBER	R A N K	Q' T Y	DESCRIPTION	SERIAL NUMBER / REMARKS
B - J 1 2 5	VS1 - 5057 - 002		1	CONNECTOR, SNAP TIGHT	
	VS1 - 6321 - 002		1	CONNECTOR, 2P, FEMALE	
J 1 2 8	NPN			PRE-TRANSFER FAN	FM10
	VS1 - 5057 - 003		1	CONNECTOR, SNAP TIGHT	
	VS1 - 6321 - 003		1	CONNECTOR, 3P, FEMALE	
J 1 2 9	NPN			DEVELOPMENT FAN	FM15
	VS1 - 5057 - 003		1	CONNECTOR, SNAP TIGHT	
	VS1 - 6321 - 003		1	CONNECTOR, 3P, FEMALE	
J 1 3 0	VS1 - 5057 - 004		1	CONNECTOR, SNAP TIGHT	
	VS1 - 6321 - 004		2	CONNECTOR, 4P, FEMALE	
J 1 3 1	VS1 - 6314 - 009		2	CONNECTOR, 9P, FEMALE	
	VS1 - 6318 - 009		1	CONNECTOR, SNAP TIGHT	
J 1 3 2	NPN			SCANNER COOLING FAN	FM3
	VS1 - 6321 - 003		1	CONNECTOR, 3P, FEMALE	
J 1 3 3	NPN			PRIMARY CORONA FAN	FM1
J 1 3 4	VS1 - 6321 - 003		1	CONNECTOR, 3P, FEMALE	
	NPN			POLYGON FAN	FM14
	VS1 - 6321 - 003		1	CONNECTOR, 3P, FEMALE	
J 1 3 5	VS1 - 6314 - 006		2	CONNECTOR, 6P, FEMALE	iR8500/8500P TYPE
	VS1 - 6318 - 006		1	CONNECTOR, SNAP TIGHT	iR8500/8500P TYPE
J 1 3 6	NPN			PAPER SIZE SENSOR, 3	iR8500/8500P TYPE SIZE3
	VS1 - 5057 - 003		1	CONNECTOR, SNAP TIGHT	iR8500/8500P TYPE
	VS1 - 6321 - 003		1	CONNECTOR, 3P, FEMALE	iR8500/8500P TYPE
J 1 3 7	NPN			PAPER SIZE SENSOR, 4	iR8500/8500P TYPE SIZE4
	VS1 - 5057 - 003		1	CONNECTOR, SNAP TIGHT	iR8500/8500P TYPE
J 1 3 8	VS1 - 6321 - 003		1	CONNECTOR, 3P, FEMALE	iR8500/8500P TYPE
	VS1 - 6314 - 013		2	CONNECTOR, 13P, FEMALE	
	VS1 - 6318 - 013		1	CONNECTOR, SNAP TIGHT	
J 1 3 9	NPN			BUFFER TONER SENSOR	TS1
	VS1 - 5057 - 003		1	CONNECTOR, SNAP TIGHT	

FIGURE & KEY NO.	PART NUMBER	RANK	QTY	DESCRIPTION	SERIAL NUMBER / REMARKS
B - J 139	VS1 - 6321 - 003		1	CONNECTOR, 3P, FEMALE	
J 140	NPN			BUFFER TONER EMPTINESS SENSOR	TS2
	VS1 - 5057 - 003		1	CONNECTOR, SNAP TIGHT	
	VS1 - 6321 - 003		1	CONNECTOR, 3P, FEMALE	
J 141	NPN			BUFFER CLUTCH	CL1

	VS1 - 5057 - 002		1	CONNECTOR, SNAP TIGHT	
	VS1 - 6321 - 002		1	CONNECTOR, 2P, FEMALE	
J 142	NPN			DEVELOPING TONER SENSOR	TS3
	VS1 - 5057 - 003		1	CONNECTOR, SNAP TIGHT	
	VS1 - 6321 - 003		1	CONNECTOR, 3P, FEMALE	

J 143	NPN			BUFFER MOTOR	M18
	VS1 - 5057 - 002		1	CONNECTOR, SNAP TIGHT	
	VS1 - 6321 - 002		1	CONNECTOR, 2P, FEMALE	
J 144	VS1 - 5057 - 003		1	CONNECTOR, SNAP TIGHT	
	VS1 - 6321 - 003		2	CONNECTOR, 3P, FEMALE	

J 145	NPN			VERTICAL PATH SENSOR 1	PS47
	VS1 - 6321 - 003		1	CONNECTOR, 3P, FEMALE	
J 146	VS1 - 5057 - 004		1	CONNECTOR, SNAP TIGHT	
	VS1 - 6321 - 004		2	CONNECTOR, 4P, FEMALE	
J 147	NPN			RIGHT DOOR UPPER OPEN SENSOR	PS58

	VS1 - 6321 - 003		1	CONNECTOR, 3P, FEMALE	
J 149	NPN			PRE-TRANSFER CLEANING MOTOR	M7
	VS1 - 6321 - 002		1	CONNECTOR, 2P, FEMALE	
J 150	NPN			POST EXPOSURE LED	LED2
	VS1 - 6321 - 002		1	CONNECTOR, 2P, FEMALE	

J 151	VS1 - 5057 - 005		1	CONNECTOR, SNAP TIGHT	
	VS1 - 6321 - 005		2	CONNECTOR, 5P, FEMALE	
J 152	SYS			TO FINISHER	ACCESSORY
	FH2 - 6480 - 000		1	CONNECTOR, FEMALE	
	VS1 - 5452 - 007		1	CONNECTOR, 7P, FEMALE	

FIGURE & KEY NO.	PART NUMBER	RANK	QTY	DESCRIPTION	SERIAL NUMBER / REMARKS
B - J 1 5 5	VS1 - 6314 - 006		2	CONNECTOR, 6P, FEMALE	
	VS1 - 6318 - 006		1	CONNECTOR, SNAP TIGHT	
J 1 5 6	NPN			POWER SUPPLY FAN, 1	FM11
	VS1 - 6321 - 003		1	CONNECTOR, 3P, FEMALE	
J 1 5 7	NPN			POWER SUPPLY FAN, 2	FM12
J 1 5 8	VS1 - 6321 - 003		1	CONNECTOR, 3P, FEMALE	
	VS1 - 6313 - 013		2	CONNECTOR, 13P, FEMALE	iR8500/8500P TYPE
	VS1 - 6314 - 013		2	CONNECTOR, 13P, FEMALE	iR8500/8500P TYPE
	VS1 - 6319 - 026		1	CONNECTOR, SNAP TIGHT	iR8500/8500P TYPE
	VT2 - 5161 - 026		2	HOLDER, CONNECTOR, 26P	iR8500/8500P TYPE
J 1 5 9	NPN			GLASS SENSOR	iR8500/8500P TYPE PS57
	VS1 - 6321 - 003		1	CONNECTOR, 3P, FEMALE	iR8500/8500P TYPE
J 1 6 2	FH2 - 6452 - 000		1	CABLE, FLUORESCENT LAMP	iR8500/8500P TYPE
	FH2 - 6574 - 000		1	CABLE, FLUORESCENT	iR8500/8500P TYPE
J 1 6 3	FH2 - 6452 - 000		1	CABLE, FLUORESCENT LAMP	iR8500/8500P TYPE
J 1 6 4	FH2 - 6453 - 000		1	CABLE, FLUORESCENT LAMP	
	FH2 - 6453 - 000		1	CABLE, FLUORESCENT LAMP	
	VS1 - 6304 - 003		1	CONNECTOR, 3P, MALE	
	WS3 - 5571 - 000		3	PIN CONTACT, 22-28AWG	
J 1 6 5	PCB			EXPOSURE SENSOR	
J 1 6 6	VS1 - 6302 - 005		1	CONNECTOR, 5P, FEMALE	
	WS3 - 5569 - 000		3	SOCKET CONTACT, 22-28AWG	
	NPN			FLUORESCENT LAMP HEATER	H5
J 1 6 7	FH2 - 6453 - 000		1	CABLE, FLUORESCENT LAMP	
J 1 6 7	VS1 - 6313 - 010		2	CONNECTOR, 10P, FEMALE	iR8500/8500P TYPE
J 1 6 8	VS1 - 6314 - 010		2	CONNECTOR, 10P, FEMALE	iR8500/8500P TYPE
	VS1 - 6319 - 020		1	CONNECTOR, SNAP TIGHT	iR8500/8500P TYPE
	VT2 - 5161 - 020		2	HOLDER, CONNECTOR, 20P	iR8500/8500P TYPE
	VS1 - 5057 - 006		1	CONNECTOR, SNAP TIGHT	iR8500/8500P TYPE
	VS1 - 6321 - 006		2	CONNECTOR, 6P, FEMALE	iR8500/8500P TYPE

FIGURE & KEY NO.	PART NUMBER	RANK	QTY	DESCRIPTION	SERIAL NUMBER / REMARKS
B - J 169	NPN			SCANNER HOME POSITION SENSOR	iR8500/8500P TYPE PS1
	VS1 - 6321 - 003		1	CONNECTOR, 3P, FEMALE	iR8500/8500P TYPE
J 170	NPN			DOCUMENT TOP SENSOR	iR8500/8500P TYPE PS3
	VS1 - 6320 - 003		1	CONNECTOR, 3P, FEMALE	iR8500/8500P TYPE
J 171	NPN			INVERTER FAN	iR8500/8500P TYPE FM9

	VS1 - 6321 - 003		1	CONNECTOR, 3P, FEMALE	iR8500/8500P TYPE
J 172	VS1 - 5057 - 007		1	CONNECTOR, SNAP TIGHT	iR8500/8500P TYPE
	VS1 - 6321 - 007		2	CONNECTOR, 7P, FEMALE	iR8500/8500P TYPE
J 173	VS1 - 6314 - 007		2	CONNECTOR, 7P, FEMALE	
	VS1 - 6318 - 007		1	CONNECTOR, SNAP TIGHT	

J 174	NPN			COPYBOARD COVER OPEN SENSOR	iR8500/8500P TYPE PS4
	VS1 - 6321 - 003		1	CONNECTOR, 3P, FEMALE	iR8500/8500P TYPE
J 175	VS1 - 5057 - 003		1	CONNECTOR, SNAP TIGHT	iR8500/8500P TYPE
	VS1 - 6321 - 003		2	CONNECTOR, 3P, FEMALE	iR8500/8500P TYPE
J 177	VS1 - 6314 - 003		2	CONNECTOR, 3P, FEMALE	iR8500/8500P TYPE

J 180	VS1 - 6318 - 003		1	CONNECTOR, SNAP TIGHT	iR8500/8500P TYPE
	VS1 - 6313 - 020		2	CONNECTOR, 20P, FEMALE	
	VS1 - 6314 - 020		2	CONNECTOR, 20P, FEMALE	
	VS1 - 6327 - 040		1	CONNECTOR, 40P, FEMALE	
	VS1 - 6328 - 040		1	CONNECTOR, 40P, FEMALE	

J 182	VT2 - 5161 - 040		2	HOLDER, CONNECTOR, 40P	
	WS3 - 5607 - 000		2	SOCKET CONTACT, 20-24AWG	
	WS3 - 5609 - 000		2	SOCKET CONTACT, 12-14AWG	
J 183	NPN			INTERNAL DELIVERY SENSOR	PS9
	VS1 - 6321 - 003		1	CONNECTOR, 3P, FEMALE	

J 184	NPN			INVERT SENSOR	PS16
	VS1 - 6321 - 003		1	CONNECTOR, 3P, FEMALE	
J 185	NPN			EXTERNAL DELIVERY SENSOR	PS10
	VS1 - 6321 - 003		1	CONNECTOR, 3P, FEMALE	
J 185	NPN			FIXING EXIT SENSOR	PS11

FIGURE & KEY NO.	PART NUMBER	RANK	QTY	DESCRIPTION	SERIAL NUMBER / REMARKS
B - J 1 8 5	VS1 - 6321 - 003		1	CONNECTOR, 3P, FEMALE	
J 1 8 6	NPN			DELIVERY SPEED CHANGE CLUTCH	CL21
	VS1 - 5057 - 002		1	CONNECTOR, SNAP TIGHT	
	VS1 - 6321 - 002		1	CONNECTOR, 2P, FEMALE	
J 1 8 7	VS1 - 6314 - 010		2	CONNECTOR, 10P, FEMALE	
	VS1 - 6318 - 010		1	CONNECTOR, SNAP TIGHT	
J 1 8 8	NPN			CLEANING BELT SENSOR	PS7
	VS1 - 6320 - 003		1	CONNECTOR, 3P, FEMALE	
J 1 8 9	NPN			CLEANING BELT WARNING SENSOR	PS8
	VS1 - 6320 - 003		1	CONNECTOR, 3P, FEMALE	
J 1 9 0	NPN			FIXING MAIN THERMISTOR	TH1
	VS1 - 5057 - 002		1	CONNECTOR, SNAP TIGHT	
	VS1 - 6321 - 002		1	CONNECTOR, 2P, FEMALE	
J 1 9 1	NPN			FIXING SUB THERMISTOR	TH2
	VS1 - 5057 - 003		1	CONNECTOR, SNAP TIGHT	
J 1 9 2	VS1 - 6321 - 003		1	CONNECTOR, 3P, FEMALE	
	VS1 - 6314 - 006		2	CONNECTOR, 6P, FEMALE	
	VS1 - 6318 - 006		1	CONNECTOR, SNAP TIGHT	
J 1 9 4	NPN			CLAW JAM SENSOR	PS6
	VS1 - 6321 - 003		1	CONNECTOR, 3P, FEMALE	
J 1 9 5	NPN			FLAPPER SOLENOID	SL3
	VS1 - 5057 - 002		1	CONNECTOR, SNAP TIGHT	
	VS1 - 6321 - 002		1	CONNECTOR, 2P, FEMALE	
J 1 9 6	NPN			CLEANING BELT SOLENOID	SL2
	VS1 - 5057 - 002		1	CONNECTOR, SNAP TIGHT	
J 1 9 7	VS1 - 6321 - 002		1	CONNECTOR, 2P, FEMALE	
	VS1 - 6313 - 013		2	CONNECTOR, 13P, FEMALE	
	VS1 - 6314 - 013		2	CONNECTOR, 13P, FEMALE	
	VS1 - 6327 - 026		1	CONNECTOR, 26P, FEMALE	
	VS1 - 6328 - 026		1	CONNECTOR, 26P, FEMALE	

FIGURE & KEY NO.	PART NUMBER	RANK	QTY	DESCRIPTION	SERIAL NUMBER / REMARKS
B - J 197	VT2 - 5161 - 026		1	HOLDER, CONNECTOR, 26P	
J 198	VS1 - 5057 - 007		1	CONNECTOR, SNAP TIGHT	
	VS1 - 6321 - 007		2	CONNECTOR, 7P, FEMALE	
J 199	NPN			REGISTRATION SENSOR	PS5
	VS1 - 6321 - 003		1	CONNECTOR, 3P, FEMALE	
J 200	NPN			REGISTRATION CLUTCH	CL2
	VS1 - 5057 - 002		1	CONNECTOR, SNAP TIGHT	
	VS1 - 6321 - 002		1	CONNECTOR, 2P, FEMALE	
J 202	NPN			FEEDER FAN	FM7
	VS1 - 5057 - 003		1	CONNECTOR, SNAP TIGHT	
J 203	VS1 - 6321 - 003		1	CONNECTOR, 3P, FEMALE	
	NPN			SEPARATION FAN	FM13
	VS1 - 5057 - 003		1	CONNECTOR, SNAP TIGHT	
	VS1 - 6321 - 003		1	CONNECTOR, 3P, FEMALE	
J 204	VS1 - 5057 - 004		1	CONNECTOR, SNAP TIGHT	
J 205	VS1 - 6321 - 004		2	CONNECTOR, 4P, FEMALE	
	NPN			UNIT LOCK SOLENOID	SL4
	VS1 - 5057 - 003		1	CONNECTOR, SNAP TIGHT	
	VS1 - 6321 - 003		1	CONNECTOR, 3P, FEMALE	
J 206	NPN			TRANSFER/SEP. CLEANING MOTOR	M9
J 207	VS1 - 6321 - 002		1	CONNECTOR, 2P, FEMALE	
	NPN			REGISTRATION BRAKE CLUTCH	CL3
	VS1 - 5057 - 002		1	CONNECTOR, SNAP TIGHT	
	VS1 - 6321 - 002		1	CONNECTOR, 2P, FEMALE	
J 208	NPN			FIXING/FEEDER LEVER SENSOR	PS28
J 209	VS1 - 6321 - 003		1	CONNECTOR, 3P, FEMALE	
	NPN			CURL FAN	FM6
	VS1 - 5057 - 003		1	CONNECTOR, SNAP TIGHT	
	VS1 - 6321 - 003		1	CONNECTOR, 3P, FEMALE	
J 210	VS1 - 5057 - 003		1	CONNECTOR, SNAP TIGHT	

FIGURE & KEY NO.	PART NUMBER	RANK	QTY	DESCRIPTION	SERIAL NUMBER / REMARKS
B - J 2 1 0	VS1 - 6321 - 003		2	CONNECTOR, 3P, FEMALE	
J 2 1 1	VS1 - 5057 - 006		1	CONNECTOR, SNAP TIGHT	
	VS1 - 6320 - 006		1	CONNECTOR, 6P, FEMALE	
	VS1 - 6321 - 006		1	CONNECTOR, 6P, FEMALE	
J 2 1 3	VS1 - 5057 - 006		1	CONNECTOR, SNAP TIGHT	
	VS1 - 6321 - 006		2	CONNECTOR, 6P, FEMALE	
J 2 1 4	VS1 - 5057 - 006		1	CONNECTOR, SNAP TIGHT	
	VS1 - 6321 - 006		2	CONNECTOR, 6P, FEMALE	
J 2 1 6	VS1 - 6314 - 002		2	CONNECTOR, 2P, FEMALE	
	VS1 - 6318 - 002		1	CONNECTOR, SNAP TIGHT	
J 2 1 7	NPN			DEVELOPEMENT 2 CLUTCH	CL20
	VS1 - 5057 - 002		1	CONNECTOR, SNAP TIGHT	
	VS1 - 6321 - 002		1	CONNECTOR, 2P, FEMALE	
J 2 2 2	VS1 - 5057 - 003		1	CONNECTOR, SNAP TIGHT	
	VS1 - 6321 - 003		2	CONNECTOR, 3P, FEMALE	
J 2 2 3	NPN			MULTI CURL INLET SENSOR	PS35
	VS1 - 6321 - 003		1	CONNECTOR, 3P, FEMALE	
J 2 2 4	VS1 - 5057 - 012		1	CONNECTOR, SNAP TIGHT	
	VS1 - 6321 - 012		2	CONNECTOR, 12P, FEMALE	
J 2 2 5	NPN			MULTI PAPER WIDTH SENSOR	SVR1
	VS1 - 5057 - 003		1	CONNECTOR, SNAP TIGHT	
	VS1 - 6321 - 003		1	CONNECTOR, 3P, FEMALE	
J 2 2 6	NPN			MULTI PAPER SENSOR	PS17
	VS1 - 6321 - 003		1	CONNECTOR, 3P, FEMALE	
J 2 2 7	NPN			MULTI PICK-UP SOLENOID	SL6
	VS1 - 5057 - 003		1	CONNECTOR, SNAP TIGHT	
	VS1 - 6321 - 003		1	CONNECTOR, 3P, FEMALE	
J 2 2 8	SYS			TO 3.5K SIDE PAPER DECK	ACCESSORY
	FH2 - 6480 - 000		1	CONNECTOR, FEMALE	
	VS1 - 5452 - 008		1	CONNECTOR, 8P, FEMALE	

FIGURE & KEY NO.	PART NUMBER	RANK	QTY	DESCRIPTION	SERIAL NUMBER / REMARKS
B - J 2 2 8	WS3 - 5596 - 000		4	PIN CONTACT, 18-24AWG	
J 2 2 9	VS1 - 6313 - 012		2	CONNECTOR, 12P, FEMALE	
	VS1 - 6314 - 012		2	CONNECTOR, 12P, FEMALE	
	VS1 - 6319 - 024		1	CONNECTOR, SNAP TIGHT	
	VT2 - 5161 - 024		2	HOLDER, CONNECTOR, 24P	
J 2 3 0	NPN			RIGHT DECK PICK-UP CLUTCH	CL10
	VS1 - 5057 - 002		1	CONNECTOR, SNAP TIGHT	
	VS1 - 6320 - 002		1	CONNECTOR, 2P, FEMALE	
J 2 3 1	NPN			VERTICAL PATH 1 CLUTCH	CL8
	VS1 - 5057 - 002		1	CONNECTOR, SNAP TIGHT	
J 2 3 2	NPN			RIGHT DECK LIFTER SENSOR	PS21
	VS1 - 6321 - 002		1	CONNECTOR, 2P, FEMALE	
	VS1 - 6321 - 003		1	CONNECTOR, 3P, FEMALE	
J 2 3 3	NPN			RIGHT DECK PAPER SENSOR	PS22
	VS1 - 6321 - 003		1	CONNECTOR, 3P, FEMALE	
J 2 3 4	NPN			RIGHT PICK-UP SOLENOID	SL7
	VS1 - 5057 - 002		1	CONNECTOR, SNAP TIGHT	
	VS1 - 6321 - 002		1	CONNECTOR, 2P, FEMALE	
J 2 3 5	NPN			RIGHT DECK PICK-UP SENSOR	PS20
	VS1 - 6321 - 003		1	CONNECTOR, 3P, FEMALE	
J 2 3 6	NPN			RIGHT DECK OPEN/CLOSE SENSOR	PS23
	VS1 - 6320 - 003		1	CONNECTOR, 3P, FEMALE	
J 2 3 7	NPN			RIGHT DECK LIMIT SENSOR	PS24
	VS1 - 6321 - 003		1	CONNECTOR, 3P, FEMALE	
J 2 3 8	NPN			RIGHT DECK PULL-OUT SENSOR	PS27
J 2 3 9	VS1 - 6321 - 003		1	CONNECTOR, 3P, FEMALE	
	VS1 - 5057 - 007		1	CONNECTOR, SNAP TIGHT	
	VS1 - 6321 - 007		2	CONNECTOR, 7P, FEMALE	
J 2 4 0	SYS			TO ADF	iR8500/8500P TYPE ACCESSORY
	FH2 - 6480 - 000		1	CONNECTOR, FEMALE	iR8500/8500P TYPE

FIGURE & KEY NO.	PART NUMBER	RANK	QTY	DESCRIPTION	SERIAL NUMBER / REMARKS
B - J 2 4 0	VS1 - 5452 - 007		1	CONNECTOR, 7P, FEMALE	iR8500/8500P TYPE
	WS3 - 5596 - 000		3	PIN CONTACT, 18-24AWG	iR8500/8500P TYPE
J 2 4 1	NPN			DRUM INTAKE FAN	FM8
	VS1 - 5057 - 003		1	CONNECTOR, SNAP TIGHT	
	VS1 - 6321 - 003		1	CONNECTOR, 3P, FEMALE	
J 2 4 2	NPN			DEVELOPING SLEEVE CLUTCH	CL4
	VS1 - 5057 - 002		1	CONNECTOR, SNAP TIGHT	
	VS1 - 6321 - 002		1	CONNECTOR, 2P, FEMALE	
J 2 4 3	VS1 - 5057 - 007		1	CONNECTOR, SNAP TIGHT	
	VS1 - 5824 - 007		1	CONNECTOR, 7P, FEMALE	
J 2 4 4	VS1 - 6321 - 007		1	CONNECTOR, 7P, FEMALE	
	WS3 - 5358 - 000		7	SOCKET CONTACT, 22-26AWG	
	NPN			CARTRIDGE DOOR SENSOR	PS59
	VS1 - 5824 - 003		1	CONNECTOR, 3P, FEMALE	
	WS3 - 5358 - 000		3	SOCKET CONTACT, 22-26AWG	
J 2 4 5	VS1 - 5057 - 002		1	CONNECTOR, SNAP TIGHT	
	VS1 - 5824 - 002		2	CONNECTOR, 2P, FEMALE	
	WS3 - 5358 - 000		4	SOCKET CONTACT, 22-26AWG	
J 2 4 6	NPN			CARTRIDGE MOTOR DRIVE SWITCH	MSW8
	RH2 - 5283 - 000		1	CONNECTOR, 3P, FEMALE	
J 2 4 7	WS3 - 5419 - 000		2	SOCKET CONTACT, 22-26AWG	
	NPN			CARTRIDGE MOTOR	M6
	VS1 - 6373 - 002		1	CONNECTOR, 2P, FEMALE	
	WS3 - 5569 - 000		2	SOCKET CONTACT, 22-28AWG	
J 2 4 8	NPN			CARTRIDGE DETECT SWITCH	MSW1
J 2 4 9	VS1 - 6302 - 002		1	CONNECTOR, 2P, FEMALE	
	WS3 - 5569 - 000		2	SOCKET CONTACT, 22-28AWG	
	VS1 - 5057 - 007		1	CONNECTOR, SNAP TIGHT	
	VS1 - 6321 - 007		2	CONNECTOR, 7P, FEMALE	
J 2 5 0	VS1 - 5057 - 007		1	CONNECTOR, SNAP TIGHT	

FIGURE & KEY NO.	PART NUMBER	RANK	QTY	DESCRIPTION	SERIAL NUMBER / REMARKS
B - J 2 5 0	VS1 - 6321 - 007		2	CONNECTOR, 7P, FEMALE	
J 2 5 1	NPN			WASTE TONER CLOGGING SWITCH	MSW2
	VS1 - 5057 - 002		1	CONNECTOR, SNAP TIGHT	
	VS1 - 6321 - 002		1	CONNECTOR, 2P, FEMALE	
J 2 5 2	NPN			MULTI PULL-OUT CLUTCH	CL18
	VS1 - 5057 - 002		1	CONNECTOR, SNAP TIGHT	
J 2 5 3	VS1 - 6321 - 002		1	CONNECTOR, 2P, FEMALE	
	NPN			MULTI PICK-UP CLUTCH	CL7
	VS1 - 5057 - 002		1	CONNECTOR, SNAP TIGHT	
	VS1 - 6321 - 002		1	CONNECTOR, 2P, FEMALE	
J 2 5 4	NPN			FRONT REGIST. BRAKE CLUTCH	CL6
	VS1 - 5057 - 002		1	CONNECTOR, SNAP TIGHT	
	VS1 - 6321 - 002		1	CONNECTOR, 2P, FEMALE	
J 2 5 5	NPN			FRONT REGISTRATION CLUTCH	CL5
	VS1 - 5057 - 002		1	CONNECTOR, SNAP TIGHT	
J 2 5 6	VS1 - 6321 - 002		1	CONNECTOR, 2P, FEMALE	
	NPN			CASSETTE 3 PAPER WIDTH SENSOR	SVR2
	VS1 - 5057 - 003		1	CONNECTOR, SNAP TIGHT	
	VS1 - 6321 - 003		1	CONNECTOR, 3P, FEMALE	
J 2 5 7	NPN			CASSETTE 3 PAPER LENGTH SENSOR	SV1
J 2 5 8	VS1 - 5057 - 004		1	CONNECTOR, SNAP TIGHT	
	VS1 - 6321 - 004		1	CONNECTOR, 4P, FEMALE	
	VS1 - 5057 - 006		1	CONNECTOR, SNAP TIGHT	
	VS1 - 6321 - 006		2	CONNECTOR, 6P, FEMALE	
J 2 5 9	NPN			RIGHT DECK PAPER MIDDLE SENSOR	PS51
J 2 6 0	VS1 - 6321 - 003		1	CONNECTOR, 3P, FEMALE	
	NPN			RIGHT DECK PAPER UPPER SENSOR	PS52
	VS1 - 6321 - 003		1	CONNECTOR, 3P, FEMALE	
J 2 6 1	VS1 - 5057 - 003		1	CONNECTOR, SNAP TIGHT	
	VS1 - 6321 - 003		2	CONNECTOR, 3P, FEMALE	

FIGURE & KEY NO.	PART NUMBER	RANK	QTY	DESCRIPTION	SERIAL NUMBER / REMARKS
B - J 2 6 2	NPN			WASTE TONER FULL SENSOR	PS19
	VS1 - 6321 - 003		1	CONNECTOR, 3P, FEMALE	
J 2 6 3	NPN			RIGHT DECK LIFTER MOTOR	M13
	VS1 - 6321 - 002		1	CONNECTOR, 2P, FEMALE	
J 2 6 4	NPN			VERTICAL PATH 2 CLUTCH	CL9
	VS1 - 5057 - 002		1	CONNECTOR, SNAP TIGHT	
	VS1 - 6321 - 002		1	CONNECTOR, 2P, FEMALE	
J 2 6 5	NPN			CASSETTE 4 PAPER WIDTH SENSOR	SVR3
	VS1 - 5057 - 003		1	CONNECTOR, SNAP TIGHT	
	VS1 - 6321 - 003		1	CONNECTOR, 3P, FEMALE	
J 2 6 6	NPN			CASSETTE 4 PAPER LENGTH SENSOR	SV2
	VS1 - 5057 - 004		1	CONNECTOR, SNAP TIGHT	
	VS1 - 6321 - 004		1	CONNECTOR, 4P, FEMALE	
J 2 6 7	NPN			LEFT DECK LIFTER MOTOR	M14
	VS1 - 6321 - 002		1	CONNECTOR, 2P, FEMALE	
J 2 6 8	VS1 - 5057 - 006		1	CONNECTOR, SNAP TIGHT	
	VS1 - 6321 - 006		2	CONNECTOR, 6P, FEMALE	
J 2 6 9	NPN			LEFT DECK PAPER MIDDLE SENSOR	PS54
	VS1 - 6321 - 003		1	CONNECTOR, 3P, FEMALE	
J 2 7 0	NPN			LEFT DECK PAPER UPPER SENSOR	PS55
	VS1 - 6321 - 003		1	CONNECTOR, 3P, FEMALE	
J 2 7 1	FG6 - 3569 - 000		1	CABLE, BIAS SEPARATION CLAW	
	VS1 - 5729 - 002		1	CONNECTOR, 2P, MALE	
	WS3 - 5301 - 000		1	PIN CONTACT	
J 2 7 2	FG6 - 3568 - 000		1	CABLE, SEPARATION CLAW	
J 2 8 1	FG6 - 3569 - 000		1	CABLE, BIAS SEPARATION CLAW	
	VS1 - 6313 - 011		2	CONNECTOR, 11P, FEMALE	
	VS1 - 6314 - 011		2	CONNECTOR, 11P, FEMALE	
	VS1 - 6319 - 022		1	CONNECTOR, SNAP TIGHT	
	VT2 - 5161 - 022		2	HOLDER, CONNECTOR, 22P	

FIGURE & KEY NO.	PART NUMBER	RANK	QTY	DESCRIPTION	SERIAL NUMBER / REMARKS
B - J 282	NPN			CASSETTE 3 PICK-UP CLUTCH	CL12
	VS1 - 5057 - 002		1	CONNECTOR, SNAP TIGHT	
	VS1 - 6321 - 002		1	CONNECTOR, 2P, FEMALE	
J 283	NPN			CASSETTE 3 VERT. PATH CLUTCH	CL13
	VS1 - 5057 - 002		1	CONNECTOR, SNAP TIGHT	
J 284	VS1 - 6320 - 002		1	CONNECTOR, 2P, FEMALE	PS38
	NPN			CASSETTE 3 LIFTER SENSOR	
	VS1 - 6321 - 003		1	CONNECTOR, 3P, FEMALE	
J 285	NPN			CASSETTE 3 PAPER DETECT SENSOR	PS39
	VS1 - 6321 - 003		1	CONNECTOR, 3P, FEMALE	
J 286	NPN			CASSETTE 3 PICK-UP SENSOR	PS37
	VS1 - 6321 - 003		1	CONNECTOR, 3P, FEMALE	
J 287	NPN			CASSETTE 3 OPEN/CLOSE SENSOR	PS40
	VS1 - 6320 - 003		1	CONNECTOR, 3P, FEMALE	
J 288	NPN			CASSETTE 3 VERT. PATH SENSOR	PS41
J 289	VS1 - 6321 - 003		1	CONNECTOR, 3P, FEMALE	SL9
	NPN			CASSETTE 3 PICK-UP SOLENOID	
	VS1 - 5057 - 002		1	CONNECTOR, SNAP TIGHT	
J 290	VS1 - 6321 - 002		1	CONNECTOR, 2P, FEMALE	
	VS1 - 6313 - 011		2	CONNECTOR, 11P, FEMALE	
J 291	VS1 - 6314 - 011		2	CONNECTOR, 11P, FEMALE	
	VT2 - 5161 - 022		2	HOLDER, CONNECTOR, 22P	
	VS1 - 5057 - 004		1	CONNECTOR, SNAP TIGHT	
	VS1 - 6321 - 004		2	CONNECTOR, 4P, FEMALE	
J 292	NPN			RIGHT DOOR LOWER OPEN SENSOR	PS48
J 293	VS1 - 6321 - 003		1	CONNECTOR, 3P, FEMALE	M16
	NPN			CASSETTE 3 LIFTER MOTOR	
	VS1 - 5057 - 002		1	CONNECTOR, SNAP TIGHT	
J 294	VS1 - 6321 - 002		1	CONNECTOR, 2P, FEMALE	
	VS1 - 5057 - 003		1	CONNECTOR, SNAP TIGHT	

FIGURE & KEY NO.	PART NUMBER	RANK	QTY	DESCRIPTION	SERIAL NUMBER / REMARKS
B - J 2 9 4	VS1 - 6321 - 003		2	CONNECTOR, 3P, FEMALE	
J 2 9 5	PCB			CASSETTE 3 PAPER DETECT	
	VS1 - 6321 - 003		1	CONNECTOR, 3P, FEMALE	
J 2 9 6	PCB			CASSETTE 4 PAPER DETECT	
	VS1 - 6321 - 003		1	CONNECTOR, 3P, FEMALE	
J 3 0 1	NPN			CASSETTE 4 LIFTER MOTOR	M17
	VS1 - 5057 - 002		1	CONNECTOR, SNAP TIGHT	
	VS1 - 6321 - 002		1	CONNECTOR, 2P, FEMALE	
J 3 0 2	PCB			HUMIDITY SENSOR	
	VS1 - 6321 - 005		1	CONNECTOR, 5P, FEMALE	
J 3 0 3	VS1 - 5057 - 003		1	CONNECTOR, SNAP TIGHT	
	VS1 - 6321 - 003		2	CONNECTOR, 3P, FEMALE	
J 3 0 4	NPN			VERTICAL PATH 2 SENSOR	PS49
	VS1 - 6321 - 003		1	CONNECTOR, 3P, FEMALE	
J 3 0 5	VS1 - 6313 - 011		2	CONNECTOR, 11P, FEMALE	
	VS1 - 6314 - 011		2	CONNECTOR, 11P, FEMALE	
	VS1 - 6319 - 022		1	CONNECTOR, SNAP TIGHT	
	VT2 - 5161 - 022		2	HOLDER, CONNECTOR, 22P	
J 3 0 6	NPN			CASSETTE 4 PICK-UP CLUTCH	CL14
	VS1 - 5057 - 002		1	CONNECTOR, SNAP TIGHT	
J 3 0 7	VS1 - 6321 - 002		1	CONNECTOR, 2P, FEMALE	
	NPN			CASSETTE 4 VERT. PATH CLUTCH	CL15
	VS1 - 5057 - 002		1	CONNECTOR, SNAP TIGHT	
	VS1 - 6320 - 002		1	CONNECTOR, 2P, FEMALE	
J 3 0 8	NPN			CASSETTE 4 LIFTER MOTOR	PS43
J 3 0 9	VS1 - 6321 - 003		1	CONNECTOR, 3P, FEMALE	
	NPN			CASSETTE 4 PAPER SENSOR	PS44
	VS1 - 6321 - 003		1	CONNECTOR, 3P, FEMALE	
J 3 1 0	NPN			CASSETTE 4 PICK-UP SENSOR	PS42
	VS1 - 6321 - 003		1	CONNECTOR, 3P, FEMALE	

FIGURE & KEY NO.	PART NUMBER	RANK	QTY	DESCRIPTION	SERIAL NUMBER / REMARKS
B - J 3 1 1	NPN			CASSETTE 4 OPEN/CLOSE SENSOR	PS45
	VS1 - 6321 - 003		1	CONNECTOR, 3P, FEMALE	
J 3 1 2	NPN			CASSETTE 4 VERT. PATH SENSOR	PS46
	VS1 - 6321 - 003		1	CONNECTOR, 3P, FEMALE	
J 3 1 3	NPN			CASSETTE 4 PICK-UP SOLENOID	SL10
	VS1 - 5057 - 002		1	CONNECTOR, SNAP TIGHT	
	VS1 - 6321 - 002		1	CONNECTOR, 2P, FEMALE	
J 3 1 4	VS1 - 6313 - 010		2	CONNECTOR, 10P, FEMALE	
	VS1 - 6314 - 010		2	CONNECTOR, 10P, FEMALE	
	VS1 - 6319 - 020		1	CONNECTOR, SNAP TIGHT	
J 3 1 5	VT2 - 5161 - 020		2	HOLDER, CONNECTOR, 20P	
	NPN			LEFT DECK LIFTER SENSOR	PS31
	VS1 - 6321 - 003		1	CONNECTOR, 3P, FEMALE	
J 3 1 6	NPN			LEFT DECK PAPER SENSOR	PS32
	VS1 - 6321 - 003		1	CONNECTOR, 3P, FEMALE	
J 3 1 7	NPN			LEFT DECK PICK-UP SENSOR	PS25
	VS1 - 6321 - 003		1	CONNECTOR, 3P, FEMALE	
J 3 1 8	NPN			LEFT DECK OPEN/CLOSE SENSOR	PS33
	VS1 - 6320 - 003		1	CONNECTOR, 3P, FEMALE	
J 3 1 9	NPN			LEFT DECK LIMIT SENSOR	PS34
J 3 2 0	VS1 - 6321 - 003		1	CONNECTOR, 3P, FEMALE	
	NPN			LEFT DECK PICK-UP CLUTCH	CL11
	VS1 - 5057 - 002		1	CONNECTOR, SNAP TIGHT	
	VS1 - 6321 - 002		1	CONNECTOR, 2P, FEMALE	
J 3 2 1	NPN			LEFT DECK PICK-UP SOLENOID	SL8
J 3 2 2	VS1 - 5057 - 002		1	CONNECTOR, SNAP TIGHT	
	VS1 - 6321 - 002		1	CONNECTOR, 2P, FEMALE	
	FG6 - 7209 - 000		1	CABLE, DUPLEXING FEEDER	
	VS1 - 6313 - 012		1	CONNECTOR, 12P, FEMALE	
	VS1 - 6314 - 012		1	CONNECTOR, 12P, FEMALE	

FIGURE & KEY NO.	PART NUMBER	RANK	QTY	DESCRIPTION	SERIAL NUMBER / REMARKS
B - J 3 2 2	VS1 - 6328 - 024		1	CONNECTOR, 24P, FEMALE	
	VT2 - 5161 - 024		1	HOLDER, CONNECTOR, 24P	
	WS3 - 5607 - 000		4	SOCKET CONTACT, 20-24AWG	
J 3 2 3	FG6 - 7209 - 000		1	CABLE, DUPLEXING FEEDER	
	VS1 - 6313 - 012		1	CONNECTOR, 12P, FEMALE	
J 3 2 4	VS1 - 6318 - 012		1	CONNECTOR, SNAP TIGHT	
	NPN			DUPLEXING FEED MOTOR	M12
	VS1 - 5057 - 006		1	CONNECTOR, SNAP TIGHT	
J 3 2 5	VS1 - 6320 - 006		1	CONNECTOR, 6P, FEMALE	
	NPN			DUPLEXING INVERT MOTOR	M11
J 3 2 6	VS1 - 5057 - 007		1	CONNECTOR, SNAP TIGHT	
	VS1 - 6320 - 007		1	CONNECTOR, 7P, FEMALE	
	FG6 - 7209 - 000		1	CABLE, DUPLEXING FEEDER	
	VS1 - 6314 - 003		1	CONNECTOR, 3P, FEMALE	
	VS1 - 6318 - 003		1	CONNECTOR, SNAP TIGHT	
J 3 2 7	NPN			FRONT JOINT SENSOR	PS14
	VS1 - 6321 - 003		1	CONNECTOR, 3P, FEMALE	
J 3 2 8	NPN			LEFT DECK PULL SENSOR	PS26
	VS1 - 6321 - 003		1	CONNECTOR, 3P, FEMALE	
J 3 2 9	NPN			SIDE REGISTRATION MOTOR	M15
J 3 3 0	FG6 - 7209 - 000		1	CABLE, DUPLEXING FEEDER	
	FG6 - 7209 - 000		1	CABLE, DUPLEXING FEEDER	
	VS1 - 5057 - 009		1	CONNECTOR, SNAP TIGHT	
	VS1 - 6321 - 009		1	CONNECTOR, 9P, FEMALE	
J 3 3 1	NPN			LOWER FEED RIGHT CLUTCH	CL17
J 3 3 2	VS1 - 5057 - 002		1	CONNECTOR, SNAP TIGHT	
	VS1 - 6321 - 002		1	CONNECTOR, 2P, FEMALE	
	NPN			LOWER FEED CENTER CLUTCH	CL16
	VS1 - 5057 - 002		1	CONNECTOR, SNAP TIGHT	
	VS1 - 6321 - 002		1	CONNECTOR, 2P, FEMALE	

FIGURE & KEY NO.	PART NUMBER	RANK	QTY	DESCRIPTION	SERIAL NUMBER / REMARKS
B - J 3 3 3	NPN			LEFT DECK PULL CLUTCH	CL19
	VS1 - 5057 - 002		1	CONNECTOR, SNAP TIGHT	
	VS1 - 6321 - 002		1	CONNECTOR, 2P, FEMALE	
J 3 3 4	VS1 - 5057 - 003		1	CONNECTOR, SNAP TIGHT	
	VS1 - 5824 - 003		1	CONNECTOR, 3P, FEMALE	
	VS1 - 6321 - 003		1	CONNECTOR, 3P, FEMALE	
	WS3 - 5358 - 000		3	SOCKET CONTACT, 22-26AWG	
J 3 3 5	NPN			SIDE REGISTRATION SENSOR	PS18
	VS1 - 0279 - 003		1	CONNECTOR, 3P, FEMALE	
	WS3 - 0469 - 000		3	SOCKET CONTACT, 26-30AWG	
J 3 3 6	FG6 - 7209 - 000		1	CABLE, DUPLEXING FEEDER	
	VS1 - 5057 - 003		1	CONNECTOR, SNAP TIGHT	
	VS1 - 6321 - 003		1	CONNECTOR, 3P, FEMALE	
J 3 3 7	NPN			AFTER JOINT SENSOR	PS15
	VS1 - 6321 - 003		1	CONNECTOR, 3P, FEMALE	
J 3 3 8	VS1 - 5057 - 003		1	CONNECTOR, SNAP TIGHT	
	VS1 - 6321 - 003		2	CONNECTOR, 3P, FEMALE	
J 3 3 9	NPN			U-TURN SENSOR	PS13
	VS1 - 6321 - 003		1	CONNECTOR, 3P, FEMALE	
J 3 4 0	VS1 - 5057 - 003		1	CONNECTOR, SNAP TIGHT	
	VS1 - 6321 - 003		2	CONNECTOR, 3P, FEMALE	
J 3 4 1	NPN			DUPLEXING INVERT SENSOR	PS12
	VS1 - 6321 - 003		1	CONNECTOR, 3P, FEMALE	
J 3 4 2	VS1 - 5057 - 003		1	CONNECTOR, SNAP TIGHT	
	VS1 - 6321 - 003		2	CONNECTOR, 3P, FEMALE	
J 3 4 3	VS1 - 6314 - 004		2	CONNECTOR, 4P, FEMALE	
	VS1 - 6318 - 004		1	CONNECTOR, SNAP TIGHT	
J 3 4 4	SYS			FOR RS-232C	
	VS1 - 6314 - 008		1	CONNECTOR, 8P, FEMALE	
	VS1 - 6318 - 008		1	CONNECTOR, SNAP TIGHT	

FIGURE & KEY NO.	PART NUMBER	RANK	QTY	DESCRIPTION	SERIAL NUMBER / REMARKS
B - J 3 4 6	VS1 - 6314 - 003		2	CONNECTOR, 3P, FEMALE	iR8500/8500P TYPE
	VS1 - 6318 - 003		1	CONNECTOR, SNAP TIGHT	iR8500/8500P TYPE
J 3 4 7	VS1 - 6314 - 003		2	CONNECTOR, 3P, FEMALE	iR8500/8500P TYPE
	VS1 - 6318 - 003		1	CONNECTOR, SNAP TIGHT	iR8500/8500P TYPE
J 3 4 8	NPN			SCANNER MOTOR COOLING FAN	FM20

J 3 6 2	VS1 - 5057 - 004		1	CONNECTOR, SNAP TIGHT	iR8500/8500P TYPE
	VS1 - 6321 - 004		1	CONNECTOR, 4P, FEMALE	
	VS1 - 5057 - 002		1	CONNECTOR, SNAP TIGHT	
	VS1 - 6321 - 002		2	CONNECTOR, 2P, FEMALE	
J 3 6 3	VS1 - 5057 - 003		1	CONNECTOR, SNAP TIGHT	

J 3 6 4	VS1 - 6321 - 003		2	CONNECTOR, 3P, FEMALE	
	VS1 - 5057 - 003		1	CONNECTOR, SNAP TIGHT	
	VS1 - 6321 - 003		2	CONNECTOR, 3P, FEMALE	
J 3 6 5	VS1 - 5057 - 002		1	CONNECTOR, SNAP TIGHT	
	VS1 - 6321 - 002		2	CONNECTOR, 2P, FEMALE	

J 3 6 6	FG6 - 7209 - 000		1	CABLE, DUPLEXING FEEDER	
	VS1 - 6314 - 004		1	CONNECTOR, 4P, FEMALE	
	VS1 - 6318 - 004		1	CONNECTOR, SNAP TIGHT	
J 4 0 1	VS1 - 6314 - 004		2	CONNECTOR, 4P, FEMALE	
	VS1 - 6318 - 004		1	CONNECTOR, SNAP TIGHT	

J 4 0 2	VS1 - 6314 - 009		2	CONNECTOR, 9P, FEMALE	
	VS1 - 6318 - 009		1	CONNECTOR, SNAP TIGHT	
J 4 0 3	SYS			FOR RS-232C	
	VS1 - 6314 - 013		1	CONNECTOR, 13P, FEMALE	
	VS1 - 6318 - 013		1	CONNECTOR, SNAP TIGHT	

J 4 0 4	VS1 - 6314 - 011		2	CONNECTOR, 11P, FEMALE	
	VS1 - 6318 - 011		1	CONNECTOR, SNAP TIGHT	
J 4 0 5	VS1 - 6313 - 018		2	CONNECTOR, 18P, FEMALE	
	VS1 - 6314 - 018		2	CONNECTOR, 18P, FEMALE	
	VS1 - 6319 - 036		1	CONNECTOR, 36P, MALE	

FIGURE & KEY NO.	PART NUMBER	RANK	QTY	DESCRIPTION	SERIAL NUMBER / REMARKS
B - J 4 0 5	VT2 - 5161 - 036		2	HOLDER, CONNECTOR, 36P	
J 4 0 7	VS1 - 6313 - 017		2	CONNECTOR, 17P, FEMALE	
	VS1 - 6314 - 017		2	CONNECTOR, 17P, FEMALE	
	VS1 - 6319 - 034		1	CONNECTOR, 34P, MALE	
	VT2 - 5161 - 034		2	HOLDER, CONNECTOR, 34P	
J 4 0 8	VS1 - 6314 - 005		2	CONNECTOR, 5P, FEMALE	
	VS1 - 6318 - 005		1	CONNECTOR, SNAP TIGHT	
J 4 0 9	SYS			TO CARD READER	ACCESSORY
	VS1 - 6314 - 005		1	CONNECTOR, 5P, FEMALE	
J 4 1 1	SYS			TO COIN ROBO	ACCESSORY
J 4 1 2	VS1 - 6321 - 004		1	CONNECTOR, 4P, FEMALE	
	SYS			TO COIN ROBO	
	VS1 - 0280 - 004		1	CONNECTOR, 4P, MALE	
	WS3 - 5016 - 000		4	PIN CONTACT, 30-26AWG	
J 5 0 1	PCB			DC CONTROLLER	
J 5 0 2	VS3 - 5083 - 006		1	CONNECTOR, 6P, FEMALE	
	WS3 - 5160 - 000		6	SOCKET CONTACT, 18-24AWG	
	PCB			DC CONTROLLER	
	VS1 - 6313 - 015		1	CONNECTOR, 15P, FEMALE	
	VS1 - 6314 - 015		1	CONNECTOR, 15P, FEMALE	
J 5 0 3	VT2 - 5161 - 030		1	HOLDER, CONNECTOR, 30P	
	PCB			DC CONTROLLER	
	VS1 - 6313 - 010		1	CONNECTOR, 10P, FEMALE	
	VS1 - 6314 - 010		1	CONNECTOR, 10P, FEMALE	
	VT2 - 5161 - 020		1	HOLDER, CONNECTOR, 20P	
J 5 0 4	PCB			DC CONTROLLER	
	VS1 - 6314 - 014		1	CONNECTOR, 14P, FEMALE	
	VT2 - 5161 - 028		1	HOLDER, CONNECTOR, 28P	
J 5 0 5	PCB			DC CONTROLLER	
	VS1 - 6313 - 017		1	CONNECTOR, 17P, FEMALE	

FIGURE & KEY NO.	PART NUMBER	RANK	QTY	DESCRIPTION	SERIAL NUMBER / REMARKS
B - J 5 0 5	VS1 - 6314 - 017		1	CONNECTOR, 17P, FEMALE	
	VT2 - 5161 - 034		1	HOLDER, CONNECTOR, 34P	
J 5 0 6	PCB			DC CONTROLLER	
	VS1 - 6313 - 014		1	CONNECTOR, 14P, FEMALE	
	VS1 - 6314 - 014		1	CONNECTOR, 14P, FEMALE	
J 5 0 7	VT2 - 5161 - 028		1	HOLDER, CONNECTOR, 28P	
	PCB			DC CONTROLLER	
	VS1 - 6313 - 008		1	CONNECTOR, 8P, FEMALE	
	VS1 - 6314 - 008		1	CONNECTOR, 8P, FEMALE	
J 5 0 8	VT2 - 5161 - 016		1	HOLDER, CONNECTOR, 16P	
	PCB			DC CONTROLLER	
	VS1 - 6313 - 020		1	CONNECTOR, 20P, FEMALE	
	VS1 - 6314 - 020		1	CONNECTOR, 20P, FEMALE	
J 5 0 9	VT2 - 5161 - 040		1	HOLDER, CONNECTOR, 40P	
	PCB			DC CONTROLLER	
J 5 1 0	VS1 - 6313 - 013		1	CONNECTOR, 13P, FEMALE	
	VS1 - 6314 - 013		1	CONNECTOR, 13P, FEMALE	
	VT2 - 5161 - 026		1	HOLDER, CONNECTOR, 26P	
	PCB			DC CONTROLLER	
J 5 1 1	VS1 - 6313 - 016		1	CONNECTOR, 16P, FEMALE	
	VS1 - 6314 - 016		1	CONNECTOR, 16P, FEMALE	
	VT2 - 5161 - 032		1	HOLDER, CONNECTOR, 32P	
	PCB			DC CONTROLLER	
	VS1 - 6313 - 012		1	CONNECTOR, 12P, FEMALE	
J 5 1 2	VS1 - 6314 - 012		1	CONNECTOR, 12P, FEMALE	
	VT2 - 5161 - 024		1	HOLDER, CONNECTOR, 24P	
	PCB			DC CONTROLLER	
	VS1 - 6313 - 014		1	CONNECTOR, 14P, FEMALE	
	VS1 - 6314 - 014		1	CONNECTOR, 14P, FEMALE	
J 5 1 2	VT2 - 5161 - 028		1	HOLDER, CONNECTOR, 28P	
	VT2 - 5161 - 028		1	HOLDER, CONNECTOR, 28P	

FIGURE & KEY NO.	PART NUMBER	RANK	QTY	DESCRIPTION	SERIAL NUMBER / REMARKS
B - J 513	PCB			DC CONTROLLER	
	VS1 - 6313 - 013		1	CONNECTOR, 13P, FEMALE	
	VS1 - 6314 - 013		1	CONNECTOR, 13P, FEMALE	
	VT2 - 5161 - 026		1	HOLDER, CONNECTOR, 26P	
J 514	PCB			DC CONTROLLER	
J 515	VS1 - 6313 - 014		1	CONNECTOR, 14P, FEMALE	
	VS1 - 6314 - 014		1	CONNECTOR, 14P, FEMALE	
	VT2 - 5161 - 028		1	HOLDER, CONNECTOR, 28P	
	PCB			DC CONTROLLER	
J 516	VS1 - 6313 - 011		1	CONNECTOR, 11P, FEMALE	
	VT2 - 5161 - 022		1	HOLDER, CONNECTOR, 22P	
	PCB			DC CONTROLLER	
	VS1 - 6313 - 012		1	CONNECTOR, 12P, FEMALE	
J 517	VS1 - 6314 - 012		1	CONNECTOR, 12P, FEMALE	
	VT2 - 5161 - 024		1	HOLDER, CONNECTOR, 24P	
	PCB			DC CONTROLLER	
	VS1 - 6313 - 011		1	CONNECTOR, 11P, FEMALE	
J 518	VS1 - 6314 - 011		1	CONNECTOR, 11P, FEMALE	
	VT2 - 5161 - 022		1	HOLDER, CONNECTOR, 22P	
	PCB			DC CONTROLLER	
	VS1 - 6313 - 010		1	CONNECTOR, 10P, FEMALE	
J 519	VS1 - 6314 - 010		1	CONNECTOR, 10P, FEMALE	
	VT2 - 5161 - 020		1	HOLDER, CONNECTOR, 20P	
	PCB			DC CONTROLLER	
	VS1 - 6313 - 012		1	CONNECTOR, 12P, FEMALE	
J 523	VS1 - 6314 - 012		1	CONNECTOR, 12P, FEMALE	
	VT2 - 5161 - 024		1	HOLDER, CONNECTOR, 24P	
	PCB			DC CONTROLLER	
	VS1 - 6314 - 004		1	CONNECTOR, 4P, FEMALE	

FIGURE & KEY NO.	PART NUMBER	RANK	QTY	DESCRIPTION	SERIAL NUMBER / REMARKS
B - J 5 2 6	PCB			DC CONTROLLER	
	VS1 - 6314 - 007		1	CONNECTOR, 7P, FEMALE	
J 6 0 1	NPN			DRUM MOTOR	M0
	VS3 - 5083 - 002		1	CONNECTOR, 2P, FEMALE	
	WS3 - 5160 - 000		2	SOCKET CONTACT, 18-24AWG	
J 6 0 2	NPN			DRUM MOTOR	
	VS1 - 6321 - 005		1	CONNECTOR, 5P, FEMALE	
J 6 1 1	NPN			MAIN MOTOR	M1
	VS3 - 5083 - 002		1	CONNECTOR, 2P, FEMALE	
	WS3 - 5160 - 000		2	SOCKET CONTACT, 18-24AWG	
J 6 1 2	NPN			MAIN MOTOR	M1
	VS1 - 6321 - 005		1	CONNECTOR, 5P, FEMALE	
J 6 2 1	NPN			PAPER PICK-UP MOTOR	M2
	VS3 - 5083 - 002		1	CONNECTOR, 2P, FEMALE	
	WS3 - 5160 - 000		2	SOCKET CONTACT, 18-24AWG	
J 6 2 2	NPN			PAPER PICK-UP MOTOR	
	VS1 - 6321 - 005		1	CONNECTOR, 5P, FEMALE	
J 6 5 1	NPN			FIXING DRIVE MOTOR	M10
	VS3 - 5083 - 002		1	CONNECTOR, 2P, FEMALE	
	WS3 - 5160 - 000		2	SOCKET CONTACT, 18-24AWG	
J 6 5 2	NPN			FIXING DRIVE MOTOR	M10
	VS1 - 6321 - 006		1	CONNECTOR, 6P, FEMALE	
J 7 0 1	PCB			MACHINE POWER SUPPLY	
	VS3 - 5083 - 007		1	CONNECTOR, 7P, FEMALE	
	WS3 - 5160 - 000		4	SOCKET CONTACT, 18-24AWG	
J 7 2 1	PCB			HIGH VOLTAGE DC TRANSFORMER	
	VS1 - 6302 - 004		1	CONNECTOR, 4P, FEMALE	
	WS3 - 5569 - 000		4	SOCKET CONTACT, 22-28AWG	
J 7 2 2	PCB			HIGH VOLTAGE DC TRANSFORMER	
	VS1 - 6302 - 005		1	CONNECTOR, 5P, FEMALE	

FIGURE & KEY NO.	PART NUMBER	RANK	QTY	DESCRIPTION	SERIAL NUMBER / REMARKS
B - J 7 2 2	WS3 - 5569 - 000		5	SOCKET CONTACT, 22-28AWG	
J 7 2 3	PCB			HIGH VOLTAGE DC TRANSFORMER	
	VS1 - 6314 - 016		1	CONNECTOR, 16P, FEMALE	
J 7 3 1	PCB			HIGH VOLTAGE DC TRANSFORMER	
	FH2 - 9231 - 000		1	JOINT CONNECTOR UNIT	
J 7 3 2	PCB			HIGH VOLTAGE DC TRANSFORMER	
	FH2 - 9231 - 000		1	JOINT CONNECTOR UNIT	
J 7 3 3	PCB			HIGH VOLTAGE DC TRANSFORMER	
	FH2 - 9231 - 000		1	JOINT CONNECTOR UNIT	
J 7 3 4	PCB			HIGH VOLTAGE DC TRANSFORMER	
J 7 3 7	NPN			AC TRANSFORMER	
	PCB			HIGH VOLTAGE DC TRANSFORMER	
	VS3 - 5083 - 002		1	CONNECTOR, 2P, FEMALE	
	WS3 - 5160 - 000		1	SOCKET CONTACT, 18-24AWG	
J 7 4 1	PCB			HIGH VOLTAGE AC TRANSFORMER	
J 7 4 2	VS1 - 6302 - 005		1	CONNECTOR, 5P, FEMALE	
	WS3 - 5569 - 000		5	SOCKET CONTACT, 22-28AWG	
	PCB			HIGH VOLTAGE AC TRANSFORMER	
	NPN			AC TRANSFORMER	
J 7 5 5	FH2 - 5821 - 000		1	CONNECTOR, 12P, FEMALE	iR7200/7200P TYPE
J 7 6 1	FH2 - 5825 - 000		5	PIN CONTACT, 16-20AWG	iR7200/7200P TYPE
	FH2 - 6855 - 000		1	HOUSING	iR7200/7200P TYPE
	FH2 - 6856 - 000		1	HOUSING	iR7200/7200P TYPE
	WS3 - 5264 - 000		5	SOCKET CONTACT	iR7200/7200P TYPE
	PCB			POLYGON MOTOR DRIVER	
J 7 6 2	VS3 - 5083 - 003		1	CONNECTOR, 3P, FEMALE	
	WS3 - 5160 - 000		2	SOCKET CONTACT, 18-24AWG	
	PCB			POLYGON MOTOR DRIVER	
	VS1 - 6321 - 004		1	CONNECTOR, 4P, FEMALE	
J 7 6 3	PCB			POLYGON MOTOR DRIVER	

FIGURE & KEY NO.	PART NUMBER	RANK	QTY	DESCRIPTION	SERIAL NUMBER / REMARKS		
B - J 7 6 3	VS1 - 6302 - 011		1	CONNECTOR, 11P, FEMALE	M4		
	WS3 - 5569 - 000		11	SOCKET CONTACT, 22-28AWG			
	J 7 6 4	NPN				POLYGON MOTOR	
		VS3 - 0315 - 011		1		CONNECTOR, 11P, FEMALE	
	WS3 - 1091 - 000		11	SOCKET CONTACT			
J 7 8 1	PCB			EVERYNIGHT POWER			
	VS1 - 6380 - 003		1	CONNECTOR, 3P, MALE			
	WS3 - 5292 - 000		2	SOCKET CONTACT			
J 7 8 2	PCB			EVERYNIGHT POWER			
	VS3 - 5083 - 006		1	CONNECTOR, 6P, FEMALE			
J 7 8 3	WS3 - 5160 - 000		4	SOCKET CONTACT, 18-24AWG			
	PCB			EVERYNIGHT POWER			
	VS1 - 6302 - 006		1	CONNECTOR, 6P, FEMALE			
	WS3 - 5680 - 000		6	SOCKET CONTACT, 20-24AWG			
J 7 8 4	PCB			EVERYNIGHT POWER			
J 7 8 5	VS1 - 6321 - 003		1	CONNECTOR, 3P, FEMALE			
	PCB			EVERYNIGHT POWER			
	VS1 - 6321 - 004		1	CONNECTOR, 4P, FEMALE			
J 7 9 1	PCB			AC DRIVER			
	VS1 - 6302 - 004		1	CONNECTOR, 4P, FEMALE			
J 7 9 2	WS3 - 5569 - 000		4	SOCKET CONTACT, 22-28AWG		iR8500/8500P TYPE	
	PCB			AC DRIVER SUB			
	VS1 - 6321 - 012		1	CONNECTOR, 12P, FEMALE			
J 8 0 1	PCB			SCANNER MOTOR DRIVER			
	VS3 - 5083 - 007		1	CONNECTOR, 7P, FEMALE			
J 8 0 2	WS3 - 5160 - 000		7	SOCKET CONTACT, 18-24AWG			iR8500/8500P TYPE
	PCB			SCANNER MOTOR DRIVER			iR8500/8500P TYPE
	VS1 - 6321 - 012		1	CONNECTOR, 12P, FEMALE	iR8500/8500P TYPE		
J 8 0 3	PCB			SCANNER MOTOR DRIVER	iR8500/8500P TYPE		
	NPN			SCANNER MOTOR	iR8500/8500P TYPE M5		

FIGURE & KEY NO.	PART NUMBER	RANK	QTY	DESCRIPTION	SERIAL NUMBER / REMARKS
B - J 804	PCB			SCANNER MOTOR DRIVER	iR8500/8500P TYPE
	VS1 - 6321 - 003		1	CONNECTOR, 3P, FEMALE	iR8500/8500P TYPE
	J 851	PCB		EXPOSURE CONTROLLER	iR8500/8500P TYPE
J 851	VS3 - 5083 - 004		1	CONNECTOR, 4P, FEMALE	iR8500/8500P TYPE
	WS3 - 5160 - 000		4	SOCKET CONTACT, 18-24AWG	iR8500/8500P TYPE
	J 852	PCB		EXPOSURE CONTROLLER	iR8500/8500P TYPE
J 852	FH2 - 6574 - 000		1	CABLE, FLUORESCENT	iR8500/8500P TYPE
	J 853	PCB		EXPOSURE CONTROLLER	iR8500/8500P TYPE
J 853	VS1 - 6321 - 005		1	CONNECTOR, 5P, FEMALE	iR8500/8500P TYPE
	J 943	PCB		INVERTER POWER	iR8500/8500P TYPE
J 1001	VS3 - 5083 - 004		1	CONNECTOR, 4P, FEMALE	iR8500/8500P TYPE
	WS3 - 5160 - 000		4	SOCKET CONTACT, 18-24AWG	iR8500/8500P TYPE
	PCB			FLUORESCENT LAMP INVERTER	iR8500/8500P TYPE
	VS3 - 5083 - 002		1	CONNECTOR, 2P, FEMALE	iR8500/8500P TYPE
	WS3 - 5160 - 000		2	SOCKET CONTACT, 18-24AWG	iR8500/8500P TYPE
J 1002	PCB			FLUORESCENT LAMP INVERTER	iR8500/8500P TYPE
	VS1 - 6321 - 008		1	CONNECTOR, 8P, FEMALE	iR8500/8500P TYPE
J 1003	PCB			FLUORESCENT LAMP INVERTER	iR8500/8500P TYPE
	FH2 - 6574 - 000		1	CABLE, FLUORESCENT	iR8500/8500P TYPE
J 1006	PCB			MAIN CONTROLLER	
J 1014	VS1 - 6314 - 009		1	CONNECTOR, 9P, FEMALE	
	PCB			MAIN CONTROLLER	
	VS1 - 6407 - 080		1	CONNECTOR, 80P, FEMALE	
J 1015	PCB			PIXEL/LINE CHANGE	
	PCB			MAIN CONTROLLER	
J 1017	PCB			MAIN CONTROLLER	
	VS1 - 6619 - 040		1	CONNECTOR, 40P, FEMALE	
J 1018	PCB			MAIN CONTROLLER	
	VS1 - 6313 - 018		2	CONNECTOR, 18P, FEMALE	
	VT2 - 5161 - 036		1	HOLDER, CONNECTOR, 36P	

FIGURE & KEY NO.	PART NUMBER	RANK	QTY	DESCRIPTION	SERIAL NUMBER / REMARKS
B - J 1 0 1 9	PCB			MAIN CONTROLLER	
	VS1 - 6313 - 013		2	CONNECTOR, 13P, FEMALE	
J 1 0 2 0	VT2 - 5161 - 026		1	HOLDER, CONNECTOR, 26P	
	PCB			MAIN CONTROLLER	
	VS1 - 6302 - 015		1	CONNECTOR, 15P, MALE	
J 1 0 2 1	WS3 - 5680 - 000		14	SOCKET CONTACT, 20-24AWG	
	PCB			MAIN CONTROLLER	
J 1 0 2 2	VS1 - 6314 - 003		1	CONNECTOR, 3P, FEMALE	
	PCB			MAIN CONTROLLER	
	VS1 - 6321 - 006		1	CONNECTOR, 6P, FEMALE	
J 1 0 2 3	PCB			MAIN CONTROLLER	
	VS1 - 6314 - 011		1	CONNECTOR, 11P, FEMALE	
J 1 0 2 4	PCB			MAIN CONTROLLER	
	VS1 - 6314 - 010		1	CONNECTOR, 10P, FEMALE	
J 1 0 2 7	PCB			MAIN CONTROLLER	
J 1 0 2 8	VS1 - 6302 - 002		1	CONNECTOR, 2P, FEMALE	
	WS3 - 5680 - 000		2	SOCKET CONTACT, 20-24AWG	
	PCB			MAIN CONTROLLER	FM16
	NPN			SYSTEM FAN	
J 1 0 5 8	PCB			MAIN CONTROLLER	
J 1 0 6 0	VS1 - 6302 - 004		1	CONNECTOR, 4P, FEMALE	
	WS3 - 5680 - 000		4	SOCKET CONTACT, 20-24AWG	
	PCB			MAIN CONTROLLER	
	VS1 - 6321 - 004		1	CONNECTOR, 4P, FEMALE	
J 1 0 6 1	PCB			MAIN CONTROLLER	
J 1 0 9 1	VS1 - 6314 - 004		1	CONNECTOR, 4P, FEMALE	
	NPN			HARD DISK	
J 1 1 0 1	X62 - 5133 - 000		4	SOCKET CONTACT, 18-24AWG	
	PCB			READER CONTROLLER	iR8500/8500P TYPE
	VS1 - 6302 - 008		1	CONNECTOR, 8P, FEMALE	iR8500/8500P TYPE

FIGURE & KEY NO.	PART NUMBER	RANK	QTY	DESCRIPTION	SERIAL NUMBER / REMARKS
B - J 1 1 0 1	WS3 - 5569 - 000		8	SOCKET CONTACT, 22-28AWG	iR8500/8500P TYPE
J 1 1 0 2	PCB			READER CONTROLLER	iR8500/8500P TYPE
	VS1 - 6302 - 009		1	CONNECTOR, 9P, FEMALE	iR8500/8500P TYPE
	WS3 - 5680 - 000		8	SOCKET CONTACT, 20-24AWG	iR8500/8500P TYPE
J 1 1 0 3	PCB			DOCUMENT DETECT	iR8500/8500P TYPE
	PCB			READER CONTROLLER	iR8500/8500P TYPE
J 1 1 0 4	PCB			READER CONTROLLER	iR8500/8500P TYPE
	FH2 - 6756 - 000		1	CABLE, DDI-S INTERFACE	iR8500/8500P TYPE
J 1 1 0 7	PCB			READER CONTROLLER	iR8500/8500P TYPE
	FH2 - 6899 - 000		1	CABLE, FLAT	iR8500/8500P TYPE
J 1 1 0 8	PCB			READER CONTROLLER	iR8500/8500P TYPE
	FH2 - 6898 - 000		1	CABLE, FLAT	iR8500/8500P TYPE
J 1 1 0 9	PCB			READER CONTROLLER	iR8500/8500P TYPE
	VS1 - 6313 - 013		1	CONNECTOR, 13P, FEMALE	iR8500/8500P TYPE
	VT2 - 5161 - 026		1	HOLDER, CONNECTOR, 26P	iR8500/8500P TYPE
J 1 1 1 0	PCB			READER CONTROLLER	iR8500/8500P TYPE
	VS1 - 6313 - 010		1	CONNECTOR, 10P, FEMALE	iR8500/8500P TYPE
	VS1 - 6314 - 010		1	CONNECTOR, 10P, FEMALE	iR8500/8500P TYPE
	VT2 - 5161 - 020		1	HOLDER, CONNECTOR, 20P	iR8500/8500P TYPE
J 1 1 1 2	PCB			READER CONTROLLER	iR8500/8500P TYPE
J 1 1 1 3	VS1 - 6314 - 012		1	CONNECTOR, 12P, FEMALE	iR8500/8500P TYPE
	PCB			READER CONTROLLER	iR8500/8500P TYPE
	VS1 - 6314 - 004		1	CONNECTOR, 4P, FEMALE	iR8500/8500P TYPE
J 1 1 1 4	PCB			READER CONTROLLER	iR8500/8500P TYPE
	VS1 - 6321 - 006		1	CONNECTOR, 6P, FEMALE	iR8500/8500P TYPE
J 1 3 0 1	PCB			LASER DRIVER 1	
	PCB			LASER DRIVER 2	
J 1 3 0 2	PCB			LASER DRIVER 2	
	FH2 - 6900 - 000		1	CABLE, SHIELD	
J 1 3 0 3	PCB			LASER DRIVER 2	

FIGURE & KEY NO.	PART NUMBER	RANK	QTY	DESCRIPTION	SERIAL NUMBER / REMARKS
B - J 1 3 0 3	VS1 - 6314 - 016		1	CONNECTOR, 16P, FEMALE	
J 1 3 0 4	PCB			LASER DRIVER 2	
	VS1 - 6314 - 006		1	CONNECTOR, 6P, FEMALE	
J 1 3 0 5	PCB			LASER DRIVER 1	
	VS1 - 6302 - 004		1	CONNECTOR, 4P, FEMALE	

J 1 4 5 1	WS3 - 5680 - 000		4	SOCKET CONTACT, 20-24AWG	
	PCB			PIXEL/LINE CHANGE	
	PCB			MAIN CONTROLLER	
J 1 4 5 2	PCB			PIXEL/LINE CHANGE	
	FH2 - 6900 - 000		1	CABLE, SHIELD	

J 1 4 5 3	PCB			PIXEL/LINE CHANGE	
	VS1 - 6313 - 014		1	CONNECTOR, 14P, FEMALE	
	VS1 - 6314 - 014		1	CONNECTOR, 14P, FEMALE	
	VT2 - 5161 - 028		1	HOLDER, CONNECTOR, 28P	
J 1 4 5 4	PCB			PIXEL/LINE CHANGE	

J 1 4 6 1	VS3 - 5083 - 004		1	CONNECTOR, 4P, FEMALE	
	WS3 - 5160 - 000		4	SOCKET CONTACT, 18-24AWG	
	PCB			BICENTRO INTERFACE	
	VS1 - 6313 - 017		1	CONNECTOR, 17P, FEMALE	
	VS1 - 6314 - 017		1	CONNECTOR, 17P, FEMALE	

J 1 5 0 1	VT2 - 5161 - 034		1	HOLDER, CONNECTOR, 34P	
	PCB			CCD	iR8500/8500P TYPE
	VS1 - 6302 - 008		1	CONNECTOR, 8P, FEMALE	iR8500/8500P TYPE
	WS3 - 5569 - 000		8	SOCKET CONTACT, 22-28AWG	iR8500/8500P TYPE
J 1 5 0 2	PCB			CCD	iR8500/8500P TYPE

J 1 5 0 3	FH2 - 6899 - 000		1	CABLE, FLAT	iR8500/8500P TYPE
	PCB			CCD	iR8500/8500P TYPE
	FH2 - 6898 - 000		1	CABLE, FLAT	iR8500/8500P TYPE
J 1 5 5 1	NPN			HARD DISK	
	VS1 - 6619 - 040		1	CONNECTOR, 40P, FEMALE	

FIGURE & KEY NO.	PART NUMBER	R A N K	Q' T Y	DESCRIPTION	SERIAL NUMBER / REMARKS
B - J 1701	PCB			RELAY	
	PCB			MACHINE POWER SUPPLY	
J 1702	PCB			RELAY	
	PCB			MACHINE POWER SUPPLY	
J 1703	PCB			RELAY	
	PCB			MACHINE POWER SUPPLY	
J 1704	PCB			MACHINE POWER SUPPLY	
	PCB			RELAY	
J 1705	PCB			MACHINE POWER SUPPLY	
	PCB			RELAY	
J 1706	PCB			MACHINE POWER SUPPLY	
	PCB			RELAY	
J 1712	PCB			MACHINE POWER SUPPLY	
	VS1 - 6302 - 008		1	CONNECTOR, 8P, FEMALE	
	WS3 - 5680 - 000		8	SOCKET CONTACT, 20-24AWG	
J 1713	PCB			RELAY	
	VS3 - 5083 - 015		1	CONNECTOR, 15P, FEMALE	
	WS3 - 5160 - 000		15	SOCKET CONTACT, 18-24AWG	
J 1714	PCB			RELAY	
	VS1 - 6302 - 012		1	CONNECTOR, 12P, FEMALE	
J 1715	WS3 - 5680 - 000		12	SOCKET CONTACT, 20-24AWG	
	PCB			RELAY	
	VS1 - 6302 - 003		1	CONNECTOR, 3P, FEMALE	
	WS3 - 5680 - 000		2	SOCKET CONTACT, 20-24AWG	
J 1716	PCB			RELAY	
J 1718	VS1 - 6302 - 015		1	CONNECTOR, 15P, MALE	
	WS3 - 5680 - 000		14	SOCKET CONTACT, 20-24AWG	
	PCB			RELAY	
	VS3 - 5083 - 007		1	CONNECTOR, 7P, FEMALE	
	WS3 - 5160 - 000		6	SOCKET CONTACT, 18-24AWG	

FIGURE & KEY NO.	PART NUMBER	RANK	QTY	DESCRIPTION	SERIAL NUMBER / REMARKS
B - J 1 7 1 9	PCB			RELAY	
	VS1 - 6314 - 010		1	CONNECTOR, 10P, FEMALE	
J 1 7 2 0	PCB			RELAY	
	VS1 - 6302 - 008		1	CONNECTOR, 8P, FEMALE	
	WS3 - 5680 - 000		8	SOCKET CONTACT, 20-24AWG	
J 1 7 2 1	PCB			RELAY	
	VS1 - 6302 - 013		1	CONNECTOR, 13P, FEMALE	
	WS3 - 5680 - 000		11	SOCKET CONTACT, 20-24AWG	
J 1 7 2 2	PCB			RELAY	
	VS1 - 6302 - 002		1	CONNECTOR, 2P, FEMALE	
J 1 7 2 3	WS3 - 5569 - 000		2	SOCKET CONTACT, 22-28AWG	
	PCB			RELAY	
	VS1 - 6302 - 009		1	CONNECTOR, 9P, FEMALE	
	WS3 - 5569 - 000		8	SOCKET CONTACT, 22-28AWG	
J 1 7 2 4	PCB			RELAY	
J 1 7 2 6	VS3 - 5083 - 008		1	CONNECTOR, 8P, FEMALE	
	WS3 - 5160 - 000		8	SOCKET CONTACT, 18-24AWG	
	PCB			RELAY	
	VS3 - 5083 - 005		1	CONNECTOR, 5P, FEMALE	
	WS3 - 5160 - 000		4	SOCKET CONTACT, 18-24AWG	
J 1 7 2 7	PCB			RELAY	
	VS1 - 6321 - 003		1	CONNECTOR, 3P, FEMALE	
J 1 7 2 8	PCB			RELAY	
	VS1 - 6314 - 003		1	CONNECTOR, 3P, FEMALE	
J 1 9 0 1	PCB			DOCUMENT DETECT	iR8500/8500P TYPE
J 3 6 0 1	PCB			READER CONTROLLER	iR8500/8500P TYPE
	PCB			THROUGH-PATH	
	FG6 - 7209 - 000		1	CABLE, DUPLEXING FEEDER	
J 3 6 0 2	PCB			THROUGH-PATH	
	FG6 - 7209 - 000		1	CABLE, DUPLEXING FEEDER	

FIGURE & KEY NO.	PART NUMBER	RANK	QTY	DESCRIPTION	SERIAL NUMBER / REMARKS
B - J 3 6 0 3	PCB			THROUGH-PATH	
	FG6 - 7209 - 000		1	CABLE, DUPLEXING FEEDER	
J 3 6 0 4	PCB			THROUGH-PATH	
	NPN			INVERT GUIDE SOLENOID	SL11
J 3 6 0 5	PCB			THROUGH-PATH	
	VS1 - 6321 - 003		1	CONNECTOR, 3P, FEMALE	
J 3 6 0 6	PCB			THROUGH-PATH	
	VS1 - 6321 - 003		1	CONNECTOR, 3P, FEMALE	
J 3 7 0 1	PCB			BEAM DETECT	
	VS1 - 6314 - 005		1	CONNECTOR, 5P, FEMALE	
J 5 0 0 1	PCB			READER CONTROLLER	iR7200/7200P TYPE
	VS1 - 6314 - 003		1	CONNECTOR, 3P, FEMALE	iR7200/7200P TYPE
J 5 0 0 2	PCB			READER CONTROLLER	iR7200/7200P TYPE
	VS3 - 5083 - 004		1	CONNECTOR, 4P, FEMALE	iR7200/7200P TYPE
	WS3 - 5160 - 000		4	SOCKET CONTACT, 18-24AWG	iR7200/7200P TYPE
J 5 0 0 3	PCB			READER CONTROLLER	iR7200/7200P TYPE
	FH2 - 6853 - 000		1	CABLE, FLAT	iR7200/7200P TYPE
J 5 0 0 4	PCB			READER CONTROLLER	iR7200/7200P TYPE
	VS1 - 6407 - 080		1	CONNECTOR, 80P, FEMALE	iR7200/7200P TYPE
J 5 0 0 5	PCB			READER CONTROLLER	iR7200/7200P TYPE
	VS3 - 5083 - 002		1	CONNECTOR, 2P, FEMALE	iR7200/7200P TYPE
	WS3 - 5160 - 000		2	SOCKET CONTACT, 18-24AWG	iR7200/7200P TYPE
J 5 0 0 6	PCB			READER CONTROLLER	iR7200/7200P TYPE
	VS1 - 6314 - 004		1	CONNECTOR, 4P, FEMALE	iR7200/7200P TYPE
J 5 0 0 7	PCB			READER CONTROLLER	iR7200/7200P TYPE
J 5 0 0 8	VS1 - 6314 - 005		1	CONNECTOR, 5P, FEMALE	iR7200/7200P TYPE
	PCB			READER CONTROLLER	iR7200/7200P TYPE
	VS1 - 6302 - 003		1	CONNECTOR, 3P, FEMALE	iR7200/7200P TYPE
	WS3 - 5569 - 000		2	SOCKET CONTACT, 22-28AWG	iR7200/7200P TYPE
J 5 0 1 0	PCB			READER CONTROLLER	iR7200/7200P TYPE

FIGURE & KEY NO.	PART NUMBER	RANK	QTY	DESCRIPTION	SERIAL NUMBER / REMARKS
B - J 5 0 1 0	VS1 - 5452 - 007		1	CONNECTOR, 7P, FEMALE	iR7200/7200P TYPE
J 5 0 1 1	PCB			READER CONTROLLER	iR7200/7200P TYPE
	NPN			SCANNER MOTOR	iR7200/7200P TYPE M101
J 5 0 1 2	PCB			READER CONTROLLER	iR7200/7200P TYPE
	VS1 - 6314 - 006		1	CONNECTOR, 6P, FEMALE	iR7200/7200P TYPE
J 5 0 5 2	VS1 - 5057 - 003		1	CONNECTOR, SNAP TIGHT	iR7200/7200P TYPE
	VS1 - 6321 - 003		2	CONNECTOR, 3P, FEMALE	iR7200/7200P TYPE
J 5 0 5 3	NPN			DOCUMENT SENSOR	iR7200/7200P TYPE PS101
	VS1 - 5057 - 003		1	CONNECTOR, SNAP TIGHT	iR7200/7200P TYPE
	VS1 - 6321 - 003		1	CONNECTOR, 3P, FEMALE	iR7200/7200P TYPE
J 5 0 5 6	NPN			COPYBOARD COVER SENSOR	iR7200/7200P TYPE PS103
	VS1 - 6321 - 003		1	CONNECTOR, 3P, FEMALE	iR7200/7200P TYPE
J 5 0 5 7	NPN			SCANNER HOME POSITION SENSOR	iR7200/7200P TYPE PS102
	VS1 - 6320 - 003		1	CONNECTOR, 3P, FEMALE	iR7200/7200P TYPE
J 5 0 6 2	VS1 - 6314 - 005		2	CONNECTOR, 5P, FEMALE	iR7200/7200P TYPE
J 5 1 0 0	VS1 - 6318 - 005		1	CONNECTOR, SNAP TIGHT	iR7200/7200P TYPE
	PCB			FUSE	iR7200/7200P TYPE
	NPN			MIRROR HEATER	iR7200/7200P TYPE H102
J 5 1 0 1	PCB			INVERTER	iR7200/7200P TYPE
	VS1 - 6313 - 005		1	CONNECTOR, 5P, FEMALE	iR7200/7200P TYPE
J 5 1 0 2	NPN			MIRROR HEATER	iR7200/7200P TYPE H102
	NPN			LENS HEATER	iR7200/7200P TYPE H101
	PCB			INVERTER	iR7200/7200P TYPE
J 5 1 0 5	NPN			SCANNING LAMP	iR7200/7200P TYPE LA101
	SYS			ADF	iR7200/7200P TYPE
J 5 5 0 1	FH2 - 6480 - 000		1	CONNECTOR, FEMALE	iR7200/7200P TYPE
	VS1 - 5452 - 007		1	CONNECTOR, 7P, FEMALE	iR7200/7200P TYPE
	WS3 - 5596 - 000		3	PIN CONTACT, 18-24AWG	iR7200/7200P TYPE
	PCB			DDIS	iR7200/7200P TYPE
	VS1 - 6407 - 080		1	CONNECTOR, 80P, FEMALE	iR7200/7200P TYPE

FIGURE & KEY NO.	PART NUMBER	RANK	QTY	DESCRIPTION	SERIAL NUMBER / REMARKS
B - J 5 5 0 3	PCB			DDIS	iR7200/7200P TYPE
	VS1 - 6302 - 003		1	CONNECTOR, 3P, FEMALE	iR7200/7200P TYPE
	WS3 - 5569 - 000		2	SOCKET CONTACT, 22-28AWG	iR7200/7200P TYPE
J 5 6 0 1	PCB			FUSE	iR7200/7200P TYPE
	VS1 - 6314 - 003		1	CONNECTOR, 3P, FEMALE	iR7200/7200P TYPE
J 5 6 0 2	PCB			FUSE	iR7200/7200P TYPE
	VS3 - 5083 - 003		1	CONNECTOR, 3P, FEMALE	iR7200/7200P TYPE
	WS3 - 5160 - 000		2	SOCKET CONTACT, 18-24AWG	iR7200/7200P TYPE
J 6 0 0 1	PCB			CCD/AP	iR7200/7200P TYPE
	VS3 - 5083 - 004		1	CONNECTOR, 4P, FEMALE	iR7200/7200P TYPE
J 6 0 0 2	WS3 - 5160 - 000		4	SOCKET CONTACT, 18-24AWG	iR7200/7200P TYPE
	PCB			CCD/AP	iR7200/7200P TYPE
	FH2 - 6853 - 000		1	CABLE, FLAT	iR7200/7200P TYPE
J 6 6 0 1	PCB			CONTROL PANEL KEY	
	VS1 - 6314 - 011		1	CONNECTOR, 11P, FEMALE	
J 6 6 0 2	PCB			CONTROL PANEL KEY	
	VS1 - 6314 - 010		1	CONNECTOR, 10P, FEMALE	
J 6 6 0 5	PCB			CONTROL PANEL KEY	
	VS1 - 6314 - 006		1	CONNECTOR, 6P, FEMALE	
J 6 8 0 1	PCB			CONTROL PANEL CPU	
J 6 8 0 2	VS1 - 6313 - 018		2	CONNECTOR, 18P, FEMALE	
	VT2 - 5161 - 036		1	HOLDER, CONNECTOR, 36P	
	PCB			CONTROL PANEL CPU	
J 6 8 0 3	NPN			LCD CONTROL PANEL	
	PCB			CONTROL PANEL CPU	
J 6 8 0 4	NPN			LCD CONTROL PANEL	
	PCB			CONTROL PANEL CPU	
J 6 8 0 5	VS1 - 0842 - 003		1	CONNECTOR, 3P, FEMALE	
	PCB			CONTROL PANEL CPU	
	VS1 - 6314 - 010		1	CONNECTOR, 10P, FEMALE	

FIGURE & KEY NO.	PART NUMBER	RANK	QTY	DESCRIPTION	SERIAL NUMBER / REMARKS
B - J 6 8 0 6	PCB			CONTROL PANEL CPU	
	VS1 - 6314 - 011		1	CONNECTOR, 11P, FEMALE	
J 6 8 0 7	PCB			CONTROL PANEL CPU	
	VS1 - 6314 - 006		1	CONNECTOR, 6P, FEMALE	
J 6 8 0 8	PCB			CONTROL PANEL CPU	
	VS1 - 6314 - 008		1	CONNECTOR, 8P, FEMALE	
J 6 9 0 1	PCB			CONTROL PANEL KEY	
	VS1 - 6314 - 008		1	CONNECTOR, 8P, FEMALE	
J 6 9 0 9	SYS			FOR FOOT SWITCH	
	PCB			CONTROL PANEL CPU	
J 8 5 0 0	VS1 - 5729 - 004		1	CONNECTOR, 4P, MALE	iR7200/7200P TYPE
	VS3 - 5083 - 004		1	CONNECTOR, 4P, FEMALE	iR7200/7200P TYPE
	WS3 - 5160 - 000		4	SOCKET CONTACT, 18-24AWG	iR7200/7200P TYPE
	WS3 - 5301 - 000		4	PIN CONTACT	iR7200/7200P TYPE
J 9 0 0 1	PCB			SERIAL NUMBER	
J 9 0 0 9	VS1 - 6314 - 011		1	CONNECTOR, 11P, FEMALE	
	VS1 - 5729 - 002		1	CONNECTOR, 2P, MALE	iR7200/7200P TYPE
	VS3 - 5083 - 002		1	CONNECTOR, 2P, FEMALE	iR7200/7200P TYPE
	WS3 - 5160 - 000		2	SOCKET CONTACT, 18-24AWG	iR7200/7200P TYPE
	WS3 - 5301 - 000		2	PIN CONTACT	iR7200/7200P TYPE
J 9 2 0 1	PCB			LVDS	
	VS1 - 6407 - 080		1	CONNECTOR, 80P, FEMALE	
J 9 2 0 2	PCB			LVDS	
	FH2 - 6756 - 000		1	CABLE, DDI-S INTERFACE	
J 9 2 0 3	PCB			LVDS	
	VS1 - 6314 - 004		1	CONNECTOR, 4P, FEMALE	

[F61-9001]

CONTENTS

- UA. ASSEMBLY LOCATION DIAGRAM
- U10. LIPS PRINTER KIT ASSEMBLY
- U90. LIPS BOARD PCB ASSEMBLY
- D2. NUMERICAL INDEX

FIGURE UA ASSEMBLY LOCATION DIAGRAM

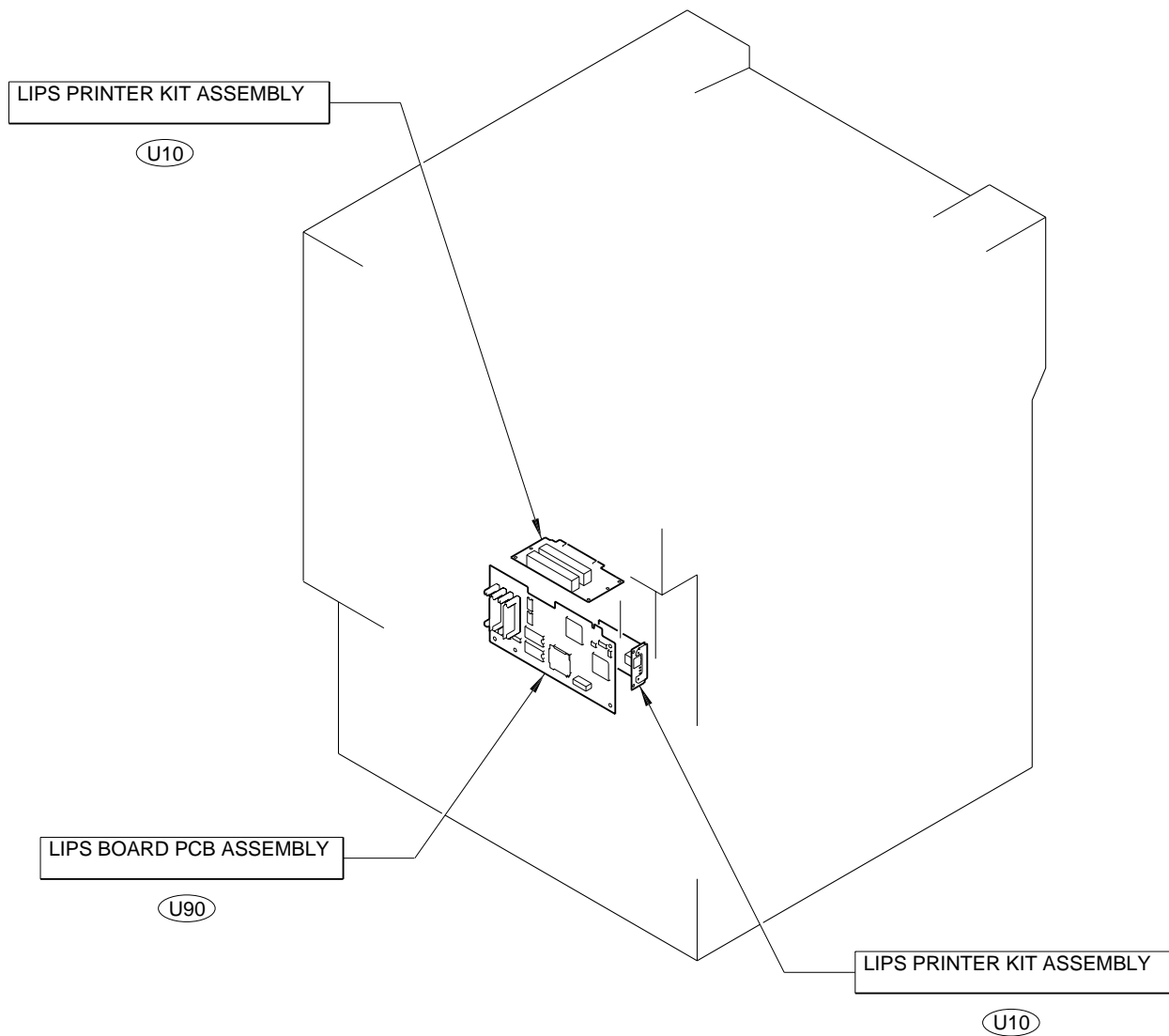


FIGURE U10 LIPS PRINTER KIT ASSEMBLY

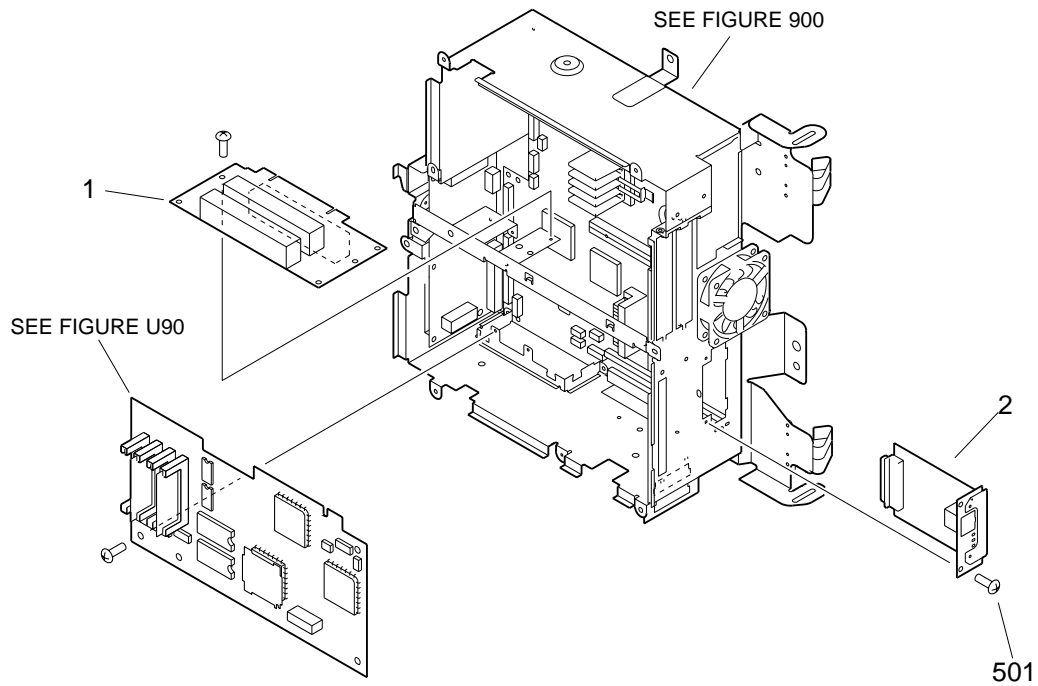


FIGURE & KEY NO.	PART NUMBER	RANK	QTY	DESCRIPTION	SERIAL NUMBER / REMARKS
U10 -	NPN		RF	LIPS PRINTER KIT ASSEMBLY	
1	FG3 - 1745 - 000		1	RAISER BOARD PCB ASSEMBLY	
2	FG6 - 5964 - 000		1	ETHERNET BOARD PCB ASSEMBLY	
501	XB1 - 2300 - 607		10	SCREW, MACH., TRUSS HEAD, M3X6	

FIGURE U90 LIPS BOARD PCB ASSEMBLY

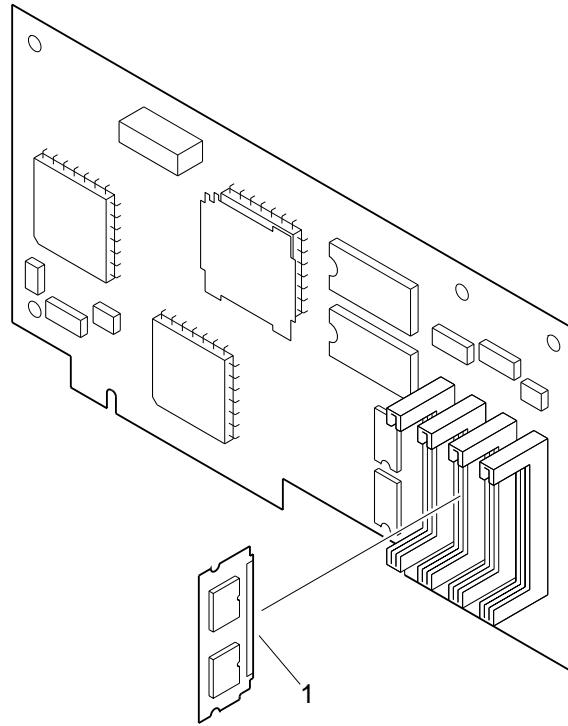


FIGURE & KEY NO.	PART NUMBER	RANK	QTY	DESCRIPTION	SERIAL NUMBER / REMARKS
U90 -	FG3 - 1970 - 000		1	LIPS BOARD PCB ASSEMBLY	
1	FH5 - 3127 - 000		1	DIMM ASS'Y	
I C1	RH4 - 5394 - 000		1	IC, HG73EF03VRO1TB, OTP-ROM	
I C4	FH4 - 6127 - 000		1	IC, MB87F4670PFV-G-BND, ASIC	
I C7	FG9 - 3845 - 000		1	IC, MR27V3255DMB, OTP-ROM	

Ethernet Network Interface Adapter iN-E3

Ethernet Network Interface Adapter iN-E3

[F61-8905]

CONTENTS

- GA. ASSEMBLY LOCATION DIAGRAM**
- G10. NETWORK MULTI PDL PRINTER KIT ASSEMBLY**
- D3. NUMERICAL INDEX**

FIGURE GA ASSEMBLY LOCATION DIAGRAM

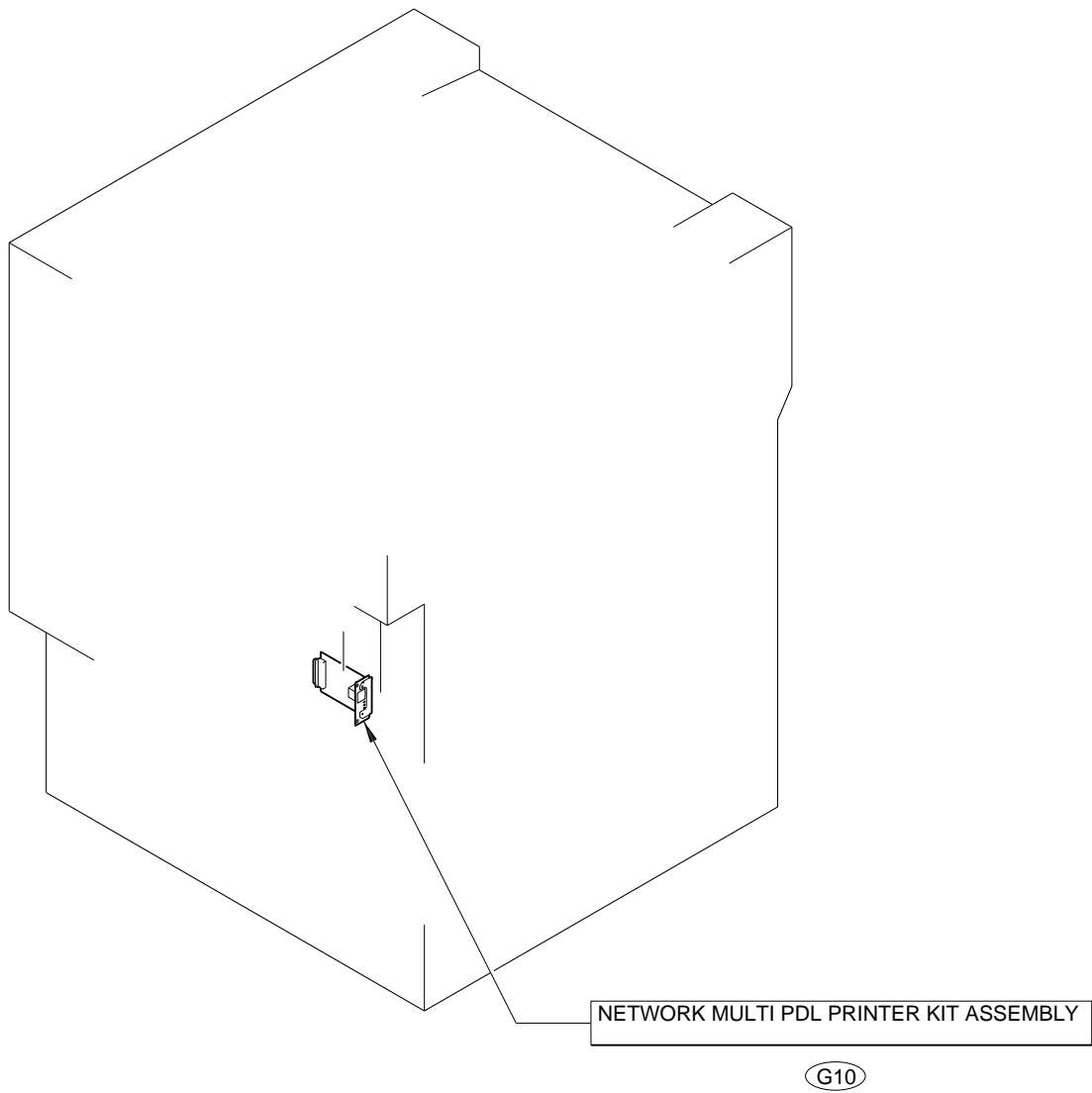


FIGURE G10 NETWORK MULTI PDL PRINTER KIT ASSEMBLY

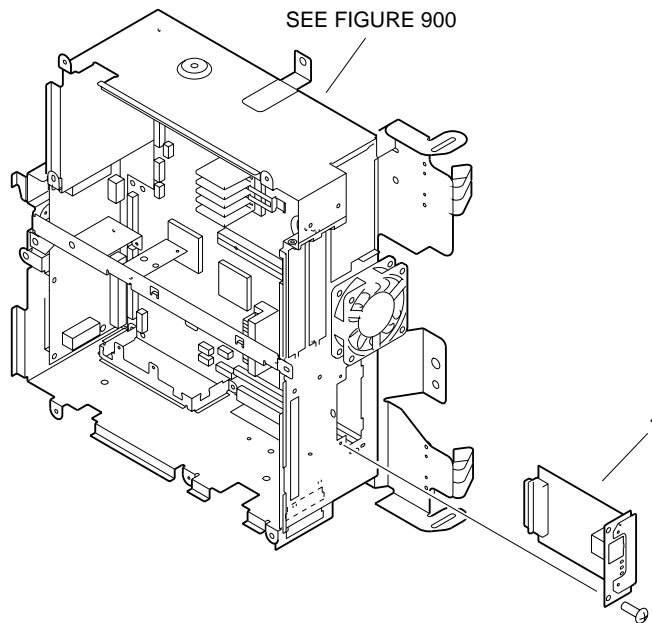


FIGURE & KEY NO.	PART NUMBER	RANK	QTY	DESCRIPTION	SERIAL NUMBER / REMARKS
G10 - 1	NPN FG6 - 5964 - 000		RF 1	N. MULTI PDL PRINTER KIT ASS'Y ETHERNET BOARD PCB ASSEMBLY	

D1 NUMERICAL INDEX (iR8500/8500P/7200/7200P)

PART NUMBER	FIGURE & KEY NO.	PART NUMBER	FIGURE & KEY NO.	PART NUMBER	FIGURE & KEY NO.
97 - 5527 - 000	550 - 1	FA9 - 3805 - 000	264 - 1	FB2 - 7624 - 000	311 - 14
	570 - 1		280 - 1		312 - 11
FA2 - 1498 - 000	550 - 2		360 - 3		313 - 6
	580 - 1	FA9 - 3827 - 000	311 - 3	FB2 - 7625 - 000	302 - 6
FA2 - 1753 - 000	320 - 1	FA9 - 3828 - 000	311 - 4		303 - 6
FA2 - 7162 - 000	100 - 1		312 - 3	FB2 - 7630 - 000	312 - 12
	315 - 1		313 - 3	FB2 - 7631 - 020	311 - 15
FA2 - 8361 - 000	215 - 1	FA9 - 3846 - 000	311 - 5	FB2 - 7633 - 000	311 - 16
FA2 - 9037 - 000	810 - 1		312 - 4		312 - 13
FA3 - 0515 - 000	640 - 1	FA9 - 3863 - 000	320 - 2	FB2 - 7635 - 000	311 - 17
FA3 - 2118 - 000	550 - 3	FA9 - 3864 - 000	103 - 1		312 - 14
FA3 - 2128 - 000	570 - 2	FB1 - 0715 - 000	420 - 1	FB2 - 7641 - 000	311 - 18
FA3 - 2394 - 000	510 - 7 A	FB1 - 6655 - 000	430 - 2		312 - 15
FA3 - 2395 - 000	510 - 7 B	FB1 - 6663 - 000	430 - 3	FB2 - 7642 - 000	311 - 19
FA3 - 2471 - 000	720 - 1		430 - 4		312 - 16
FA3 - 2472 - 000	720 - 2	FB1 - 6833 - 000	810 - 7	FB2 - 7652 - 000	302 - 7
FA3 - 2473 - 000	720 - 3	FB1 - 7041 - 000	360 - 4		303 - 7
FA3 - 2474 - 000	720 - 4	FB1 - 7070 - 000	313 - 4	FB2 - 7693 - 000	313 - 7
FA3 - 2475 - 000	720 - 5	FB1 - 7109 - 000	210 - 2	FB2 - 7715 - 020	313 - 8
FA3 - 2476 - 000	720 - 6		210 - 3	FB2 - 7716 - 000	313 - 9
FA3 - 2477 - 000	720 - 7		211 - 2	FB2 - 7717 - 000	313 - 10
FA3 - 2478 - 000	720 - 8	FB1 - 7112 - 000	210 - 4	FB2 - 7718 - 000	313 - 11
FA3 - 2479 - 000	720 - 9	FB1 - 7157 - 000	100 - 3	FB2 - 7720 - 000	313 - 12
FA3 - 2480 - 000	720 - 10	FB1 - 8619 - 000	316 - 1	FB2 - 7721 - 000	313 - 13
FA3 - 2481 - 000	720 - 11	FB1 - 8620 - 000	316 - 2	FB2 - 7722 - 000	313 - 14
FA3 - 2565 - 000	570 - 3	FB1 - 8621 - 000	316 - 3	FB2 - 7723 - 000	313 - 15
FA3 - 2764 - 020	350 - 1	FB1 - 8625 - 000	316 - 4	FB2 - 7724 - 000	313 - 38 A
FA3 - 8004 - 000	570 - 4	FB1 - 8735 - 000	107 - 1	FB2 - 7740 - 020	302 - 8
FA3 - 8727 - 000	315 - 2	FB1 - 8737 - 000	107 - 2		303 - 8
FA3 - 8894 - 000	810 - 2	FB2 - 0037 - 000	100 - 4		316 - 6
FA3 - 9120 - 000	325 - 1	FB2 - 1035 - 000	320 - 3	FB2 - 7750 - 000	100 - 5
FA3 - 9315 - 000	130 - 1	FB2 - 1047 - 000	250 - 3	FB2 - 7754 - 030	100 - 6
FA4 - 0207 - 000	645 - 1	FB2 - 1382 - 000	215 - 2		100 - 7
FA4 - 1149 - 000	325 - 2	FB2 - 1947 - 000	420 - 2		360 - 6
FA4 - 1819 - 000	600 - 1	FB2 - 1954 - 000	420 - 3	FB2 - 7755 - 000	100 - 8
FA4 - 2037 - 000	600 - 2	FB2 - 2139 - 020	360 - 5		100 - 9
FA4 - 8609 - 000	940 - 1	FB2 - 4234 - 000	130 - 2		360 - 7
FA5 - 2839 - 000	325 - 3	FB2 - 4236 - 000	130 - 3	FB2 - 7758 - 000	303 - 9
FA5 - 2872 - 000	313 - 1	FB2 - 6043 - 000	300 - 2	FB2 - 7777 - 020	311 - 20
FA5 - 2924 - 000	104 - 1	FB2 - 6044 - 000	300 - 3		312 - 17
FA5 - 4266 - 000	315 - 3	FB2 - 6285 - 000	325 - 4		313 - 16
FA5 - 4400 - 000	810 - 3		775 - 2	FB2 - 7841 - 000	260 - 1
FA5 - 4403 - 000	810 - 4	FB2 - 6310 - 000	210 - 5	FB2 - 7864 - 000	100 - 10
FA5 - 4590 - 000	600 - 3	FB2 - 6850 - 000	580 - 2	FB2 - 7887 - 040	104 - 4
FA6 - 0648 - 000	510 - 1	FB2 - 6897 - 000	600 - 4.5 A		104 - 5
FA6 - 0745 - 000	100 - 2	FB2 - 7056 - 000	320 - 4	FB2 - 7888 - 030	104 - 6
FA6 - 3672 - 000	360 - 1	FB2 - 7096 - 000	580 - 3	FB2 - 7899 - 000	108 - 1
FA6 - 6457 - 000	311 - 1	FB2 - 7137 - 000	351 - 1	FB2 - 7900 - 000	108 - 2
FA6 - 7728 - 000	315 - 4	FB2 - 7163 - 000	350 - 2	FB2 - 7981 - 000	775 - 3
FA6 - 7737 - 000	315 - 5	FB2 - 7168 - 000	350 - 3	FB2 - 8002 - 030	102 - 1
FA6 - 7822 - 000	640 - 2	FB2 - 7169 - 000	350 - 4	FB2 - 8003 - 000	102 - 2
FA6 - 7865 - 000	600 - 4	FB2 - 7174 - 040	350 - 5	FB2 - 8010 - 000	102 - 3
FA6 - 7939 - 000	360 - 2	FB2 - 7181 - 000	351 - 2		105 - 2
FA6 - 8003 - 000	810 - 5	FB2 - 7224 - 030	810 - 8	FB2 - 8021 - 000	100 - 11
FA6 - 8071 - 000	315 - 6	FB2 - 7225 - 030	810 - 9	FB2 - 8033 - 020	104 - 7
FA6 - 8304 - 000	250 - 1	FB2 - 7228 - 000	810 - 10	FB2 - 8041 - 000	103 - 2
FA6 - 9971 - 000	302 - 1	FB2 - 7238 - 000	810 - 11	FB2 - 8043 - 000	100 - 12
	303 - 1	FB2 - 7240 - 000	810 - 12	FB2 - 8102 - 000	100 - 13
FA6 - 9986 - 000	302 - 2	FB2 - 7242 - 000	320 - 5	FB2 - 8167 - 000	210 - 6
	303 - 2	FB2 - 7243 - 000	320 - 6	FB2 - 8192 - 000	320 - 7
FA6 - 9988 - 020	302 - 3	FB2 - 7261 - 000	810 - 13	FB2 - 8196 - 020	320 - 8
	303 - 3	FB2 - 7264 - 000	810 - 14	FB2 - 8198 - 000	320 - 9
FA6 - 9989 - 000	302 - 4	FB2 - 7515 - 020	315 - 8	FB2 - 8204 - 000	320 - 10
	303 - 4	FB2 - 7521 - 000	316 - 5	FB2 - 8213 - 000	320 - 11
FA9 - 1449 - 000	211 - 1	FB2 - 7537 - 000	315 - 9	FB2 - 8214 - 000	320 - 12
	460 - 1	FB2 - 7542 - 000	315 - 10	FB2 - 8217 - 020	320 - 13
FA9 - 1800 - 000	210 - 1	FB2 - 7545 - 000	315 - 11	FB2 - 8226 - 000	100 - 14
FA9 - 1969 - 000	104 - 2	FB2 - 7558 - 000	315 - 12	FB2 - 8227 - 000	315 - 13
	104 - 3	FB2 - 7559 - 000	101 - 1	FB2 - 8248 - 020	105 - 3
FA9 - 1990 - 000	430 - 1	FB2 - 7560 - 000	101 - 2	FB2 - 8266 - 000	311 - 21
FA9 - 2112 - 000	261 - 1	FB2 - 7593 - 000	311 - 6		312 - 18
	302 - 5		312 - 5	FB2 - 8302 - 000	600 - 6
	303 - 5	FB2 - 7603 - 000	312 - 6	FB2 - 8345 - 000	101 - 3
	311 - 2	FB2 - 7605 - 000	311 - 7	FB2 - 8376 - 000	320 - 14
	312 - 1		312 - 7	FB2 - 8384 - 000	315 - 14
	313 - 2	FB2 - 7606 - 000	311 - 8	FB2 - 8402 - 000	775 - 4
	775 - 1		312 - 8	FB2 - 8410 - 000	311 - 22
	810 - 6	FB2 - 7607 - 020	311 - 9		312 - 19
FA9 - 3622 - 000	105 - 1	FB2 - 7611 - 000	311 - 10	FB2 - 8436 - 000	311 - 23
	194 - 1	FB2 - 7613 - 000	311 - 11	FB2 - 8465 - 000	302 - 9
FA9 - 3669 - 000	315 - 7	FB2 - 7614 - 000	312 - 9		303 - 10
FA9 - 3674 - 000	300 - 1	FB2 - 7616 - 000	311 - 12	FB2 - 8506 - 000	108 - 3
FA9 - 3691 - 000	312 - 2		312 - 10	FB2 - 8512 - 000	311 - 24
FA9 - 3730 - 000	600 - 5	FB2 - 7620 - 000	311 - 13		312 - 20
FA9 - 3805 - 000	250 - 2	FB2 - 7623 - 000	313 - 5		313 - 17

D1 NUMERICAL INDEX (iR8500/8500P/7200/7200P)

PART NUMBER	FIGURE & KEY NO.	PART NUMBER	FIGURE & KEY NO.	PART NUMBER	FIGURE & KEY NO.
FB2 - 9248 - 000	231 - 1	FB4 - 1391 - 000	100 - 16	FB4 - 1712 - 000	210 - 20 A
FB3 - 2331 - 000	320 - 15	FB4 - 1392 - 000	100 - 17	FB4 - 1713 - 000	210 - 33 A
FB3 - 2398 - 020	211 - 3	FB4 - 1396 - 000	100 - 18	FB4 - 1714 - 000	210 - 20 B
FB3 - 2411 - 000	420 - 4	FB4 - 1407 - 000	101 - 13 A	FB4 - 1715 - 000	210 - 33 B
	421 - 1	FB4 - 1408 - 000	101 - 12 A	FB4 - 1717 - 000	100 - 22
	430 - 5	FB4 - 1409 - 000	101 - 11 A	FB4 - 1719 - 000	325 - 8
	431 - 1	FB4 - 1410 - 000	103 - 3	FB4 - 1727 - 000	100 - 23
FB3 - 6117 - 000	510 - 7 C	FB4 - 1411 - 000	103 - 4	FB4 - 1734 - 000	210 - 9
FB3 - 7692 - 000	420 - 5	FB4 - 1416 - 000	510 - 2	FB4 - 1735 - 000	100 - 24
	430 - 6	FB4 - 1418 - 000	103 - 5	FB4 - 1740 - 000	210 - 33 C
FB3 - 8320 - 000	130 - 22 A		103 - 6	FB4 - 1750 - 000	106 - 2
FB3 - 8333 - 000	311 - 25	FB4 - 1421 - 000	103 - 7	FB4 - 1753 - 000	106 - 3
FB3 - 8369 - 000	350 - 6	FB4 - 1423 - 000	100 - 19	FB4 - 1762 - 000	280 - 2
FB3 - 8398 - 000	320 - 16	FB4 - 1428 - 000	210 - 8	FB4 - 1766 - 000	250 - 4
FB3 - 8409 - 000	810 - 15	FB4 - 1430 - 000	101 - 6	FB4 - 1781 - 000	106 - 4
FB3 - 8412 - 000	810 - 16	FB4 - 1432 - 000	120 - 1	FB4 - 1792 - 000	775 - 5
FB3 - 8414 - 000	350 - 7	FB4 - 1433 - 000	120 - 2	FB4 - 1794 - 000	775 - 6
FB3 - 8457 - 000	320 - 17	FB4 - 1436 - 000	120 - 3	FB4 - 1795 - 000	775 - 7
FB3 - 8508 - 000	302 - 10	FB4 - 1437 - 000	100 - 20	FB4 - 1797 - 000	775 - 8
	303 - 11	FB4 - 1443 - 000	770 - 1	FB4 - 1806 - 000	250 - 5
FB3 - 8615 - 000	261 - 2	FB4 - 1447 - 000	107 - 6		270 - 1
FB3 - 8616 - 000	261 - 3	FB4 - 1512 - 000	215 - 3		280 - 3
FB3 - 9303 - 020	300 - 4	FB4 - 1521 - 000	215 - 4	FB4 - 1820 - 020	640 - 4
FB3 - 9305 - 000	300 - 5	FB4 - 1522 - 000	215 - 5	FB4 - 1821 - 020	640 - 5
FB3 - 9306 - 000	300 - 6	FB4 - 1532 - 000	215 - 6	FB4 - 1824 - 000	640 - 6
FB3 - 9307 - 000	300 - 7	FB4 - 1533 - 000	215 - 7	FB4 - 1825 - 000	640 - 7
FB3 - 9308 - 000	300 - 8	FB4 - 1534 - 000	215 - 8	FB4 - 1828 - 000	640 - 8
FB3 - 9311 - 000	300 - 9	FB4 - 1538 - 000	215 - 9	FB4 - 1829 - 000	640 - 9
FB3 - 9312 - 000	300 - 10	FB4 - 1539 - 020	215 - 10	FB4 - 1830 - 000	640 - 16 A
FB3 - 9313 - 000	300 - 11	FB4 - 1540 - 000	215 - 11	FB4 - 1831 - 000	640 - 10
FB3 - 9314 - 000	300 - 12	FB4 - 1542 - 000	110 - 1	FB4 - 1837 - 000	640 - 11
FB3 - 9315 - 000	300 - 13		111 - 1	FB4 - 1842 - 000	645 - 2
FB3 - 9316 - 000	300 - 14		770 - 2	FB4 - 1849 - 000	645 - 3
FB3 - 9319 - 000	300 - 15	FB4 - 1546 - 000	215 - 12	FB4 - 1850 - 000	645 - 4
FB3 - 9320 - 000	300 - 16	FB4 - 1550 - 000	215 - 13	FB4 - 1856 - 000	645 - 5
FB3 - 9321 - 000	300 - 29 A	FB4 - 1554 - 000	215 - 14	FB4 - 1857 - 000	645 - 6
FB3 - 9322 - 020	300 - 17	FB4 - 1557 - 020	120 - 4	FB4 - 1858 - 000	645 - 7
FB3 - 9323 - 030	300 - 18	FB4 - 1558 - 000	100 - 21	FB4 - 1862 - 000	640 - 12
FB3 - 9326 - 000	300 - 19	FB4 - 1564 - 000	215 - 15	FB4 - 1866 - 000	640 - 13
FB3 - 9327 - 000	300 - 20	FB4 - 1569 - 000	600 - 7	FB4 - 1869 - 000	105 - 13 A
FB3 - 9329 - 000	300 - 29 B	FB4 - 1570 - 000	600 - 8	FB4 - 1871 - 000	100 - 25
FB3 - 9335 - 000	300 - 21	FB4 - 1575 - 000	600 - 9	FB4 - 1876 - 000	100 - 26
FB3 - 9336 - 000	300 - 29 C	FB4 - 1576 - 000	600 - 10	FB4 - 1890 - 000	275 - 25
FB3 - 9337 - 000	300 - 22	FB4 - 1577 - 000	600 - 11	FB4 - 1892 - 000	275 - 1
FB3 - 9340 - 000	300 - 23	FB4 - 1584 - 000	600 - 12	FB4 - 1893 - 000	275 - 2
FB3 - 9345 - 000	104 - 8	FB4 - 1585 - 000	600 - 13	FB4 - 1894 - 000	275 - 3
FB3 - 9356 - 000	104 - 9	FB4 - 1590 - 000	600 - 14	FB4 - 1895 - 000	275 - 4
FB3 - 9362 - 000	107 - 3	FB4 - 1592 - 000	600 - 15	FB4 - 1896 - 000	275 - 5
FB3 - 9363 - 000	107 - 4	FB4 - 1594 - 000	600 - 16	FB4 - 1899 - 000	275 - 6
FB3 - 9364 - 000	107 - 5	FB4 - 1595 - 000	600 - 17	FB4 - 1900 - 000	275 - 7
FB3 - 9367 - 000	311 - 26	FB4 - 1598 - 000	600 - 18	FB4 - 1901 - 000	275 - 8
FB3 - 9372 - 000	810 - 17	FB4 - 1600 - 000	600 - 19	FB4 - 1902 - 000	275 - 9
FB3 - 9907 - 000	100 - 62 B	FB4 - 1607 - 000	600 - 20	FB4 - 1903 - 000	275 - 10
FB3 - 9910 - 000	305 - 1 A	FB4 - 1609 - 000	600 - 21	FB4 - 1904 - 000	275 - 11
FB4 - 0464 - 000	640 - 3	FB4 - 1611 - 000	600 - 22	FB4 - 1913 - 000	275 - 12
FB4 - 0650 - 000	104 - 10	FB4 - 1612 - 000	600 - 23	FB4 - 1915 - 000	275 - 13
FB4 - 0715 - 000	210 - 7		910 - 1	FB4 - 1916 - 000	275 - 14
FB4 - 0753 - 000	211 - 4	FB4 - 1613 - 000	600 - 24	FB4 - 1924 - 000	275 - 15
FB4 - 0786 - 000	420 - 6	FB4 - 1616 - 000	600 - 46 A	FB4 - 1925 - 000	275 - 16
FB4 - 0787 - 000	420 - 7	FB4 - 1617 - 000	600 - 25	FB4 - 1926 - 000	275 - 17
FB4 - 0788 - 000	420 - 8	FB4 - 1618 - 000	600 - 26	FB4 - 1927 - 000	275 - 18
FB4 - 0789 - 000	420 - 9	FB4 - 1619 - 000	600 - 27	FB4 - 1933 - 000	550 - 5
FB4 - 0795 - 000	420 - 10	FB4 - 1620 - 000	510 - 3	FB4 - 1940 - 000	550 - 6
FB4 - 0802 - 000	420 - 11	FB4 - 1621 - 000	510 - 4	FB4 - 1941 - 000	550 - 7
	430 - 7	FB4 - 1622 - 000	510 - 5	FB4 - 1947 - 000	940 - 2
FB4 - 0804 - 000	420 - 12	FB4 - 1623 - 000	510 - 6	FB4 - 1948 - 000	940 - 3
FB4 - 0825 - 000	430 - 8	FB4 - 1648 - 000	580 - 4	FB4 - 1953 - 000	106 - 5
FB4 - 0831 - 000	430 - 9	FB4 - 1650 - 000	580 - 5	FB4 - 1957 - 000	103 - 8
FB4 - 0832 - 000	420 - 13	FB4 - 1653 - 000	580 - 6	FB4 - 1960 - 000	100 - 27
FB4 - 0864 - 000	420 - 14	FB4 - 1656 - 000	580 - 7	FB4 - 1962 - 000	100 - 28
	430 - 10	FB4 - 1657 - 000	580 - 8	FB4 - 1964 - 000	100 - 29
FB4 - 0867 - 000	420 - 15	FB4 - 1667 - 000	325 - 23 A	FB4 - 1965 - 000	100 - 30
FB4 - 0868 - 000	420 - 15	FB4 - 1670 - 000	325 - 5		100 - 31
FB4 - 1202 - 000	311 - 27	FB4 - 1675 - 000	325 - 6	FB4 - 1967 - 000	100 - 32
FB4 - 1334 - 000	108 - 4	FB4 - 1679 - 000	325 - 7	FB4 - 1969 - 000	100 - 33
FB4 - 1339 - 000	108 - 5	FB4 - 1680 - 020	570 - 5		100 - 34
FB4 - 1340 - 000	108 - 6	FB4 - 1681 - 020	570 - 6	FB4 - 1970 - 000	100 - 35
FB4 - 1341 - 000	104 - 11	FB4 - 1682 - 000	570 - 7	FB4 - 1978 - 020	311 - 28
FB4 - 1342 - 000	104 - 12	FB4 - 1683 - 000	570 - 8	FB4 - 1979 - 000	311 - 29
FB4 - 1350 - 000	102 - 4	FB4 - 1693 - 000	550 - 4	FB4 - 1980 - 000	311 - 30
FB4 - 1354 - 000	106 - 1		570 - 9	FB4 - 1982 - 000	311 - 31
FB4 - 1355 - 000	104 - 13		580 - 9	FB4 - 1989 - 000	311 - 32
FB4 - 1359 - 000	100 - 15	FB4 - 1694 - 000	570 - 10		312 - 21
FB4 - 1385 - 020	101 - 4	FB4 - 1695 - 000	570 - 11	FB4 - 1990 - 000	313 - 18
FB4 - 1386 - 000	101 - 5	FB4 - 1696 - 000	570 - 12	FB4 - 1992 - 000	313 - 19

D1 NUMERICAL INDEX (iR8500/8500P/7200/7200P)

PART NUMBER	FIGURE & KEY NO.	PART NUMBER	FIGURE & KEY NO.	PART NUMBER	FIGURE & KEY NO.
FB4 - 1994 - 000	313 - 2 0	FB4 - 2270 - 000	351 - 4	FB4 - 6227 - 000	312 - 3 0
FB4 - 1996 - 000	313 - 2 1	FB4 - 2271 - 000	351 - 5		313 - 2 4
FB4 - 2000 - 000	312 - 2 2	FB4 - 2272 - 000	351 - 6	FB4 - 7478 - 000	100 - 3 9
FB4 - 2004 - 000	311 - 3 3	FB4 - 2284 - 000	351 - 7	FB4 - 7481 - 000	360 - 3 4
	312 - 2 3	FB4 - 2288 - 000	351 - 8	FB4 - 7486 - 000	360 - 3 5
FB4 - 2007 - 000	311 - 3 4	FB4 - 2289 - 000	351 - 9	FB4 - 7833 - 000	103 - 1 3
	312 - 2 4	FB4 - 2293 - 000	351 - 1 0	FB4 - 7834 - 000	104 - 1 9
	313 - 2 2	FB4 - 2294 - 000	351 - 1 1	FB4 - 7835 - 000	311 - 3 8
	315 - 1 5	FB4 - 2297 - 000	320 - 3 3		312 - 3 1
FB4 - 2009 - 000	312 - 4 8 A	FB4 - 2299 - 000	320 - 3 4	FB4 - 7839 - 000	102 - 1 6
FB4 - 2010 - 000	312 - 2 5	FB4 - 2300 - 000	320 - 3 5	FB4 - 7840 - 000	315 - 2 1
FB4 - 2012 - 000	312 - 2 6	FB4 - 2303 - 000	320 - 3 6	FB4 - 7845 - 000	103 - 1 4
FB4 - 2013 - 000	312 - 2 7	FB4 - 2305 - 020	320 - 3 7	FB4 - 7846 - 000	108 - 7
FB4 - 2014 - 000	312 - 2 8	FB4 - 2306 - 020	320 - 3 8	FB4 - 7878 - 000	320 - 4 7
FB4 - 2016 - 000	312 - 2 9	FB4 - 2307 - 020	320 - 3 9	FB4 - 7882 - 000	100 - 4 0
FB4 - 2019 - 000	104 - 1 4	FB4 - 2308 - 020	320 - 4 0	FB4 - 7883 - 000	100 - 4 1
FB4 - 2020 - 000	104 - 1 5	FB4 - 2310 - 000	320 - 4 1	FB4 - 8012 - 000	600 - 2 8
FB4 - 2023 - 000	104 - 1 6	FB4 - 2312 - 000	320 - 4 2	FB4 - 8013 - 000	600 - 2 9
FB4 - 2024 - 000	104 - 1 7	FB4 - 2314 - 000	320 - 4 3	FB4 - 8014 - 000	600 - 3 0
FB4 - 2026 - 000	302 - 1 1	FB4 - 2317 - 000	320 - 4 4	FB4 - 8018 - 000	600 - 3 1
	303 - 1 2	FB4 - 2318 - 020	320 - 4 5	FB4 - 9026 - 000	275 - 2 1
FB4 - 2031 - 000	313 - 2 3	FB4 - 2322 - 020	325 - 1 0	FB4 - 9027 - 000	275 - 2 2
FB4 - 2034 - 000	311 - 5 6 A	FB4 - 2325 - 000	360 - 3 3	FB4 - 9028 - 000	275 - 2 3
	312 - 4 7 A	FB4 - 2327 - 000	320 - 4 6	FB4 - 9029 - 000	311 - 3 9
	313 - 3 7 A	FB4 - 2343 - 000	130 - 4		312 - 3 2
FB4 - 2035 - 000	315 - 1 6	FB4 - 2347 - 000	460 - 2		313 - 2 5
FB4 - 2041 - 000	103 - 9	FB4 - 2358 - 000	210 - 1 0	FB4 - 9032 - 000	106 - 6
FB4 - 2042 - 000	103 - 1 0	FB4 - 2360 - 000	210 - 1 1	FB4 - 9033 - 000	325 - 1 6
	103 - 1 1	FB4 - 2366 - 000	210 - 1 2	FB4 - 9034 - 000	105 - 4
FB4 - 2055 - 000	320 - 1 8	FB4 - 2376 - 000	210 - 1 3	FB4 - 9035 - 000	360 - 3 6
FB4 - 2058 - 000	320 - 1 9	FB4 - 2384 - 000	210 - 1 4	FB4 - 9043 - 000	311 - 4 0
FB4 - 2061 - 000	320 - 2 0	FB4 - 2385 - 000	420 - 1 6		312 - 3 3
FB4 - 2062 - 000	320 - 2 1	FB4 - 3118 - 000	101 - 2 1 A		313 - 2 6
FB4 - 2067 - 000	320 - 2 2	FB4 - 3687 - 000	550 - 8	FB4 - 9343 - 000	110 - 2
FB4 - 2068 - 000	320 - 2 3		570 - 1 3	FB4 - 9346 - 000	940 - 4
	325 - 9		580 - 1 0	FB4 - 9355 - 000	580 - 1 1
FB4 - 2077 - 000	320 - 2 4	FB4 - 3700 - 000	311 - 3 5	FB4 - 9360 - 000	810 - 2 3
FB4 - 2078 - 000	320 - 2 5	FB4 - 3723 - 020	260 - 2	FB4 - 9361 - 000	810 - 2 4
FB4 - 2087 - 000	330 - 1	FB4 - 3728 - 000	260 - 3	FB4 - 9509 - 000	302 - 1 3
FB4 - 2088 - 000	330 - 2	FB4 - 3729 - 000	260 - 4		303 - 1 5
FB4 - 2090 - 000	330 - 3	FB4 - 3731 - 000	102 - 5	FB4 - 9511 - 000	770 - 3
FB4 - 2092 - 000	330 - 4		102 - 6	FB4 - 9514 - 000	275 - 2 4
FB4 - 2093 - 000	330 - 5	FB4 - 3732 - 000	102 - 7	FB4 - 9515 - 000	325 - 1 7
FB4 - 2094 - 000	330 - 6	FB4 - 3741 - 020	102 - 8	FB4 - 9517 - 000	600 - 3 2
FB4 - 2104 - 000	360 - 8	FB4 - 3743 - 000	102 - 2 0 A	FB4 - 9518 - 000	600 - 3 3
FB4 - 2106 - 000	360 - 9	FB4 - 3747 - 000	315 - 1 7	FB4 - 9524 - 000	810 - 2 5
FB4 - 2111 - 000	360 - 1 0	FB4 - 3750 - 000	315 - 1 8	FB4 - 9525 - 000	600 - 3 4
FB4 - 2113 - 000	360 - 1 1	FB4 - 3759 - 000	315 - 1 9	FB4 - 9526 - 000	600 - 3 5
FB4 - 2114 - 020	360 - 1 2	FB4 - 3762 - 000	315 - 2 7 A	FB4 - 9797 - 020	320 - 4 8
FB4 - 2119 - 000	360 - 1 3	FB4 - 3767 - 000	264 - 2	FB4 - 9799 - 000	770 - 4
FB4 - 2121 - 000	360 - 1 4	FB4 - 3772 - 000	315 - 2 0	FB5 - 0527 - 000	320 - 4 9
FB4 - 2122 - 000	360 - 1 5	FB4 - 3773 - 000	102 - 9	FB5 - 0529 - 000	580 - 1 2
FB4 - 2124 - 000	360 - 1 6	FB4 - 3774 - 000	316 - 7	FB5 - 0530 - 000	580 - 1 3
FB4 - 2131 - 000	360 - 1 7	FB4 - 3811 - 000	103 - 1 2	FB5 - 0532 - 000	101 - 8
FB4 - 2132 - 000	360 - 1 8	FB4 - 3814 - 000	102 - 1 0	FB5 - 0539 - 000	320 - 5 0
FB4 - 2133 - 000	360 - 1 9	FB4 - 3816 - 000	102 - 1 1	FB5 - 0553 - 000	231 - 2
FB4 - 2135 - 000	360 - 2 0	FB4 - 3817 - 000	102 - 1 2	FB5 - 1489 - 000	300 - 2 5
FB4 - 2136 - 000	360 - 2 1	FB4 - 3822 - 000	102 - 1 3	FB5 - 1523 - 000	105 - 5
FB4 - 2145 - 000	360 - 2 2	FB4 - 3823 - 000	102 - 1 4	FB5 - 1524 - 000	105 - 6
FB4 - 2149 - 000	360 - 2 3	FB4 - 3850 - 000	325 - 1 1	FB5 - 1837 - 000	100 - 4 2
FB4 - 2150 - 000	360 - 2 4	FB4 - 3851 - 000	325 - 1 2	FB5 - 1840 - 000	105 - 7
FB4 - 2151 - 000	360 - 2 5	FB4 - 3852 - 000	325 - 1 3	FB5 - 1844 - 000	600 - 3 6
FB4 - 2152 - 000	360 - 2 6	FB4 - 3853 - 000	325 - 2 0 A	FB5 - 2063 - 000	311 - 4 1
FB4 - 2153 - 000	360 - 2 7	FB4 - 3857 - 000	325 - 2 1 A		312 - 3 4
FB4 - 2155 - 000	360 - 2 8	FB4 - 3858 - 000	325 - 1 4		313 - 2 7
FB4 - 2156 - 000	360 - 2 9	FB4 - 3860 - 000	325 - 1 5	FB5 - 2172 - 000	130 - 6
FB4 - 2159 - 000	360 - 3 0	FB4 - 5005 - 000	130 - 5	FB5 - 2173 - 000	130 - 7
FB4 - 2161 - 000	360 - 3 1	FB4 - 5093 - 020	102 - 1 5	FB5 - 2174 - 000	130 - 2 2 B
FB4 - 2164 - 000	360 - 3 2	FB4 - 5253 - 000	300 - 2 4	FB5 - 2195 - 000	130 - 2 2 C
FB4 - 2191 - 000	810 - 1 8	FB4 - 5257 - 000	101 - 7	FB5 - 2394 - 000	580 - 1 4
FB4 - 2195 - 020	810 - 1 9	FB4 - 5267 - 000	303 - 1 3	FB5 - 2508 - 000	351 - 1 2
FB4 - 2196 - 020	810 - 2 0	FB4 - 5268 - 000	302 - 1 2	FB5 - 2512 - 000	100 - 4 3
FB4 - 2214 - 000	810 - 2 1		303 - 1 4	FB5 - 2515 - 000	580 - 1 5
FB4 - 2224 - 000	320 - 2 6	FB4 - 5297 - 000	100 - 3 6	FB5 - 2594 - 000	101 - 1 7 A
FB4 - 2225 - 000	320 - 2 7	FB4 - 5298 - 000	100 - 3 7	FB5 - 2596 - 000	106 - 7
FB4 - 2235 - 000	320 - 2 8	FB4 - 5305 - 000	550 - 9	FB5 - 2598 - 000	600 - 3 7
FB4 - 2236 - 000	320 - 2 9	FB4 - 5309 - 000	275 - 1 9	FB5 - 2626 - 000	360 - 3 7
FB4 - 2237 - 000	320 - 3 0	FB4 - 5310 - 000	275 - 2 0	FB5 - 2837 - 000	315 - 2 2
FB4 - 2238 - 000	320 - 3 1	FB4 - 5311 - 000	100 - 3 8	FB5 - 2838 - 000	315 - 2 3
FB4 - 2239 - 000	810 - 2 2	FB4 - 5335 - 000	104 - 1 8	FB5 - 2841 - 000	300 - 3 1 A
FB4 - 2254 - 000	320 - 3 2	FB4 - 5402 - 000	211 - 5	FB5 - 3046 - 000	211 - 6
FB4 - 2261 - 000	350 - 8	FB4 - 5434 - 000	421 - 2	FB5 - 3049 - 000	211 - 7
FB4 - 2262 - 000	350 - 9	FB4 - 5435 - 000	431 - 2	FB5 - 3050 - 000	211 - 8
FB4 - 2263 - 000	350 - 1 0	FB4 - 6214 - 000	311 - 3 6	FB5 - 3052 - 000	211 - 2 9 A
FB4 - 2268 - 000	351 - 3	FB4 - 6227 - 000	311 - 3 7	FB5 - 3055 - 000	211 - 9

D1 NUMERICAL INDEX (iR8500/8500P/7200/7200P)

PART NUMBER	FIGURE & KEY NO.	PART NUMBER	FIGURE & KEY NO.	PART NUMBER	FIGURE & KEY NO.
FB5 - 3056 - 000	211 - 10	FB5 - 6916 - 000	100 - 45	FB6 - 0782 - 000	900 - 3
FB5 - 3068 - 000	421 - 3	FB5 - 6925 - 000	360 - 38	FB6 - 0783 - 000	770 - 5
FB5 - 3069 - 000	421 - 4	FB5 - 6930 - 000	810 - 28	FB6 - 0784 - 000	107 - 7
FB5 - 3077 - 000	431 - 3	FB5 - 6931 - 000	810 - 29	FB6 - 2372 - 000	325 - 19
FB5 - 3085 - 000	211 - 11	FB5 - 6932 - 000	810 - 30	FB6 - 2719 - 000	302 - 21
FB5 - 3086 - 000	211 - 12	FB5 - 6934 - 000	810 - 31		303 - 25
FB5 - 3087 - 000	211 - 13	FB5 - 6935 - 000	810 - 32	FB6 - 2720 - 000	600 - 43
FB5 - 3090 - 000	211 - 14	FB5 - 6936 - 000	810 - 33	FB6 - 2724 - 000	210 - 16
FB5 - 3105 - 000	580 - 16	FB5 - 6941 - 000	810 - 34	FB6 - 2725 - 000	210 - 17
FB5 - 3111 - 000	640 - 14	FB5 - 6944 - 000	810 - 35	FB6 - 2726 - 000	104 - 22
FB5 - 3351 - 000	104 - 20	FB5 - 6945 - 000	810 - 36	FB6 - 2727 - 000	104 - 23
FB5 - 3365 - 000	300 - 26	FB5 - 6946 - 000	810 - 37	FB6 - 2728 - 000	104 - 24
	302 - 14	FB5 - 6948 - 000	810 - 38	FB6 - 2878 - 000	105 - 9
	303 - 16	FB5 - 6951 - 000	810 - 39	FB6 - 2887 - 000	316 - 8
FB5 - 3366 - 000	302 - 33 A	FB5 - 6952 - 000	810 - 40	FB6 - 2888 - 000	100 - 44
FB5 - 3367 - 000	303 - 37 A	FB5 - 6957 - 000	810 - 41	FB6 - 2889 - 000	100 - 44
FB5 - 3370 - 000	302 - 15	FB5 - 6973 - 000	810 - 42	FB6 - 4200 - 000	105 - 10
	303 - 17	FB5 - 6974 - 000	350 - 11	FB6 - 4254 - 000	100 - 44
FB5 - 3395 - 000	351 - 13	FB5 - 6976 - 000	350 - 12	FB6 - 4255 - 000	100 - 44
FB5 - 3407 - 000	320 - 51	FB5 - 6980 - 000	303 - 22	FC1 - 1117 - 000	251 - 1
FB5 - 3410 - 000	351 - 14	FB5 - 6982 - 000	303 - 23	FC1 - 5049 - 000	302 - 22
FB5 - 3421 - 000	351 - 15	FB5 - 6986 - 000	303 - 24		303 - 26
FB5 - 3502 - 000	211 - 15	FB5 - 6987 - 000	300 - 27	FC1 - 5051 - 000	302 - 23
	211 - 34 A	FB5 - 6988 - 000	100 - 46		303 - 27
FB5 - 3569 - 000	302 - 16	FB5 - 6989 - 000	100 - 47	FC1 - 5052 - 000	302 - 24
FB5 - 3635 - 000	211 - 16	FB5 - 6991 - 000	100 - 48		303 - 28
FB5 - 3636 - 000	211 - 17	FB5 - 6992 - 000	100 - 49	FC1 - 5055 - 000	302 - 25
FB5 - 3641 - 000	211 - 18	FB5 - 6996 - 000	100 - 58 A		303 - 29
FB5 - 3642 - 000	211 - 19	FB5 - 7000 - 000	100 - 50	FC1 - 5056 - 000	302 - 26
FB5 - 3698 - 000	130 - 8	FB5 - 7001 - 000	100 - 51		303 - 30
FB5 - 3699 - 000	130 - 9	FB5 - 7005 - 000	311 - 43	FC1 - 5061 - 000	302 - 27
FB5 - 3708 - 000	130 - 10		312 - 37		303 - 31
FB5 - 3709 - 000	130 - 11		313 - 28	FC1 - 5080 - 000	302 - 28
FB5 - 3718 - 000	130 - 22 D	FB5 - 7013 - 000	311 - 44		303 - 32
FB5 - 3728 - 000	130 - 12		312 - 38	FC1 - 5081 - 000	302 - 29
FB5 - 3730 - 000	130 - 22 E	FB5 - 7028 - 000	460 - 3		303 - 33
FB5 - 4010 - 000	900 - 1	FB5 - 7029 - 000	460 - 4	FC1 - 7438 - 000	351 - 20
FB5 - 4339 - 000	312 - 35	FB5 - 7042 - 000	215 - 18	FF2 - 2891 - 000	600 - 44
FB5 - 4346 - 000	215 - 16	FB5 - 7048 - 000	105 - 8	FF2 - 5730 - 000	645 - 8
FB5 - 4347 - 000	215 - 17	FB5 - 7054 - 000	210 - 15	FF3 - 3330 - 000	550 - 10
FB5 - 4535 - 000	211 - 29 B	FB5 - 7075 - 000	320 - 52	FF3 - 3952 - 040	936 - 1
FB5 - 4553 - 000	211 - 29 B	FB5 - 7076 - 000	320 - 53	FF5 - 2173 - 000	210 - 18
FB5 - 4554 - 000	211 - 29 B	FB5 - 7077 - 000	810 - 43	FF5 - 2930 - 000	103 - 16
FB5 - 4555 - 000	211 - 29 B	FB5 - 7545 - 000	100 - 61	FF5 - 2939 - 000	315 - 24
FB5 - 4557 - 000	211 - 29 A	FB5 - 7558 - 000	810 - 44	FF5 - 2942 - 020	570 - 15
FB5 - 4558 - 000	211 - 29 A	FB5 - 7559 - 000	810 - 45	FF5 - 2943 - 000	315 - 25
FB5 - 4559 - 000	211 - 29 A	FB5 - 7560 - 000	810 - 46	FF5 - 2986 - 000	600 - 45
FB5 - 4586 - 000	211 - 30 A	FB5 - 7562 - 000	810 - 47	FF5 - 3063 - 030	311 - 46
FB5 - 4588 - 000	431 - 4	FB5 - 7655 - 000	320 - 54	FF5 - 3135 - 020	315 - 26
FB5 - 5455 - 000	211 - 20	FB5 - 7656 - 000	320 - 55	FF5 - 3220 - 000	311 - 47
FB5 - 5456 - 000	211 - 21	FB5 - 7657 - 000	351 - 16	FF5 - 3221 - 000	313 - 30
FB5 - 5458 - 000	211 - 22	FB5 - 7660 - 000	810 - 48	FF5 - 3228 - 000	312 - 40
FB5 - 5467 - 000	211 - 23	FB5 - 7662 - 000	351 - 17	FF5 - 5593 - 030	100 - 54
FB5 - 5544 - 000	211 - 24	FB5 - 7663 - 000	351 - 18	FF5 - 5594 - 030	100 - 55
FB5 - 5547 - 000	211 - 25	FB5 - 7664 - 000	351 - 19	FF5 - 5894 - 000	311 - 48
FB5 - 5549 - 000	211 - 26	FB5 - 7666 - 000	350 - 13	FF5 - 5895 - 000	311 - 49
FB5 - 5551 - 000	211 - 27	FB5 - 7668 - 000	350 - 14	FF5 - 5914 - 000	350 - 18
FB5 - 5555 - 000	211 - 28	FB5 - 7671 - 000	320 - 56	FF5 - 6000 - 000	320 - 59
FB5 - 5606 - 000	302 - 17	FB5 - 7672 - 000	320 - 57	FF5 - 6183 - 000	300 - 29
	303 - 18	FB5 - 7673 - 000	320 - 58	FF5 - 6189 - 000	300 - 30
FB5 - 5607 - 000	302 - 18	FB5 - 7674 - 000	351 - 22 A	FF5 - 6579 - 000	420 - 17
	303 - 19	FB5 - 7676 - 000	325 - 18	FF5 - 6581 - 000	430 - 11
FB5 - 5608 - 000	302 - 19	FB5 - 7677 - 000	351 - 22 B	FF5 - 6883 - 000	550 - 11
	303 - 20	FB5 - 7678 - 000	351 - 22 C		580 - 18
FB5 - 5609 - 000	302 - 20	FB5 - 8482 - 000	900 - 2	FF5 - 6884 - 000	550 - 12
	303 - 21	FB5 - 8717 - 000	350 - 15		580 - 19
FB5 - 5620 - 000	312 - 36	FB5 - 8718 - 000	351 - 22 D	FF5 - 6885 - 000	550 - 13
FB5 - 5621 - 000	311 - 42	FB5 - 8722 - 000	102 - 17		580 - 20
FB5 - 6825 - 000	810 - 26	FB5 - 8723 - 000	102 - 18	FF5 - 6889 - 000	311 - 50
FB5 - 6833 - 000	810 - 27	FB5 - 8727 - 000	350 - 16		312 - 41
FB5 - 6838 - 000	130 - 13	FB5 - 8729 - 000	350 - 17	FF5 - 6890 - 000	313 - 31
FB5 - 6840 - 000	130 - 14	FB5 - 8735 - 000	104 - 21	FF5 - 6904 - 000	311 - 51
FB5 - 6846 - 000	130 - 15	FB5 - 8809 - 000	215 - 19	FF5 - 6905 - 000	311 - 52
FB5 - 6853 - 000	640 - 17 A	FB5 - 8810 - 000	215 - 20	FF5 - 7540 - 000	313 - 32
FB5 - 6856 - 000	600 - 38	FB5 - 8817 - 000	600 - 42	FF5 - 7651 - 000	940 - 5
FB5 - 6857 - 000	600 - 39	FB5 - 9351 - 000	300 - 28	FF5 - 7654 - 000	103 - 17
FB5 - 6862 - 000	103 - 15	FB5 - 9354 - 000	570 - 14	FF5 - 7655 - 000	103 - 18
FB5 - 6868 - 000	600 - 40	FB5 - 9648 - 000	580 - 17	FF5 - 7658 - 000	101 - 9
FB5 - 6869 - 000	600 - 41	FB6 - 0342 - 000	431 - 5	FF5 - 7661 - 020	101 - 10
FB5 - 6877 - 000	275 - 25	FB6 - 0581 - 000	250 - 7	FF5 - 7662 - 000	101 - 11
FB5 - 6878 - 000	100 - 44	FB6 - 0775 - 000	311 - 45	FF5 - 7663 - 000	101 - 12
FB5 - 6879 - 000	100 - 44		312 - 39	FF5 - 7664 - 000	101 - 13
FB5 - 6882 - 000	106 - 8		313 - 29	FF5 - 7665 - 000	107 - 8
FB5 - 6884 - 000	106 - 9	FB6 - 0776 - 000	100 - 52	FF5 - 7667 - 000	102 - 19
FB5 - 6895 - 000	250 - 6	FB6 - 0777 - 000	100 - 53	FF5 - 7673 - 000	315 - 27

D1 NUMERICAL INDEX (iR8500/8500P/7200/7200P)

PART NUMBER	FIGURE & KEY NO.	PART NUMBER	FIGURE & KEY NO.	PART NUMBER	FIGURE & KEY NO.
FF5 - 7674 - 000	315 - 2 8	FF5 - 9813 - 000	211 - 2 9	FG6 - 1822 - 000	210 - 3 3 D
FF5 - 7675 - 000	315 - 2 9	FF5 - 9814 - 000	211 - 2 9	FG6 - 1823 - 000	210 - 2 2
FF5 - 7682 - 000	600 - 4 6	FF5 - 9816 - 000	211 - 3 0	FG6 - 1824 - 000	210 - 2 3
FF5 - 7695 - 000	645 - 9	FF5 - 9820 - 000	211 - 3 1	FG6 - 1825 - 000	210 - 3 2 A
FF5 - 7698 - 000	640 - 1 5	FF5 - 9821 - 000	211 - 3 2	FG6 - 1826 - 000	215 - 2 2
FF5 - 7701 - 000	640 - 1 6	FF5 - 9825 - 000	421 - 5	FG6 - 1827 - 000	210 - 2 4
FF5 - 7705 - 000	550 - 1 4	FF5 - 9827 - 000	431 - 6	FG6 - 1828 - 000	210 - 2 5
FF5 - 7706 - 000	550 - 1 5	FF5 - 9830 - 000	211 - 3 3	FG6 - 1832 - 000	311 - 5 7
FF5 - 7715 - 000	275 - 2 6	FF5 - 9854 - 000	211 - 3 4	FG6 - 1834 - 000	312 - 4 8
FF5 - 7717 - 000	215 - 2 1	FF5 - 9892 - 000	104 - 2 5	FG6 - 1836 - 000	313 - 3 8
FF5 - 7726 - 000	105 - 1 1	FF5 - 9956 - 000	211 - 3 5	FG6 - 1839 - 000	360 - 5 1
FF5 - 7734 - 000	360 - 3 9	FF5 - 9957 - 000	211 - 3 6	FG6 - 1840 - 000	360 - 5 2
FF5 - 7736 - 000	360 - 4 0	FF5 - 9959 - 000	211 - 3 7	FG6 - 1841 - 000	360 - 5 3
FF5 - 7737 - 020	360 - 4 1	FF5 - 9963 - 000	130 - 1 6	FG6 - 1842 - 000	360 - 5 4
FF5 - 7738 - 000	360 - 4 2	FF6 - 0384 - 000	211 - 3 8	FG6 - 1843 - 000	360 - 5 5
FF5 - 7829 - 000	311 - 5 3	FF6 - 1013 - 000	302 - 3 3	FG6 - 1853 - 000	600 - 4 8
	312 - 4 2	FF6 - 1014 - 000	303 - 3 7	B	J 1 7
	313 - 3 3	FF6 - 1016 - 000	600 - 4 7	FG6 - 1854 - 000	640 - 1 8
FF5 - 7830 - 000	311 - 5 4	FF6 - 1017 - 000	320 - 7 1	FG6 - 1858 - 000	550 - 1 6
	312 - 4 3	FF6 - 1019 - 000	300 - 3 2	FG6 - 1866 - 000	315 - 3 6
	313 - 3 4	FF6 - 1029 - 000	351 - 2 1	FG6 - 1867 - 000	102 - 2 3
FF5 - 7832 - 000	312 - 4 4	FF6 - 1031 - 000	570 - 1 7	FG6 - 1871 - 000	320 - 7 2
FF5 - 7833 - 000	312 - 4 5	FF6 - 1034 - 000	300 - 3 3	FG6 - 1872 - 000	325 - 2 8
FF5 - 7840 - 000	313 - 3 5	FF6 - 1037 - 000	100 - 5 8	FG6 - 1873 - 000	325 - 2 9
FF5 - 7845 - 000	320 - 6 0	FF6 - 1038 - 000	100 - 5 9	FG6 - 1874 - 000	325 - 3 0
FF5 - 7846 - 000	320 - 6 1	FF6 - 1041 - 000	640 - 1 7	FG6 - 1875 - 000	810 - 5 2
FF5 - 7850 - 000	320 - 6 2	FF6 - 1046 - 000	351 - 2 2	B	J 1 5
FF5 - 7855 - 000	320 - 6 3	FF6 - 1049 - 000	325 - 2 6	FG6 - 1876 - 000	320 - 7 3
FF5 - 7860 - 000	810 - 4 9	FF6 - 1051 - 000	300 - 3 4	FG6 - 1879 - 000	320 - 7 4
FF5 - 7872 - 000	325 - 2 0	FF6 - 1052 - 000	300 - 3 4	FG6 - 1880 - 000	810 - 5 3
FF5 - 7875 - 000	325 - 2 1	FF6 - 1053 - 000	325 - 2 7	FG6 - 1881 - 000	810 - 5 4
FF5 - 7877 - 000	325 - 2 2	FF6 - 1054 - 000	300 - 3 5	FG6 - 1882 - 000	910 - 2
FF5 - 7878 - 000	325 - 2 3		302 - 3 4	FG6 - 1884 - 000	940 - 6
FF5 - 7880 - 000	320 - 6 4		303 - 3 8	FG6 - 1885 - 000	940 - 7
FF5 - 7881 - 000	320 - 6 5	FF6 - 1062 - 000	105 - 1 2	FG6 - 1887 - 000	910 - 3
FF5 - 7882 - 020	101 - 1 4	FF6 - 1067 - 000	100 - 6 0	FG6 - 1888 - 000	231 - 3
FF5 - 7883 - 000	210 - 1 9	FF6 - 1068 - 000	100 - 6 1	FG6 - 1889 - 020	275 - 3 0
FF5 - 7884 - 000	120 - 5	FF6 - 1082 - 000	810 - 5 0	FG6 - 1891 - 000	645 - 1 0
FF5 - 7891 - 020	580 - 2 1	FF6 - 1086 - 000	275 - 2 9	FG6 - 1892 - 000	101 - 1 9
FF5 - 7938 - 000	210 - 2 0	FF6 - 1087 - 000	810 - 5 1	FG6 - 1893 - 000	210 - 2 6
FF5 - 7942 - 000	100 - 5 6	FF6 - 1333 - 000	300 - 3 6	FG6 - 1895 - 000	194 - 2
FF5 - 7943 - 000	100 - 5 7	FF6 - 1336 - 000	101 - 1 8	FG6 - 1896 - 000	103 - 2 2
FF5 - 7944 - 000	320 - 6 6	FF6 - 1342 - 000	360 - 4 8	FG6 - 1898 - 000	190 - 1
FF5 - 7948 - 000	360 - 4 3	FF6 - 1858 - 000	360 - 4 9	FG6 - 1901 - 000	101 - 2 0
FF5 - 7949 - 000	360 - 4 4	FF6 - 1996 - 000	100 - 6 2	FG6 - 1904 - 000	107 - 1 2
FF5 - 8139 - 000	101 - 1 5	FF6 - 1997 - 000	100 - 6 2	B	J 1 1
FF5 - 8140 - 000	316 - 9	FF6 - 1998 - 000	100 - 6 2	B	J 1 5
FF5 - 8141 - 000	102 - 2 0	FF6 - 1999 - 000	100 - 6 2	FG6 - 1906 - 000	104 - 2 6
FF5 - 8147 - 000	102 - 2 1	FF6 - 2000 - 000	100 - 6 3		360 - 5 6
FF5 - 8150 - 000	302 - 3 0	FF6 - 2001 - 000	100 - 6 3	FG6 - 1941 - 000	104 - 2 7
	303 - 3 4	FF6 - 2002 - 000	100 - 6 3	FG6 - 1942 - 000	210 - 2 7
FF5 - 8151 - 000	302 - 3 1	FF6 - 2003 - 000	100 - 6 3	FG6 - 1943 - 000	420 - 1 8
	303 - 3 5	FF6 - 2004 - 000	100 - 6 4	FG6 - 1971 - 000	105 - 1 3
FF5 - 8152 - 000	101 - 1 6	FF9 - 1763 - 000	315 - 3 4	FG6 - 1987 - 000	195 -
FF5 - 8157 - 000	315 - 3 0	FF9 - 1764 - 000	315 - 3 5	FG6 - 1996 - 000	263 -
FF5 - 8194 - 000	102 - 2 2	FF9 - 1901 - 000	100 - 6 5	FG6 - 1997 - 000	194 -
	103 - 1 9	FF9 - 1909 - 000	210 - 2 1	FG6 - 2011 - 000	645 -
	325 - 2 4	FF9 - 1910 - 000	360 - 5 0	FG6 - 2017 - 000	230 -
FF5 - 8196 - 000	320 - 6 7	FF9 - 1913 - 000	311 - 5 6	FG6 - 2020 - 020	775 -
FF5 - 8200 - 000	360 - 4 5		312 - 4 7	FG6 - 2023 - 000	101 - 2 1
FF5 - 8202 - 000	360 - 4 6		313 - 3 7	FG6 - 2033 - 000	210 - 2 8
FF5 - 8652 - 000	360 - 4 7	FG1 - 3472 - 000	720 -	FG6 - 2036 - 060	420 -
FF5 - 8654 - 040	320 - 6 8	FG2 - 9195 - 000	305 - 1	FG6 - 2243 - 000	231 -
FF5 - 8655 - 000	275 - 2 7	FG2 - 9811 - 000	305 - 2	FG6 - 2247 - 000	190 -
FF5 - 8661 - 000	103 - 2 0	FG2 - 9921 - 000	305 - 2	FG6 - 2291 - 020	945 -
FF5 - 8732 - 000	275 - 2 8	FG3 - 1689 - 100	930 - 1	FG6 - 2305 - 000	102 - 2 4
FF5 - 8733 - 000	510 - 7	FG3 - 1690 - 030	935 - 1	FG6 - 2326 - 000	420 - 1 9
FF5 - 8736 - 000	320 - 6 9	FG3 - 1795 - 000	920 -	FG6 - 2328 - 000	101 - 2 2
FF5 - 8787 - 000	320 - 7 0	FG3 - 1796 - 000	130 - 1 7	FG6 - 2330 - 000	101 - 2 3
FF5 - 8796 - 000	325 - 2 5	FG3 - 1797 - 000	130 - 1 8	FG6 - 2331 - 000	102 - 2 5
FF5 - 8895 - 030	103 - 2 1	FG3 - 1798 - 000	130 - 1 9	FG6 - 2332 - 000	360 - 5 7
FF5 - 9416 - 000	315 - 3 1	FG3 - 1799 - 000	130 - 2 0	FG6 - 2334 - 000	104 - 2 8
FF5 - 9451 - 000	900 - 1 7	FG3 - 1800 - 000	130 - 2 1	FG6 - 2335 - 000	311 - 5 8
FF5 - 9547 - 000	101 - 1 7	FG3 - 2295 - 000	107 - 9	FG6 - 2340 - 000	460 - 5
FF5 - 9550 - 000	300 - 3 1	FG5 - 1957 - 000	107 - 1 0	FG6 - 2512 - 000	210 - 2 9
FF5 - 9551 - 000	315 - 3 2	FG5 - 1958 - 000	316 - 1 0	FG6 - 3568 - 000	600 - 4 9
FF5 - 9552 - 000	570 - 1 6	FG5 - 4449 - 050	261 -	B	J 2 7 2
FF5 - 9561 - 000	315 - 3 3	FG5 - 8221 - 000	107 - 1 1	FG6 - 3569 - 000	106 - 1 0
FF5 - 9784 - 000	311 - 5 5	FG5 - 9419 - 000	305 - 1 B	B	J 2 7 1
	312 - 4 6	FG6 - 1813 - 000	110 - 3	B	J 2 7 2
	313 - 3 6		111 - 2	FG6 - 3570 - 000	251 - 2
FF5 - 9791 - 000	302 - 3 2	FG6 - 1817 - 000	120 - 6	FG6 - 3572 - 000	264 - 3
FF5 - 9793 - 000	303 - 3 6	FG6 - 1818 - 000	770 - 6	FG6 - 4380 - 000	430 -
FF5 - 9811 - 000	211 - 2 9	FG6 - 1819 - 000	770 - 7	FG6 - 4852 - 000	431 -
FF5 - 9812 - 000	211 - 2 9	FG6 - 1820 - 000	770 - 8	FG6 - 4853 - 000	211 - 3 9

D1 NUMERICAL INDEX (iR8500/8500P/7200/7200P)

PART NUMBER	FIGURE & KEY NO.	PART NUMBER	FIGURE & KEY NO.	PART NUMBER	FIGURE & KEY NO.
FG6 - 4954 - 030	936 -	FG6 - 7289 - 000	810 -	FH2 - 6756 - 000	B - J 9 2 0 2
FG6 - 4970 - 000	211 - 4 0	FG6 - 7290 - 000	325 -	FH2 - 6807 - 000	106 - 13
FG6 - 4971 - 000	211 - 4 1	FG6 - 7291 - 000	320 -	FH2 - 6841 - 000	810 - 5 8
FG6 - 4973 - 000	211 - 3 9 A	FG6 - 7292 - 000	320 -	FH2 - 6842 - 000	130 - 2 4
FG6 - 4985 - 000	211 - 4 2	FG6 - 7293 - 000	320 -	FH2 - 6853 - 000	211 - 5 3
FG6 - 4988 - 000	211 - 4 3	FG6 - 7294 - 000	120 -		B - J 5 0 0 3
FG6 - 5176 - 000	130 - 2 2	FG6 - 7313 - 000	550 -		B - J 6 0 0 2
FG6 - 5475 - 000	211 - 4 4	FG6 - 7319 - 000	111 -	FH2 - 6855 - 000	B - J 3 6
FG6 - 5476 - 000	211 - 4 5	FG6 - 7320 - 000	111 -		B - J 7 5 5
FG6 - 5479 - 000	211 - 4 6	FG6 - 7325 - 000	251 -	FH2 - 6856 - 000	B - J 3 6
FG6 - 5480 - 000	211 - 4 7	FG6 - 7326 - 000	250 -		B - J 7 5 5
FG6 - 5917 - 000	211 - 4 8	FG6 - 7327 - 000	270 -	FH2 - 6898 - 000	210 - 3 3 E
FG6 - 5918 - 000	421 -	FG6 - 7328 - 000	280 -		B - J 1 1 0 8
FG6 - 5943 - 000	421 - 6	FG6 - 7329 - 000	260 -		B - J 1 5 0 3
FG6 - 5954 - 000	211 - 5 2 A	FG6 - 7330 - 000	264 -	FH2 - 6899 - 000	210 - 3 3 F
FG6 - 5955 - 000	211 - 5 2 B	FG6 - 7332 - 000	210 - 3 2		B - J 1 1 0 7
FG6 - 5956 - 000	211 - 4 9	FG6 - 7333 - 000	330 -		B - J 1 5 0 2
FG6 - 5957 - 000	211 - 5 0	FG6 - 7337 - 000	130 -	FH2 - 6900 - 000	900 - 1 8
FG6 - 5958 - 000	211 - 5 1	FG6 - 7338 - 000	130 -		B - J 1 3 0 2
FG6 - 5964 - 000	900 - 4	FG6 - 7339 - 000	130 -		B - J 1 4 5 2
FG6 - 6100 - 000	211 - 5 2	FG6 - 7345 - 000	600 -	FH2 - 6901 - 000	111 - 6
FG6 - 6853 - 000	900 - 5	FG6 - 7348 - 000	275 -	FH2 - 6919 - 000	111 - 7
FG6 - 6885 - 000	251 - 3	FG6 - 7363 - 000	360 -	FH2 - 6920 - 000	111 - 8
FG6 - 6903 - 000	250 - 8	FG6 - 7365 - 000	350 -	FH2 - 6921 - 000	111 - 9
FG6 - 7177 - 000	460 -	FG6 - 7366 - 000	351 -	FH2 - 9231 - 000	985 - 1
FG6 - 7185 - 000	570 - 1 8	FG6 - 7376 - 000	302 -		B - J 7 3 1
FG6 - 7200 - 000	810 - 5 5	FG6 - 7377 - 000	303 -		B - J 7 3 2
FG6 - 7201 - 000	106 - 1 1	FG6 - 7383 - 000	311 -		B - J 7 3 3
	B - J 1 4	FG6 - 7384 - 000	312 -	FH2 - 9232 - 000	106 - 1 4
	B - J 1 7	FG6 - 7385 - 000	313 -	FH2 - 9233 - 000	106 - 1 5
FG6 - 7202 - 000	215 - 2 3	FG6 - 7401 - 000	210 - 3 3	FH2 - 9235 - 000	106 - 1 6
FG6 - 7203 - 000	570 - 1 9	FG6 - 7405 - 000	935 - 2	FH2 - 9242 - 000	580 - 2 2
FG6 - 7204 - 000	600 - 5 0	FG6 - 7423 - 000	640 -	FH3 - 0242 - 000	940 - T 1
FG6 - 7206 - 000	111 - 3	FG6 - 7424 - 000	570 -	FH3 - 0665 - 000	910 - CT 3 0 1
FG6 - 7207 - 000	110 - 4	FG6 - 7428 - 000	940 -	FH3 - 0666 - 000	910 - CT 1 1 1
	111 - 4	FG6 - 7429 - 000	600 - 5 1		945 - T 1 0 0 2
FG6 - 7208 - 000	105 - 1 4	FG6 - 7738 - 000	925 -	FH3 - 0688 - 000	910 - L 5 0 1
FG6 - 7209 - 000	360 - 5 8	FG6 - 7740 - 000	580 -	FH3 - 0740 - 000	910 - T 9 3 1
	B - J 3 2 2	FG6 - 7745 - 000	810 - 5 6	FH3 - 0744 - 000	910 - T 3 0 1
	B - J 3 2 3	FG6 - 7747 - 000	770 -	FH3 - 0766 - 000	985 - T 6 0 1
	B - J 3 2 6	FG6 - 7748 - 000	810 - 5 7	FH3 - 0830 - 000	985 - T 7 0 1
	B - J 3 2 9	FG6 - 7752 - 000	275 -	FH3 - 0879 - 000	945 - T 1 0 0 1
	B - J 3 3 0	FG6 - 8625 - 000	900 - 1 6	FH3 - 0881 - 000	945 - T 1 0 0 3
	B - J 3 3 6	FG6 - 8738 - 000	320 - 7 5	FH3 - 0887 - 000	910 - L 1 1 2
	B - J 3 6 6	FG6 - 8904 - 000	130 -	FH3 - 0888 - 000	910 - T 9 0 1
	B - J 3 6 0 1	FG6 - 8905 - 000	130 -	FH3 - 0889 - 000	910 - L 2 5 1
	B - J 3 6 0 2	FG6 - 8906 - 000	130 -	FH3 - 0890 - 000	910 - L 3 5 1
	B - J 3 6 0 3	FG6 - 8913 - 000	985 -	FH3 - 0893 - 000	985 - T 1 0 1
FG6 - 7210 - 000	360 - 5 9	FG6 - 8918 - 000	110 -		985 - T 5 0 1
FG6 - 7211 - 000	106 - 1 2	FG6 - 8919 - 000	320 -		985 - T 8 0 1
FG6 - 7213 - 000	210 - 3 0	FG6 - 8920 - 000	810 -	FH3 - 0894 - 000	985 - T 3 0 1
FG6 - 7214 - 000	270 - 2	FG6 - 9113 - 000	315 -		985 - T 4 0 1
FG6 - 7215 - 000	900 - 6	FG6 - 9114 - 000	316 -	FH3 - 0932 - 000	936 - L 5 0 0 2
FG6 - 7216 - 000	900 - 7	FG6 - 9149 - 000	130 - 2 3	FH3 - 0936 - 000	960 - T 1
FG6 - 7217 - 000	900 - 8	FG6 - 9253 - 000	900 - 6	FH3 - 0937 - 000	960 - T 1
FG6 - 7218 - 000	900 - 9	FG9 - 3851 - 000	930 - 2	FH3 - 0938 - 000	960 - L 1
FG6 - 7220 - 000	980 - 1	FG9 - 3863 - 000	570 - 2 0		960 - L 2
FG6 - 7221 - 000	105 - 1 5	FG9 - 3903 - 000	980 -	FH3 - 0939 - 000	960 - L 1
FG6 - 7222 - 000	900 - 1 0	FH2 - 5006 - 000	020 - 1		960 - L 2
FG6 - 7223 - 000	210 - 3 2 B	FH2 - 5821 - 000	B - J 3 6	FH3 - 0961 - 000	925 - T 1
FG6 - 7237 - 000	910 -		B - J 7 5 5	FH3 - 5237 - 000	980 - T 1
FG6 - 7238 - 000	910 -	FH2 - 5825 - 000	B - J 3 6	FH3 - 7170 - 000	910 - L 1 1 1
FG6 - 7239 - 000	910 - 4		B - J 7 5 5		910 - L 1 5 1
FG6 - 7244 - 000	460 - 6	FH2 - 6452 - 000	210 - 3 4	FH3 - 7195 - 000	910 - L 4
FG6 - 7249 - 030	980 -		B - J 1 6 2	FH3 - 7202 - 000	945 - L 1 0 0 2
FG6 - 7251 - 000	985 -		B - J 1 6 3	FH3 - 7203 - 000	945 - L 1 0 0 1
FG6 - 7256 - 000	970 -	FH2 - 6453 - 000	420 - 2 0	FH3 - 7208 - 000	211 - 5 4
FG6 - 7258 - 000	900 - 1 1		B - J 1 6 3	FH4 - 1380 - 000	920 - Q 6 8 2 2
FG6 - 7260 - 000	210 - 3 1		B - J 1 6 4	FH4 - 3882 - 000	970 - I C 1 2
FG6 - 7261 - 000	107 - 1 3		B - J 1 6 6	FH4 - 3883 - 000	970 - I C 1 3
FG6 - 7263 - 000	960 -	FH2 - 6480 - 000	B - J 1 5 2	FH4 - 5855 - 000	936 - I C 5 0 0 5
FG6 - 7264 - 030	960 -		B - J 2 2 8	FH4 - 5904 - 000	970 - I C 2
FG6 - 7266 - 000	900 - 1 2		B - J 2 4 0	FH4 - 5905 - 000	970 - I C 3
FG6 - 7267 - 000	105 - 1 6		B - J 5 1 0 5	FH4 - 6019 - 000	940 - 8
FG6 - 7268 - 000	105 - 1 6	FH2 - 6552 - 000	110 - 6	FH4 - 6040 - 000	910 - Q 9 0 1
FG6 - 7269 - 000	110 -		111 - 5		910 - Q 9 3 1
FG6 - 7270 - 000	111 -		770 - 9	FH4 - 6085 - 000	900 - I C 1 0 0 9
FG6 - 7271 - 000	111 -	FH2 - 6569 - 000	110 - 7	FH4 - 6102 - 000	936 - I C 5 0 2 3
FG6 - 7273 - 000	360 - 6 0	FH2 - 6570 - 000	110 - 8	FH4 - 6123 - 000	900 - I C 1 0 0 3
FG6 - 7278 - 050	900 - 1 3	FH2 - 6574 - 000	210 - 3 5		930 - I C 4 0
FG6 - 7281 - 000	900 - 1 4		B - J 1 6 2		935 - I C 5
FG6 - 7284 - 000	900 - 1 5		B - J 8 5 2		936 - I C 5 0 2 1
FG6 - 7285 - 000	110 - 5		B - J 1 0 0 3	FH4 - 6135 - 000	935 - I C 4
FG6 - 7287 - 000	810 -	FH2 - 6756 - 000	900 - 1 7	FH4 - 6136 - 000	935 - I C 1 8
FG6 - 7288 - 000	810 -		B - J 1 1 0 4	FH4 - 6145 - 000	900 - I C 1 0 0 5

D1 NUMERICAL INDEX (iR8500/8500P/7200/7200P)

PART NUMBER	FIGURE & KEY NO.	PART NUMBER	FIGURE & KEY NO.	PART NUMBER	FIGURE & KEY NO.
FH4 - 6149 - 000	900 - I C 1 0 1 0	FH7 - 5837 - 000	360 - 6 5	FS2 - 1357 - 000	315 - 4 0
FH4 - 6151 - 000	900 - I C 1 0 0 6	FH7 - 5838 - 000	315 - 3 7	FS2 - 1463 - 000	600 - 5 5
FH4 - 6154 - 000	970 - I C 5	FH7 - 5839 - 000	311 - 6 1	FS2 - 2001 - 000	720 - 1 6
FH4 - 6156 - 000	930 - I C 3 2		313 - 4 0	FS2 - 2002 - 000	720 - 1 7
FH4 - 9157 - 000	985 - R 2 0 6	FH7 - 5840 - 000	645 - 1 2	FS2 - 2036 - 020	510 - 1 0
FH4 - 9181 - 000	940 - RA 1	FH7 - 5844 - 000	320 - 8 2	FS2 - 2058 - 000	720 - 1 8
FH5 - 3207 - 000	900 - 1 9	FH7 - 5895 - 000	320 - 8 3	FS2 - 2551 - 000	580 - 2 4
FH5 - 3270 - 000	900 - 1 9	FH7 - 6253 - 000	120 - 7	FS2 - 3488 - 000	360 - 6 9
FH6 - 0767 - 000	130 - 2 2 F	FH7 - 6327 - 000	105 - 1 9	FS2 - 3494 - 020	260 - 8
FH6 - 0768 - 000	130 - 2 2 G	FH7 - 6331 - 000	960 - RL 1		261 - 4
FH6 - 0784 - 000	130 - 2 5	FH7 - 7196 - 020	360 - 6 6		263 - 2
FH6 - 1135 - 000	550 - 1 7	FH7 - 7312 - 000	211 - 5 7	FS2 - 3495 - 000	250 - 1 0
	570 - 2 1		211 - 5 8		280 - 4
	580 - 2 3	FH7 - 7337 - 000	640 - 1 9	FS2 - 9001 - 000	215 - 2 6
FH6 - 1441 - 000	101 - 2 4		645 - 1 3		320 - 8 9
FH6 - 1538 - 000	275 - 3 1	FH7 - 7342 - 000	101 - 2 5	FS2 - 9267 - 000	210 - 4 6
FH6 - 1541 - 000	231 - 4	FH7 - 7386 - 000	211 - 5 9		320 - 9 0
FH6 - 1542 - 000	360 - 6 1	FH7 - 7423 - 000	210 - 3 9	FS2 - 9327 - 000	107 - 1 4
FH6 - 1543 - 000	645 - 1 1	FH7 - 7424 - 000	210 - 4 0	FS2 - 9343 - 000	103 - 2 4
FH6 - 1544 - 000	194 - 3		210 - 4 1		103 - 2 5
	210 - 3 6	FH7 - 7462 - 000	101 - 2 6	FS2 - 9410 - 000	770 - 1 1
FH6 - 1545 - 000	190 - 2		101 - 2 7	FS2 - 9428 - 000	302 - 3 5
FH6 - 1546 - 000	194 - 4		102 - 2 4 A		303 - 3 9
	910 - 5		102 - 2 6	FS2 - 9540 - 000	211 - 6 0
FH6 - 1547 - 000	210 - 3 7		103 - 2 3	FS2 - 9542 - 000	211 - 6 1
	215 - 2 4		210 - 4 2	FS3 - 0046 - 000	270 - 6
	600 - 5 2		210 - 4 3	FS3 - 0098 - 000	275 - 3 4
	600 - 5 3		231 - 5	FS3 - 0165 - 000	230 - 3
FH6 - 1548 - 000	320 - 7 6		275 - 3 2		260 - 9
FH6 - 1550 - 000	195 - 1		311 - 6 2	FS3 - 2044 - 000	107 - 1 5
FH6 - 1706 - 000	194 - 5		312 - 5 2	FS3 - 2053 - 000	810 - 6 9
FH6 - 1734 - 000	211 - 5 5		313 - 4 1	FS3 - 2159 - 000	320 - 9 1
FH6 - 1740 - 000	105 - 1 7		315 - 3 8	FS3 - 2886 - 020	600 - 5 6
FH6 - 1867 - 000	251 - 4		320 - 8 4	FS3 - 2887 - 000	600 - 5 7
FH6 - 1868 - 000	250 - 9		325 - 3 2	FS4 - 0012 - 000	302 - 3 6
FH6 - 1870 - 000	260 - 5		360 - 6 7		303 - 4 0
FH6 - 1872 - 000	320 - 7 7		770 - 1 0	FS4 - 0014 - 000	261 - 5
FH6 - 1875 - 000	360 - 6 2		810 - 6 1		264 - 7
FH6 - 1876 - 000	360 - 6 3	FH7 - 7464 - 000	810 - 6 2	FS4 - 0145 - 000	260 - 1 0
FH6 - 1877 - 000	105 - 1 8	FH7 - 7485 - 000	210 - 4 4		261 - 6
FH6 - 1878 - 000	900 - 2 0	FH7 - 7573 - 000	110 - 9	FS4 - 0157 - 000	270 - 7
FH6 - 1886 - 000	210 - 3 8	FH7 - 7574 - 000	110 - 9	FS4 - 0160 - 000	302 - 3 7
FH6 - 1889 - 000	320 - 7 8		111 - 1 0		303 - 4 1
	330 - 7	FH7 - 9308 - 000	910 - L 1 0 1	FS4 - 2048 - 000	320 - 9 2
FH6 - 3337 - 000	985 - R 5 5 1	FN5 - 4002 - 000	940 - 9	FS4 - 2136 - 000	302 - 3 8
	985 - R 5 6 1	FN5 - 4009 - 000	215 - 2 5		303 - 4 2
	985 - R 5 7 1	FS1 - 0542 - 000	320 - 8 5	FS5 - 0338 - 000	311 - 6 5
	985 - R 5 8 1	FS1 - 1189 - 000	230 - 2		312 - 5 5
	985 - R 8 5 1		260 - 6		313 - 4 5
	985 - R 8 5 7		263 - 1	FS5 - 0398 - 000	230 - 4
FH6 - 3993 - 000	510 - 8	FS1 - 1202 - 000	645 - 1 4	FS5 - 0514 - 000	102 - 2 9
FH6 - 3994 - 000	510 - 8	FS1 - 1401 - 000	350 - 1 9		263 - 3
FH6 - 5013 - 000	325 - 3 1		360 - 6 8		360 - 7 0
FH6 - 5014 - 000	264 - 4	FS1 - 1449 - 000	260 - 7	FS5 - 0532 - 000	300 - 3 7
	311 - 5 9		810 - 6 3	FS5 - 0714 - 000	360 - 7 1
	312 - 4 9	FS1 - 1503 - 000	645 - 1 5	FS5 - 1004 - 000	351 - 2 4
	320 - 7 9	FS1 - 1508 - 000	320 - 8 6	FS5 - 1372 - 000	350 - 2 0
	360 - 6 4	FS1 - 1510 - 000	275 - 3 3	FS5 - 1466 - 000	810 - 7 0
FH6 - 5015 - 000	270 - 3	FS1 - 1512 - 000	311 - 6 3	FS5 - 1467 - 020	106 - 1 7
FH6 - 5016 - 000	264 - 5		312 - 5 3		320 - 9 3
FH6 - 5017 - 000	270 - 4		313 - 4 2	FS5 - 1468 - 020	107 - 1 6
FH7 - 3347 - 000	420 - 2 1	FS1 - 1569 - 000	311 - 6 4	FS5 - 1474 - 000	320 - 9 4
FH7 - 3395 - 000	600 - 5 4		312 - 5 4	FS5 - 1787 - 000	104 - 2 9
FH7 - 4559 - 000	420 - 2 2		313 - 4 3	FS5 - 1795 - 000	600 - 5 8
FH7 - 4584 - 000	305 - 3		315 - 3 9	FS5 - 1796 - 000	275 - 3 5
FH7 - 4666 - 000	211 - 5 6		810 - 6 4	FS5 - 1798 - 000	105 - 2 0
FH7 - 4707 - 000	810 - 5 9	FS1 - 2370 - 000	810 - 6 5	FS5 - 1800 - 000	600 - 5 9
FH7 - 4708 - 000	810 - 5 9	FS1 - 2834 - 000	810 - 6 6	FS5 - 1801 - 000	600 - 6 0
FH7 - 4709 - 000	810 - 5 9	FS1 - 9002 - 000	210 - 4 5	FS5 - 1802 - 000	275 - 3 6
FH7 - 4710 - 000	810 - 6 0	FS1 - 9009 - 000	430 - 1 2	FS5 - 1803 - 000	320 - 9 5
FH7 - 4711 - 000	810 - 6 0	FS1 - 9051 - 000	810 - 6 7	FS5 - 1804 - 000	107 - 1 7
FH7 - 4712 - 000	810 - 6 0	FS1 - 9199 - 000	320 - 8 7	FS5 - 2322 - 000	107 - 1 8
FH7 - 4713 - 000	510 - 9		351 - 2 3	FS5 - 2323 - 020	107 - 1 9
FH7 - 4714 - 000	510 - 9	FS2 - 0088 - 000	720 - 1 2	FS5 - 2328 - 000	300 - 3 8
FH7 - 4715 - 000	510 - 9	FS2 - 0089 - 000	720 - 1 3	FS5 - 2650 - 000	300 - 3 9
FH7 - 4729 - 000	810 - 5 9	FS2 - 0090 - 000	720 - 1 4	FS5 - 2901 - 000	275 - 3 7
FH7 - 4730 - 000	810 - 6 0	FS2 - 0091 - 000	720 - 1 5	FS5 - 2907 - 020	320 - 9 6
FH7 - 5702 - 000	311 - 6 0	FS2 - 0441 - 000	320 - 8 8	FS5 - 2911 - 000	312 - 5 6
FH7 - 5826 - 000	230 - 1	FS2 - 0485 - 000	270 - 5	FS5 - 2913 - 000	311 - 6 6
	264 - 6	FS2 - 0544 - 000	313 - 4 4		312 - 5 7
	312 - 5 0	FS2 - 0566 - 000	102 - 2 7	FS5 - 2914 - 000	312 - 5 8
FH7 - 5827 - 000	312 - 5 1		102 - 2 8	FS5 - 2919 - 000	313 - 4 6
	313 - 3 9	FS2 - 0875 - 000	645 - 1 6	FS5 - 2921 - 000	100 - 6 6
FH7 - 5834 - 000	320 - 8 0	FS2 - 1014 - 000	640 - 2 0		100 - 6 7
FH7 - 5835 - 000	320 - 8 1	FS2 - 1256 - 000	810 - 6 8	FS5 - 2922 - 000	100 - 6 8

D1 NUMERICAL INDEX (iR8500/8500P/7200/7200P)

PART NUMBER	FIGURE & KEY NO.	PART NUMBER	FIGURE & KEY NO.	PART NUMBER	FIGURE & KEY NO.
FS5 - 2922 - 000	100 - 69	FS6 - 0055 - 000	261 - 7	FS6 - 2826 - 000	100 - 70
FS5 - 2928 - 000	120 - 8	FS6 - 0056 - 000	260 - 12		100 - 71
FS5 - 2940 - 000	810 - 71		261 - 8	FS6 - 2828 - 000	102 - 33
FS5 - 2941 - 000	810 - 72		263 - 4	FS6 - 2830 - 000	360 - 89
FS5 - 2943 - 000	320 - 97		270 - 10	FS6 - 2831 - 000	360 - 90
FS5 - 2944 - 000	351 - 25		311 - 71	FS6 - 2832 - 000	360 - 91
FS5 - 2946 - 000	350 - 21		312 - 60	FS6 - 2833 - 000	320 - 119
FS5 - 2947 - 000	320 - 98		325 - 34	FS6 - 2847 - 000	104 - 32
FS5 - 2949 - 000	320 - 99	FS6 - 0062 - 000	260 - 13	FS6 - 2885 - 000	351 - 29
FS5 - 2950 - 000	810 - 73	FS6 - 0070 - 000	360 - 80	FS6 - 2886 - 000	351 - 30
FS5 - 2953 - 020	350 - 22	FS6 - 0081 - 000	320 - 108	FS6 - 2887 - 000	275 - 41
FS5 - 2958 - 000	101 - 28	FS6 - 0096 - 000	260 - 14	FS6 - 2888 - 000	102 - 34
FS5 - 2959 - 000	280 - 5	FS6 - 0103 - 000	810 - 77	FS6 - 2889 - 000	102 - 35
FS5 - 2964 - 000	107 - 12 A	FS6 - 0105 - 000	810 - 78	FS6 - 2892 - 000	315 - 43
FS5 - 2965 - 000	107 - 20	FS6 - 0106 - 000	810 - 79	FS6 - 2893 - 000	315 - 44
	107 - 21	FS6 - 0115 - 000	550 - 18	FS6 - 2894 - 000	210 - 52
FS5 - 2967 - 000	320 - 100		570 - 22	FS6 - 2913 - 000	211 - 65
FS5 - 2978 - 000	250 - 11		580 - 25	FS6 - 2980 - 000	360 - 92
FS5 - 2982 - 000	351 - 26	FS6 - 0121 - 000	600 - 61	FS6 - 2981 - 000	600 - 72
FS5 - 3177 - 000	316 - 11	FS6 - 0134 - 000	810 - 80	FS6 - 2982 - 000	320 - 120
FS5 - 3331 - 000	315 - 41	FS6 - 0136 - 000	600 - 62	FS6 - 2983 - 000	302 - 40
FS5 - 3337 - 020	260 - 11	FS6 - 0138 - 000	600 - 63		303 - 44
FS5 - 3609 - 000	250 - 12	FS6 - 0145 - 000	360 - 81	FS6 - 2984 - 000	302 - 41
FS5 - 3610 - 000	280 - 6	FS6 - 0557 - 000	360 - 82		303 - 45
FS5 - 3612 - 000	250 - 13	FS6 - 0857 - 000	640 - 23	FS6 - 2985 - 000	315 - 45
	360 - 72	FS6 - 0899 - 000	320 - 109	FS6 - 2989 - 000	360 - 93
FS5 - 3613 - 000	360 - 73	FS6 - 0972 - 000	600 - 64	FS6 - 2990 - 000	810 - 81
FS5 - 3614 - 000	360 - 74	FS6 - 0973 - 000	600 - 65	FS6 - 2991 - 000	600 - 73
FS5 - 3615 - 000	320 - 101	FS6 - 0975 - 000	600 - 66	FS6 - 2992 - 000	360 - 94
FS5 - 3616 - 000	360 - 75	FS6 - 0976 - 000	600 - 67	FS6 - 2994 - 000	600 - 74
FS5 - 3617 - 000	360 - 76	FS6 - 0977 - 000	600 - 68	FS6 - 2996 - 000	311 - 76
FS5 - 3804 - 000	211 - 33 A	FS6 - 0978 - 000	600 - 69	FS6 - 2997 - 000	312 - 62
FS5 - 3889 - 000	270 - 8	FS6 - 0979 - 000	640 - 24	FS6 - 2998 - 000	275 - 42
FS5 - 3890 - 000	250 - 14	FS6 - 0980 - 000	640 - 25	FS6 - 2999 - 000	260 - 16
	280 - 7	FS6 - 0981 - 000	640 - 26	FS6 - 4243 - 000	104 - 33
FS5 - 6329 - 000	320 - 102	FS6 - 0982 - 000	640 - 27		104 - 34
FS5 - 6487 - 000	250 - 15	FS6 - 0983 - 000	640 - 28	FS6 - 8386 - 000	320 - 59 A
	320 - 103	FS6 - 0984 - 000	640 - 29	FS6 - 8387 - 000	320 - 67 A
	320 - 104	FS6 - 0985 - 000	640 - 30	FS6 - 8399 - 000	600 - 75
	325 - 33	FS6 - 0988 - 000	645 - 17	FS6 - 8411 - 000	300 - 44
	360 - 77	FS6 - 0989 - 000	645 - 18	FS6 - 8703 - 000	320 - 68 A
FS5 - 6488 - 000	270 - 9	FS6 - 0990 - 000	645 - 19	FS6 - 8704 - 000	360 - 47 A
	280 - 8	FS6 - 0991 - 000	320 - 110	FS6 - 8705 - 000	316 - 12
	320 - 105	FS6 - 0992 - 000	320 - 111	FS6 - 8706 - 000	316 - 12
	360 - 78	FS6 - 0993 - 000	320 - 112	FS6 - 8707 - 000	316 - 12
FS5 - 6574 - 000	640 - 21	FS6 - 0994 - 000	320 - 113	FS6 - 8708 - 000	316 - 12
FS5 - 6575 - 000	320 - 106	FS6 - 0995 - 000	320 - 114	FS6 - 8709 - 000	316 - 9 A
FS5 - 6579 - 000	640 - 22	FS6 - 0996 - 000	320 - 115	FS6 - 8820 - 000	105 - 21
FS5 - 6581 - 000	315 - 42	FS6 - 0997 - 000	320 - 116		460 - 7
FS5 - 6582 - 000	102 - 30	FS6 - 0998 - 000	320 - 117	FS6 - 8821 - 000	101 - 31
	102 - 31	FS6 - 0999 - 000	320 - 118	FS6 - 8822 - 000	101 - 31
FS5 - 6583 - 000	810 - 74	FS6 - 2341 - 000	421 - 7	FS6 - 8823 - 000	100 - 72
FS5 - 6684 - 000	210 - 47	FS6 - 2667 - 000	104 - 30	FS6 - 8980 - 000	300 - 45
FS5 - 7128 - 000	107 - 22		104 - 31	FS6 - 8981 - 000	302 - 42
FS5 - 8618 - 000	300 - 30 A	FS6 - 2668 - 000	311 - 72	FS6 - 8982 - 000	300 - 46
	302 - 39	FS6 - 2670 - 000	311 - 73	FS6 - 8990 - 000	300 - 47
	303 - 43	FS6 - 2678 - 000	311 - 74	FS6 - 8991 - 000	211 - 66
FS5 - 8619 - 000	300 - 31 B		312 - 61	FS6 - 8992 - 000	100 - 73
FS5 - 8623 - 000	105 - 21		313 - 48	FS7 - 0002 - 000	320 - 121
	460 - 7	FS6 - 2691 - 000	300 - 40	FS7 - 0006 - 000	320 - 122
FS5 - 9166 - 000	101 - 29	FS6 - 2692 - 000	300 - 41	FS7 - 0007 - 000	810 - 82
FS5 - 9210 - 000	320 - 107	FS6 - 2693 - 000	300 - 42	FS7 - 0008 - 000	810 - 83
FS5 - 9214 - 000	985 - 2	FS6 - 2694 - 000	300 - 43	FS7 - 0010 - 000	251 - 5
FS5 - 9216 - 000	101 - 30	FS6 - 2737 - 000	210 - 50	FS7 - 0011 - 000	106 - 18
FS5 - 9219 - 000	210 - 48	FS6 - 2742 - 000	311 - 75	FS7 - 0012 - 000	250 - 16
FS5 - 9221 - 000	360 - 79	FS6 - 2748 - 000	600 - 70	FS7 - 0014 - 000	250 - 17
FS5 - 9227 - 000	211 - 62	FS6 - 2749 - 000	600 - 71	FS7 - 0015 - 000	270 - 11
FS5 - 9277 - 000	351 - 27	FS6 - 2750 - 000	640 - 31	FS7 - 0016 - 000	250 - 18
FS5 - 9282 - 000	107 - 12 B	FS6 - 2751 - 000	640 - 32	FS7 - 0017 - 000	250 - 19
	107 - 23	FS6 - 2752 - 000	280 - 9	FS7 - 0018 - 000	250 - 20
	107 - 24	FS6 - 2756 - 000	775 - 9	FS7 - 0019 - 000	250 - 21
FS5 - 9284 - 000	351 - 28	FS6 - 2759 - 000	940 - 10	FS7 - 0020 - 000	280 - 10
FS5 - 9398 - 000	770 - 12	FS6 - 2760 - 000	770 - 13	FS7 - 0021 - 000	280 - 11
FS5 - 9491 - 000	210 - 49	FS6 - 2761 - 000	210 - 51	FS7 - 0022 - 000	280 - 12
FS5 - 9619 - 000	810 - 75	FS6 - 2763 - 000	275 - 38	FS7 - 0023 - 000	280 - 13
FS5 - 9642 - 000	211 - 63	FS6 - 2764 - 000	275 - 39	FS7 - 0024 - 000	280 - 14
FS5 - 9665 - 000	211 - 64	FS6 - 2769 - 000	360 - 83	FS7 - 0025 - 000	280 - 15
FS5 - 9752 - 000	810 - 76	FS6 - 2770 - 000	360 - 84	FS7 - 0026 - 000	280 - 16
FS6 - 0048 - 000	311 - 67	FS6 - 2771 - 000	360 - 85	FS7 - 0027 - 000	775 - 10
FS6 - 0049 - 000	311 - 68	FS6 - 2772 - 000	360 - 86	FS7 - 0033 - 000	264 - 9
FS6 - 0051 - 000	311 - 69	FS6 - 2773 - 000	360 - 87	FS7 - 0034 - 000	264 - 10
FS6 - 0053 - 020	264 - 8	FS6 - 2774 - 000	275 - 40	FS7 - 0035 - 020	260 - 17
	311 - 70	FS6 - 2776 - 000	260 - 15	FS7 - 0036 - 000	260 - 18
	312 - 59	FS6 - 2777 - 000	360 - 88	FS7 - 0039 - 000	315 - 46
	313 - 47	FS6 - 2825 - 000	102 - 32	FS7 - 0040 - 000	315 - 47

D1 NUMERICAL INDEX (iR8500/8500P/7200/7200P)

PART NUMBER	FIGURE & KEY NO.	PART NUMBER	FIGURE & KEY NO.	PART NUMBER	FIGURE & KEY NO.
FS7 - 0041 - 000	315 - 4 8	VS1 - 5057 - 002	270 - 13	VS1 - 5057 - 003	645 - 10 B
FS7 - 0043 - 000	275 - 4 3		275 - 30 A		770 - 8 A
FS7 - 0044 - 000	275 - 4 4		311 - 57 A		810 - 54 B
FS7 - 0048 - 000	600 - 7 6		311 - 58 A		B - J 101
FS7 - 0050 - 000	600 - 7 7		312 - 48 B		B - J 103
FS7 - 0051 - 000	275 - 4 5		313 - 38 B		B - J 113
FS7 - 0072 - 000	270 - 1 2		320 - 12 4		B - J 114
FS7 - 0662 - 000	303 - 4 6		320 - 12 5		B - J 118
FS7 - 0891 - 000	810 - 8 4		325 - 28 A		B - J 119
FS7 - 0893 - 000	810 - 8 5		360 - 51 A		B - J 120
FS7 - 0894 - 000	810 - 8 6		550 - 20		B - J 122
FS7 - 0895 - 000	810 - 8 7		550 - 21		B - J 123
FS7 - 0896 - 000	250 - 2 2		570 - 23		B - J 128
FS7 - 0897 - 000	250 - 2 3		580 - 27		B - J 129
FS7 - 0898 - 000	250 - 2 4		600 - 7 8		B - J 136
FS7 - 0899 - 000	320 - 12 3		645 - 10 A		B - J 137
FS7 - 0901 - 000	325 - 3 5		810 - 54 A		B - J 139
FS7 - 0903 - 000	360 - 9 5		B - J 4 8		B - J 140
FS7 - 2057 - 000	315 - 4 9		B - J 104		B - J 142
FS7 - 2319 - 000	350 - 2 3		B - J 105		B - J 144
FS7 - 2324 - 000	211 - 6 7		B - J 111		B - J 175
FS7 - 2522 - 000	350 - 2 4		B - J 125		B - J 191
FS7 - 2523 - 000	810 - 8 8		B - J 141		B - J 202
FS7 - 2524 - 000	810 - 8 9		B - J 143		B - J 203
FS7 - 2530 - 000	810 - 9 0		B - J 186		B - J 205
FS7 - 2531 - 000	250 - 2 5		B - J 190		B - J 209
FS7 - 2532 - 000	104 - 3 5		B - J 195		B - J 210
FS7 - 2533 - 000	313 - 4 9		B - J 196		B - J 222
FS7 - 5687 - 000	303 - 4 7		B - J 200		B - J 225
FS7 - 8109 - 000	210 - 3 3 G		B - J 207		B - J 227
FS7 - 8317 - 000	100 - 6 2 A		B - J 217		B - J 241
FS7 - 8318 - 000	100 - 6 2 A		B - J 230		B - J 256
FS7 - 8319 - 000	100 - 6 2 A		B - J 231		B - J 261
FS7 - 8320 - 000	100 - 6 2 A		B - J 234		B - J 265
FS7 - 8321 - 000	100 - 6 3 A		B - J 242		B - J 294
FS7 - 8322 - 000	100 - 6 3 A		B - J 245		B - J 303
FS7 - 8323 - 000	100 - 6 3 A		B - J 251		B - J 334
FS7 - 8324 - 000	100 - 6 3 A		B - J 252		B - J 336
FS7 - 8325 - 000	105 - 2 2		B - J 253		B - J 338
FS7 - 8326 - 000	105 - 2 2		B - J 254		B - J 340
FS8 - 8194 - 000	100 - 7 4		B - J 255		B - J 342
FY1 - 0883 - 000	550 - 1 9		B - J 264		B - J 363
FY1 - 1157 - 000	810 - 9 1		B - J 282		B - J 364
FY9 - 3014 - 000	020 - 2		B - J 283		B - J 5052
FY9 - 3040 - 020	020 - 3		B - J 289		B - J 5053
FY9 - 3041 - 000	020 - 4		B - J 293	VS1 - 5057 - 004	101 - 19 A
RA1 - 7807 - 000	316 - 1 3		B - J 301		105 - 24
RH2 - 5191 - 000	211 - 6 8		B - J 306		107 - 11 A
RH2 - 5283 - 000	B - J 4 7		B - J 307		215 - 22 A
	B - J 112		B - J 313		320 - 74 B
	B - J 246		B - J 320		600 - 50 A
	B - J 16		B - J 321		B - J 116
RH2 - 5339 - 000	985 - T 2 0 2		B - J 331		B - J 130
RH3 - 0071 - 000	910 - L 3 0 1		B - J 332		B - J 146
RH6 - 3148 - 000	960 - SK 1		B - J 333		B - J 204
RH6 - 3434 - 000	960 - SK 2		B - J 362		B - J 257
	960 - SK 3		B - J 365		B - J 266
	960 - SK 4	VS1 - 5057 - 003	101 - 20 B		B - J 291
RS6 - 0057 - 000	251 - 6		101 - 23 A		B - J 348
RY1 - 1502 - 000	580 - 2 6		102 - 36	VS1 - 5057 - 005	110 - 3 B
VD5 - 0322 - 501	960 - FU 1		103 - 22 A		111 - 2 B
VD7 - 0213 - 001	105 - 16 A		104 - 36		B - J 151
VD7 - 0461 - 502	910 - FU10 1		105 - 23	VS1 - 5057 - 006	210 - 23 A
VD7 - 0646 - 301	910 - FU10 1		107 - 25		215 - 22 B
VD7 - 1621 - 001	945 - FU10 0 2		190 - 1 A		231 - 3 A
VD7 - 1622 - 001	210 - 27 A		195 - 2		360 - 58 A
	925 - FU 1		210 - 22 A		360 - 59 A
VD7 - 1624 - 000	945 - FU10 0 1		210 - 24 A		810 - 54 C
VD7 - 1832 - 501	960 - FU 2		210 - 25 A		940 - 7 A
VS1 - 0279 - 003	B - J 33 5		210 - 53		B - J 108
VS1 - 0279 - 004	B - J 2		211 - 47 A		B - J 168
VS1 - 0279 - 005	B - J 1		211 - 69		B - J 211
VS1 - 0280 - 004	B - J 41 2		215 - 27		B - J 213
VS1 - 0842 - 002	B - CN 1		315 - 36 A		B - J 214
VS1 - 0842 - 003	B - J 68 0 4		316 - 14		B - J 258
VS1 - 0842 - 006	B - J 10 8		320 - 72 A		B - J 268
VS1 - 5057 - 002	101 - 20 A		320 - 74 A		B - J 324
	110 - 3 A		320 - 12 6	VS1 - 5057 - 007	210 - 32 C
	111 - 2 A		320 - 12 7		270 - 2 B
	120 - 9		360 - 51 B		275 - 46
	230 - 5		360 - 52 A		325 - 28 B
	251 - 3 A		360 - 54 A		360 - 59 B
	264 - 3 A		360 - 55 A		770 - 7 A
	264 - 11		600 - 7 9		B - J 172
	270 - 2 A		600 - 8 0		B - J 198

D1 NUMERICAL INDEX (iR8500/8500P/7200/7200P)

PART NUMBER	FIGURE & KEY NO.	PART NUMBER	FIGURE & KEY NO.	PART NUMBER	FIGURE & KEY NO.
VS1 - 5057 - 007	B - J 239 B - J 243 B - J 249 B - J 250 B - J 325	VS1 - 6313 - 014	B - J 512 B - J 514 B - J 1453	VS1 - 6314 - 013	B - J 403 B - J 509 B - J 513
VS1 - 5057 - 009	360 - 51C B - J 330	VS1 - 6313 - 015	B - J 502	VS1 - 6314 - 014	B - J 121 B - J 124 B - J 504 B - J 506 B - J 512 B - J 514 B - J 1453
VS1 - 5057 - 012	315 - 50 B - J 224	VS1 - 6313 - 018	B - J 405 B - J 1018 B - J 6801	VS1 - 6314 - 015	B - J 502
VS1 - 5452 - 007	B - J 152 B - J 240 B - J 5010 B - J 5105	VS1 - 6313 - 020	107 - 28 320 - 129 B - J 180 B - J 508	VS1 - 6314 - 016	B - J 510 B - J 723 B - J 1303 B - J 407 B - J 505 B - J 1461 B - J 405
VS1 - 5452 - 008	B - J 228	VS1 - 6314 - 002	B - J 216	VS1 - 6314 - 017	B - J 505
VS1 - 5729 - 002	B - J 23 B - J 42 B - J 43 B - J 46 B - J 56 B - J 271 B - J 9009	VS1 - 6314 - 003	B - J 177 B - J 326 B - J 346 B - J 347 B - J 1021 B - J 1728	VS1 - 6314 - 018	B - J 407
VS1 - 5729 - 004	B - J 30 B - J 8500	VS1 - 6314 - 004	B - J 343 B - J 366 B - J 401 B - J 523 B - J 1061 B - J 1113 B - J 5006 B - J 9203	VS1 - 6314 - 020	107 - 31 320 - 131 B - J 180 B - J 508
VS1 - 5729 - 007	B - J 28	VS1 - 6314 - 005	B - J 408 B - J 409 B - J 3701 B - J 5007 B - J 5062	VS1 - 6318 - 002	270 - 2C B - J 216
VS1 - 5824 - 002	B - J 48 B - J 245 B - J 244 B - J 334	VS1 - 6314 - 006	B - J 135 B - J 155 B - J 192 B - J 1304 B - J 5012 B - J 6605 B - J 6807	VS1 - 6318 - 003	210 - 32D 360 - 51D B - J 177 B - J 326 B - J 346 B - J 347
VS1 - 5824 - 003	B - J 108 B - J 243 B - J 248	VS1 - 6314 - 007	B - J 173 B - J 526 B - J 344 B - J 507 B - J 6808 B - J 6901	VS1 - 6318 - 004	215 - 22C 360 - 57A 900 - 7A B - J 343 B - J 366 B - J 401
VS1 - 5824 - 006	B - J 1027 B - J 1722	VS1 - 6314 - 008	B - J 135 B - J 155 B - J 192 B - J 1304 B - J 5012 B - J 6605 B - J 6807	VS1 - 6318 - 005	211 - 70 900 - 8A B - J 408 B - J 5062
VS1 - 5824 - 007	B - J 1715 B - J 5008 B - J 5503	VS1 - 6314 - 009	B - J 131 B - J 402 B - J 1006 B - J 167 B - J 187 B - J 314 B - J 503 B - J 518 B - J 1024 B - J 1110 B - J 1719 B - J 6602 B - J 6805	VS1 - 6318 - 006	210 - 25B 810 - 55A 910 - 3A B - J 135 B - J 155 B - J 192
VS1 - 6302 - 002	B - J 721 B - J 791 B - J 1058 B - J 1305	VS1 - 6314 - 010	B - J 507 B - J 518 B - J 281 B - J 290 B - J 305 B - J 404 B - J 515 B - J 517 B - J 517 B - J 1023 B - J 6601 B - J 6806 B - J 9001	VS1 - 6318 - 007	900 - 8B B - J 173 B - J 344 194 - 2A 900 - 7B B - J 131 B - J 402
VS1 - 6302 - 003	B - J 721 B - J 791 B - J 1058 B - J 1305	VS1 - 6314 - 011	B - J 167 B - J 187 B - J 314 B - J 503 B - J 518 B - J 1024 B - J 1110 B - J 1719 B - J 6602 B - J 6805	VS1 - 6318 - 008	215 - 22C 360 - 57A 900 - 7A B - J 343 B - J 366 B - J 401
VS1 - 6302 - 004	B - J 721 B - J 791 B - J 1058 B - J 1305	VS1 - 6314 - 012	B - J 281 B - J 290 B - J 305 B - J 404 B - J 515 B - J 517 B - J 517 B - J 1023 B - J 6601 B - J 6806 B - J 9001	VS1 - 6318 - 009	211 - 70 900 - 8A B - J 408 B - J 5062
VS1 - 6302 - 005	B - J 165 B - J 722 B - J 741	VS1 - 6314 - 013	B - J 229 B - J 322 B - J 511 B - J 516 B - J 519 B - J 1019 B - J 1109	VS1 - 6318 - 010	810 - 54D B - J 187 900 - 8C B - J 404
VS1 - 6302 - 006	B - J 783	VS1 - 6314 - 014	107 - 27 320 - 128 B - J 158 B - J 197 B - J 509 B - J 513 B - J 1019 B - J 1109	VS1 - 6318 - 011	360 - 59C B - J 323 B - J 138 B - J 403 B - J 124
VS1 - 6302 - 008	B - J 1101 B - J 1501 B - J 1712 B - J 1720	VS1 - 6314 - 015	B - J 121 B - J 506	VS1 - 6318 - 012	313 - 38C B - J 167 B - J 314
VS1 - 6302 - 009	B - J 1102 B - J 1723	VS1 - 6314 - 016	107 - 29 B - J 229 B - J 322 B - J 511 B - J 516 B - J 519 B - J 1112	VS1 - 6318 - 013	101 - 32 311 - 77 B - J 281 B - J 305
VS1 - 6302 - 011	B - J 763	VS1 - 6314 - 017	107 - 30 320 - 130 B - J 138 B - J 158 B - J 197	VS1 - 6318 - 014	810 - 54D B - J 187 900 - 8C B - J 404
VS1 - 6302 - 012	B - J 1714	VS1 - 6314 - 018		VS1 - 6318 - 015	360 - 59C B - J 323 B - J 138 B - J 403 B - J 124
VS1 - 6302 - 013	B - J 1721	VS1 - 6314 - 019		VS1 - 6318 - 016	194 - 2A 900 - 7B B - J 131 B - J 402
VS1 - 6302 - 015	B - J 1020 B - J 1716	VS1 - 6314 - 020		VS1 - 6318 - 017	810 - 54D B - J 187 900 - 8C B - J 404
VS1 - 6304 - 003	B - J 164			VS1 - 6318 - 018	360 - 59C B - J 323 B - J 138 B - J 403 B - J 124
VS1 - 6313 - 005	B - J 5101			VS1 - 6318 - 019	313 - 38C B - J 167 B - J 314
VS1 - 6313 - 008	B - J 507 B - J 167 B - J 314 B - J 503 B - J 518 B - J 1110			VS1 - 6318 - 020	101 - 32 311 - 77 B - J 281 B - J 305
VS1 - 6313 - 010	B - J 314 B - J 503 B - J 518 B - J 1110			VS1 - 6318 - 021	312 - 63 B - J 229 210 - 54 B - J 158
VS1 - 6313 - 011	B - J 281 B - J 290 B - J 305 B - J 515 B - J 517			VS1 - 6318 - 022	900 - 8D B - J 121 B - J 407 B - J 405 B - J 230 B - J 283 B - J 307 B - J 119 B - J 170 B - J 188 B - J 189 B - J 236
VS1 - 6313 - 012	107 - 26 B - J 229 B - J 322 B - J 323 B - J 511 B - J 516 B - J 519			VS1 - 6318 - 023	
VS1 - 6313 - 013	107 - 27 320 - 128 B - J 158 B - J 197 B - J 509 B - J 513 B - J 1019 B - J 1109			VS1 - 6318 - 024	
VS1 - 6313 - 014	B - J 121 B - J 506			VS1 - 6318 - 025	

D1 NUMERICAL INDEX (iR8500/8500P/7200/7200P)

PART NUMBER	FIGURE & KEY NO.	PART NUMBER	FIGURE & KEY NO.	PART NUMBER	FIGURE & KEY NO.
VS1 - 6320 - 003	B - J 287 B - J 318 B - J 5057	VS1 - 6321 - 003	B - J 203 B - J 205 B - J 208	VS1 - 6321 - 006	B - J 214 B - J 258 B - J 268
VS1 - 6320 - 006	B - J 211 B - J 324		B - J 209 B - J 210 B - J 222		B - J 652 B - J 1022 B - J 1114
VS1 - 6320 - 007	B - J 325		B - J 223 B - J 225 B - J 226	VS1 - 6321 - 007	B - J 172 B - J 198 B - J 239
VS1 - 6321 - 002	B - J 48 B - J 104 B - J 105 B - J 111 B - J 125 B - J 141 B - J 143 B - J 149 B - J 150 B - J 186 B - J 190 B - J 195 B - J 196 B - J 200 B - J 206 B - J 207 B - J 217 B - J 231 B - J 234 B - J 242 B - J 251 B - J 252 B - J 253 B - J 254 B - J 255 B - J 263 B - J 264 B - J 267 B - J 282 B - J 289 B - J 293 B - J 301 B - J 306 B - J 313 B - J 320 B - J 321 B - J 331 B - J 332 B - J 333 B - J 362 B - J 365		B - J 232 B - J 233 B - J 235 B - J 237 B - J 238 B - J 241 B - J 256 B - J 259 B - J 260 B - J 261 B - J 262 B - J 265 B - J 269 B - J 270 B - J 284 B - J 285 B - J 286 B - J 288 B - J 292 B - J 294 B - J 295 B - J 296 B - J 303 B - J 304 B - J 308 B - J 309 B - J 310 B - J 311 B - J 312 B - J 315 B - J 316 B - J 317 B - J 319 B - J 327 B - J 328 B - J 334 B - J 336 B - J 337 B - J 338 B - J 339 B - J 340 B - J 341 B - J 342 B - J 363 B - J 364 B - J 784 B - J 804 B - J 1727 B - J 3605 B - J 3606 B - J 5052 B - J 5053 B - J 5056		B - J 243 B - J 249 B - J 250 B - J 1002 B - J 330 B - J 224 B - J 792 B - J 802 320 - J 132 B - J 197 320 - J 133 B - J 180 107 - J 32 B - J 322 107 - J 33 B - J 197 107 - J 34 B - J 180 B - J 37 B - J 35 B - J 55 B - J 37 B - J 247 B - J 32 B - J 35 B - J 55 B - J 4 B - J 26 B - J 1 B - J 781 B - J 6 B - J 12 B - J 13 B - J 24 B - J 1014 B - J 5004 B - J 5501 B - J 9201 B - J 32 B - J 1017 B - J 1551 B - J 50 B - J 50 B - J 764 B - J 23 B - J 42 B - J 43 B - J 46 B - J 56 B - J 601 B - J 611 B - J 621 B - J 651 B - J 737 B - J 1001 B - J 5005 B - J 9009 B - J 3 B - J 761 B - J 5602 B - J 30 B - J 851 B - J 943 B - J 1454 B - J 5002 B - J 6001 B - J 8500 B - J 1726 B - J 501 B - J 782 B - J 2 B - J 28 B - J 701 B - J 801 B - J 1718 B - J 1724
	B - J 191 B - J 194 B - J 199 B - J 202		B - J 213		
		VS1 - 6321 - 004	B - J 3 B - J 116 B - J 130 B - J 146 B - J 204 B - J 257 B - J 266 B - J 291 B - J 348 B - J 411 B - J 762 B - J 785 B - J 1060		
		VS1 - 6321 - 005	B - J 151 B - J 302 B - J 602 B - J 612 B - J 622 B - J 853 B - J 168 B - J 211 B - J 213		
		VS1 - 6321 - 006			
				VS3 - 5083 - 003	B - J 5083 - 003
				VS3 - 5083 - 004	B - J 5083 - 004
				VS3 - 5083 - 005	B - J 5083 - 005
				VS3 - 5083 - 006	B - J 5083 - 006
				VS3 - 5083 - 007	B - J 5083 - 007
				VS3 - 5083 - 008	B - J 5083 - 008

D1 NUMERICAL INDEX (iR8500/8500P/7200/7200P)

PART NUMBER	FIGURE & KEY NO.	PART NUMBER	FIGURE & KEY NO.	PART NUMBER	FIGURE & KEY NO.
VS3 - 5083 - 011	B - J 5	WM2 - 5152 - 000	900 - 22	WS3 - 5569 - 000	B - J 1722
VS3 - 5083 - 015	B - J 1713	WS3 - 0437 - 000	B - J 1		B - J 1723
VS3 - 5121 - 002	B - J 25	WS3 - 0469 - 000	B - J 2		B - J 5008
	B - J 26		B - J 335		B - J 5503
VS3 - 5121 - 003	B - J 11	WS3 - 1091 - 000	B - J 764	WS3 - 5571 - 000	B - J 164
VS3 - 5121 - 004	B - J 12	WS3 - 5016 - 000	B - J 412	WS3 - 5596 - 000	B - J 228
	B - J 13	WS3 - 5160 - 000	B - J 2		B - J 240
	B - J 24		B - J 3		B - J 5105
VS3 - 5203 - 005	B - J 109		B - J 5	WS3 - 5598 - 000	B - J 32
VS4 - 0001 - 002	B - J 20		B - J 23		B - J 35
	B - J 21		B - J 28		B - J 37
VS4 - 0001 - 003	B - J 18		B - J 30		B - J 55
	B - J 19		B - J 42	WS3 - 5607 - 000	107 - 38
	B - J 25		B - J 43		107 - 39
VS4 - 0001 - 004	B - J 45		B - J 46		B - J 180
VS4 - 0001 - 006	B - J 40		B - J 56		B - J 322
VS4 - 0001 - 012	B - J 41		B - J 501	WS3 - 5609 - 000	320 - 136
VS4 - 0001 - 015	B - J 34		B - J 601		B - J 180
VS4 - 0002 - 002	B - J 20		B - J 611	WS3 - 5610 - 000	110 - 10
	B - J 21		B - J 621		111 - 11
VS4 - 0002 - 003	B - J 14		B - J 651	WS3 - 5612 - 000	111 - 12
	B - J 18		B - J 701	WS3 - 5613 - 000	110 - 11
VS4 - 0002 - 004	B - J 45		B - J 737		111 - 12
VS4 - 0002 - 006	B - J 40		B - J 761	WS3 - 5680 - 000	B - J 32
VS4 - 0002 - 012	B - J 41		B - J 782		B - J 35
VS4 - 0002 - 015	B - J 34		B - J 801		B - J 37
VS4 - 0002 - 015	B - J 34		B - J 851		B - J 50
VT2 - 0021 - 003	211 - 71		B - J 851		B - J 55
VT2 - 5161 - 016	B - J 507		B - J 943		B - J 783
VT2 - 5161 - 020	B - J 167		B - J 1001		B - J 1020
	B - J 314		B - J 1454		B - J 1027
	B - J 503		B - J 1713		B - J 1058
	B - J 518		B - J 1718		B - J 1102
	B - J 1110		B - J 1724		B - J 1305
VT2 - 5161 - 022	B - J 281		B - J 1726		B - J 1712
	B - J 290		B - J 5002		B - J 1714
	B - J 305		B - J 5005		B - J 1715
	B - J 515		B - J 5602		B - J 1716
	B - J 517		B - J 6001		B - J 1720
VT2 - 5161 - 024	107 - 35		B - J 8500		B - J 1721
	B - J 229		B - J 9009	WS3 - 5719 - 000	B - J 50
	B - J 322	WS3 - 5264 - 000	B - J 36	WS4 - 0217 - 000	B - J 14
	B - J 511		B - J 755		B - J 18
	B - J 516	WS3 - 5291 - 000	B - J 11		B - J 20
	B - J 519		B - J 12		B - J 25
VT2 - 5161 - 026	107 - 36		B - J 13		B - J 34
	320 - 134		B - J 24		B - J 40
	B - J 158	WS3 - 5292 - 000	B - J 4		B - J 41
	B - J 197		B - J 6	WS4 - 0218 - 000	B - J 21
	B - J 509		B - J 12		B - J 45
	B - J 513		B - J 13	WS4 - 0219 - 000	B - J 18
	B - J 1019		B - J 24		B - J 19
	B - J 1109	WS3 - 5301 - 000	B - J 781		B - J 20
VT2 - 5161 - 028	B - J 121		B - J 23		B - J 25
	B - J 504		B - J 28		B - J 34
	B - J 506		B - J 30		B - J 45
	B - J 512		B - J 42	WS4 - 0220 - 000	B - J 21
	B - J 514		B - J 43		B - J 40
	B - J 1453		B - J 46		B - J 41
VT2 - 5161 - 030	B - J 502		B - J 56		B - J 16
VT2 - 5161 - 032	B - J 510		B - J 271	WT1 - 0579 - 000	111 - 13
VT2 - 5161 - 034	B - J 407		B - J 8500	WT1 - 0580 - 000	102 - 37
	B - J 505		B - J 9009	WT2 - 0184 - 000	305 - 4
	B - J 1461	WS3 - 5358 - 000	B - J 48	WT2 - 5041 - 000	104 - 28A
VT2 - 5161 - 036	B - J 405		B - J 108	WT2 - 5178 - 000	194 - 2B
	B - J 1018		B - J 243		210 - 24B
	B - J 6801		B - J 244		313 - 38D
VT2 - 5161 - 040	107 - 37		B - J 245		360 - 58B
	320 - 135		B - J 334		550 - 22
	B - J 180	WS3 - 5365 - 000	B - J 109		315 - 51
	B - J 508	WS3 - 5419 - 000	B - J 47	WT2 - 5189 - 000	107 - 40
WA7 - 1497 - 000	900 - 13A		B - J 112	WT2 - 5546 - 000	101 - 20C
WA7 - 1498 - 000	900 - 13B		B - J 246	WT2 - 5565 - 000	105 - 14A
WC4 - 0153 - 000	120 - 10	WS3 - 5472 - 000	B - J 1		106 - 11A
WC4 - 5153 - 000	101 - 33		B - J 26		107 - 41
	275 - 47	WS3 - 5473 - 000	B - J 26		211 - 41A
WC4 - 5157 - 000	275 - 48	WS3 - 5569 - 000	B - J 165		231 - 6
WE8 - 5266 - 000	211 - 72		B - J 247		250 - 26
WE8 - 5406 - 000	211 - 44A		B - J 248		313 - 38E
	211 - 47B		B - J 721		320 - 137
WE8 - 5622 - 000	211 - 39B		B - J 722		600 - 81
WE8 - 5791 - 000	211 - 39C		B - J 741		645 - 10C
WE8 - 5851 - 000	900 - 21		B - J 763		770 - 8B
WK1 - 0084 - 000	930 - BAT1		B - J 791	WT8 - 0053 - 000	970 - 1
	935 - BAT1		B - J 1101	X62 - 5133 - 000	B - J 1091
WK1 - 5019 - 000	900 - 13C		B - J 1501		

D1 NUMERICAL INDEX (iR8500/8500P/7200/7200P)

PART NUMBER	FIGURE & KEY NO.	PART NUMBER	FIGURE & KEY NO.	PART NUMBER	FIGURE & KEY NO.
X62 - 7921 - 000	775 - 1 1	XA9 - 0628 - 000	312 - 6 7	XB1 - 2230 - 809	101 - 5 0 1
X71 - 9310 - 000	600 - 8 2		313 - 5 0		120 - 5 0 1
	640 - 3 3		315 - 5 2	XB1 - 2231 - 009	250 - 5 0 1
	645 - 2 0		315 - 5 3		275 - 5 0 2
XA1 - 6260 - 409	510 - 5 0 1		320 - 1 3 9	XB1 - 2260 - 407	320 - 5 0 1
XA9 - 0034 - 000	580 - 2 8		320 - 1 4 0	XB1 - 2300 - 402	640 - 5 0 1
XA9 - 0189 - 000	190 - 3		325 - 3 7	XB1 - 2300 - 407	311 - 5 0 1
XA9 - 0207 - 000	106 - 1 9		350 - 2 6		312 - 5 0 1
	106 - 2 0		351 - 3 2		313 - 5 0 1
	106 - 2 1		360 - 9 9		320 - 5 0 2
XA9 - 0228 - 000	550 - 2 3	XA9 - 0629 - 000	100 - 8 0		570 - 5 0 1
	580 - 2 9		100 - 8 1	XB1 - 2300 - 409	210 - 5 0 1
XA9 - 0253 - 000	330 - 8		100 - 8 2		311 - 5 0 2
	360 - 9 6		107 - 4 3		312 - 5 0 2
XA9 - 0265 - 000	107 - 4 2	XA9 - 0630 - 000	101 - 3 4		315 - 5 0 1
	215 - 2 8		103 - 2 8		325 - 5 0 1
	311 - 7 8		104 - 4 2		350 - 5 0 1
	312 - 6 4		105 - 2 8		360 - 5 0 1
XA9 - 0271 - 000	210 - 5 5		107 - 4 4		360 - 5 0 2
	312 - 6 5	XA9 - 0633 - 000	311 - 8 2		420 - 5 0 1
XA9 - 0384 - 000	106 - 2 2		312 - 6 8		430 - 5 0 1
XA9 - 0385 - 000	460 - 8		325 - 3 8		640 - 5 0 2
XA9 - 0425 - 000	430 - 1 3	XA9 - 0642 - 000	211 - 7 3		645 - 5 0 1
	431 - 7	XA9 - 0643 - 000	100 - 8 3		645 - 5 0 2
XA9 - 0427 - 000	215 - 2 9		101 - 3 5		810 - 5 0 1
XA9 - 0465 - 000	900 - 2 3		102 - 4 0	XB1 - 2300 - 506	107 - 5 0 1
XA9 - 0520 - 000	210 - 5 6		103 - 2 9	XB1 - 2300 - 602	600 - 5 0 1
XA9 - 0591 - 000	130 - 2 6		104 - 4 3	XB1 - 2300 - 603	550 - 5 0 1
	130 - 2 7		105 - 2 9	XB1 - 2300 - 604	640 - 5 0 3
	300 - 4 8		106 - 2 4	XB1 - 2300 - 607	107 - 5 0 2
	311 - 7 9		107 - 4 5		130 - 5 0 1
	570 - 2 4		107 - 4 6		210 - 5 0 2
XA9 - 0596 - 000	104 - 3 7		108 - 1 0		900 - 5 0 1
	420 - 2 3		210 - 5 8		900 - 5 0 2
	570 - 2 5		311 - 8 3		910 - 5 0 1
XA9 - 0605 - 000	100 - 7 5		312 - 6 9		910 - 5 0 2
	100 - 7 6		320 - 1 4 1	XB1 - 2300 - 609	102 - 5 0 1
	100 - 7 7		460 - 9		102 - 5 0 2
	100 - 7 8		940 - 1 1		102 - 5 0 3
	190 - 4	XA9 - 0670 - 000	130 - 2 8		103 - 5 0 1
	275 - 4 9	XA9 - 0685 - 000	302 - 4 4		105 - 5 0 1
	300 - 4 9		303 - 4 9		210 - 5 0 3
	302 - 4 3	XA9 - 0721 - 000	100 - 8 4		211 - 5 0 1
	303 - 4 8		300 - 5 2		211 - 5 0 2
	311 - 8 0		302 - 4 5		211 - 5 0 3
	312 - 6 6		303 - 5 0		211 - 5 0 4
	320 - 1 3 8	XA9 - 0732 - 000	211 - 7 4		275 - 5 0 3
	330 - 9	XA9 - 0739 - 000	110 - 1 2		300 - 5 0 1
	360 - 9 7		111 - 1 4		303 - 5 0 2
	360 - 9 8	XA9 - 0774 - 000	107 - 4 7		311 - 5 0 3
	600 - 8 3	XA9 - 0791 - 000	211 - 7 5		312 - 5 0 3
XA9 - 0615 - 000	100 - 7 9	XA9 - 0807 - 000	320 - 1 4 2		313 - 5 0 2
XA9 - 0625 - 000	350 - 2 5		810 - 9 2		320 - 5 0 3
XA9 - 0626 - 000	325 - 3 6	XA9 - 0813 - 000	251 - 8		351 - 5 0 1
	351 - 3 1	XA9 - 0828 - 000	900 - 2 4		510 - 5 0 2
XA9 - 0628 - 000	102 - 3 8	XA9 - 0836 - 000	900 - 2 5		550 - 5 0 2
	102 - 3 9		900 - 2 6		570 - 5 0 2
	103 - 2 6	XA9 - 0870 - 000	215 - 3 0		580 - 5 0 1
	103 - 2 7	XA9 - 0908 - 000	211 - 7 6		600 - 5 0 2
	104 - 3 8		315 - 5 4		810 - 5 0 2
	104 - 3 9		320 - 1 4 3		940 - 5 0 1
	104 - 4 0		360 - 1 0 0		940 - 5 0 2
	104 - 4 1	XA9 - 0915 - 000	103 - 3 0	XB1 - 2300 - 809	320 - 5 0 4
	105 - 2 5		550 - 2 4		600 - 5 0 3
	105 - 2 6		580 - 3 0		645 - 5 0 3
	105 - 2 7	XA9 - 0924 - 000	103 - 3 1	XB1 - 2301 - 207	210 - 5 0 4
	106 - 2 3	XA9 - 0925 - 000	810 - 9 3		550 - 5 0 3
	108 - 8	XA9 - 0940 - 000	320 - 1 4 4	XB1 - 2301 - 209	420 - 5 0 2
	108 - 9	XA9 - 0962 - 000	251 - 9		460 - 5 0 1
	195 - 3	XA9 - 0965 - 000	210 - 5 9	XB1 - 2301 - 407	110 - 5 0 1
	210 - 5 7	XA9 - 1030 - 000	250 - 2 8		111 - 5 0 1
	230 - 6		260 - 2 0		770 - 5 0 1
	231 - 7		320 - 1 4 5	XB1 - 2301 - 603	570 - 5 0 3
	250 - 2 7		325 - 3 9	XB1 - 2302 - 503	550 - 5 0 4
	251 - 7	XA9 - 1090 - 000	106 - 2 5	XB1 - 2400 - 407	320 - 5 0 5
	260 - 1 9	XA9 - 1091 - 000	106 - 2 6		570 - 5 0 4
	261 - 9		215 - 3 1	XB1 - 2400 - 409	103 - 5 0 2
	263 - 5	XA9 - 1092 - 000	210 - 6 0		103 - 5 0 3
	264 - 1 2	XA9 - 1207 - 000	900 - 2 7		103 - 5 0 4
	270 - 1 4	XA9 - 1208 - 000	900 - 2 8		104 - 5 0 1
	280 - 1 7	XA9 - 1278 - 000	106 - 2 7		104 - 5 0 2
	300 - 5 0	XA9 - 1331 - 000	103 - 3 2		104 - 5 0 3
	300 - 5 1	XB1 - 1200 - 405	275 - 5 0 1		305 - 5 0 1
	305 - 5	XB1 - 2200 - 409	302 - 5 0 1		320 - 5 0 6
	311 - 8 1		303 - 5 0 1		810 - 5 0 3

D1 NUMERICAL INDEX (iR8500/8500P/7200/7200P)

PART NUMBER	FIGURE & KEY NO.	PART NUMBER	FIGURE & KEY NO.	PART NUMBER	FIGURE & KEY NO.				
XB1 - 2400 - 606	100 - 501	XB3 - 6400 - 800	100 - 502	XD1 - 1108 - 235	300 - 505				
	101 - 502		105 - 505		XD1 - 1108 - 239	302 - 505			
	110 - 502		211 - 506			303 - 506			
	111 - 502		211 - 507		XD1 - 2100 - 307	550 - 507			
	316 - 501		211 - 508			XD1 - 3100 - 805	108 - 501		
	XB1 - 2400 - 607		107 - 503			211 - 509	XD1 - 4200 - 502	110 - 505	
			275 - 504			XB3 - 6400 - 805		111 - 506	
			302 - 502				105 - 506	XD1 - 4200 - 602	211 - 513
			303 - 503				105 - 507	XD2 - 1100 - 172	320 - 518
			900 - 503				211 - 510	XD2 - 1100 - 242	231 - 502
930 - 501		194 - 501		311 - 506					
935 - 501		600 - 509		312 - 505					
XB1 - 2400 - 609		102 - 504	300 - 503				313 - 506		
		103 - 505	300 - 504		320 - 519				
		103 - 506	101 - 504		350 - 504				
	103 - 507	316 - 502		550 - 508					
	104 - 504	XB4 - 7300 - 609	210 - 512	570 - 505					
	210 - 505		320 - 512	580 - 503					
	210 - 506		360 - 505	810 - 513					
	215 - 501		640 - 505	XD2 - 1100 - 322	275 - 509				
	275 - 505		645 - 504		280 - 502				
	300 - 502		360 - 506		311 - 507				
302 - 503	720 - 501		313 - 507						
303 - 504	320 - 513		315 - 503						
311 - 504	215 - 503		315 - 504						
312 - 504	210 - 513		320 - 520						
313 - 503	600 - 510	325 - 505							
315 - 502	600 - 511	600 - 514							
320 - 507	107 - 505	810 - 514							
320 - 508	231 - 501	XD2 - 1100 - 372	311 - 508						
350 - 502	302 - 504		312 - 506						
360 - 503	303 - 505		104 - 505						
360 - 504	810 - 509		302 - 506						
460 - 502	211 - 511		303 - 507						
510 - 503	320 - 514		325 - 506						
600 - 504	360 - 507		351 - 502						
600 - 505	264 - 501		600 - 515						
770 - 502	325 - 503		102 - 507						
810 - 504	260 - 501		102 - 508						
940 - 503	211 - 512	104 - 506							
940 - 504	305 - 502	104 - 507							
985 - 501	421 - 502	104 - 508							
XB1 - 2400 - 806	101 - 503	430 - 502	107 - 511						
	XB1 - 2400 - 809	210 - 514	108 - 502						
		XB1 - 2401 - 009	350 - 503	250 - 502					
			XB1 - 2401 - 209	420 - 505	270 - 501				
				XB1 - 2401 - 409	550 - 506	275 - 510			
					210 - 507	810 - 510	280 - 503		
					215 - 502	275 - 508	300 - 506		
					XB1 - 2401 - 609	600 - 506	105 - 508	303 - 508	
						XB1 - 2402 - 009	110 - 503	210 - 515	311 - 509
							111 - 503	215 - 504	312 - 507
900 - 504							305 - 503	313 - 508	
275 - 506	320 - 515						315 - 505		
210 - 509	600 - 512	320 - 521							
910 - 503	510 - 505	320 - 522							
XB1 - 2403 - 509	105 - 502	431 - 501	325 - 507						
	XB1 - 2404 - 009	320 - 509	421 - 503	350 - 505					
		XB1 - 2500 - 606	110 - 504	320 - 516			360 - 510		
			111 - 504	810 - 511	431 - 502				
			XB1 - 3400 - 606	130 - 502	320 - 517	600 - 516			
				XB2 - 4300 - 607	210 - 510	640 - 506	640 - 508		
					XB2 - 7300 - 407	640 - 504	645 - 505	645 - 507	
						XB2 - 7300 - 607	325 - 502	107 - 506	720 - 502
							550 - 505	107 - 507	770 - 505
							580 - 502	311 - 505	810 - 515
600 - 507							107 - 508	320 - 523	
XB2 - 7400 - 606	111 - 505						107 - 509	102 - 509	
	XB2 - 7400 - 607	210 - 511					101 - 505	102 - 510	
		460 - 503					770 - 504	102 - 511	
		770 - 503	360 - 508				105 - 511		
		XB2 - 7400 - 609	211 - 505	105 - 509			120 - 503		
			XB2 - 7400 - 806	320 - 510	105 - 510		210 - 516		
				XB2 - 8300 - 607	420 - 503	102 - 505	210 - 517		
					XB2 - 8300 - 609	600 - 508	645 - 506	211 - 514	
						XB2 - 8300 - 809	420 - 504	640 - 507	211 - 515
							421 - 501	810 - 512	211 - 516
XB2 - 8400 - 809							275 - 507	102 - 506	230 - 501
	510 - 504						107 - 510	250 - 503	
	XB2 - 8401 - 007						105 - 503	600 - 513	251 - 501
							105 - 504	325 - 504	260 - 502
		XB2 - 8401 - 009					320 - 511	263 - 501	261 - 501
			810 - 507				280 - 501	263 - 502	
			XB2 - 8401 - 209	810 - 508			313 - 504	264 - 502	
				XB3 - 6300 - 800	107 - 504		313 - 505	270 - 502	
					120 - 502	360 - 509			

D1 NUMERICAL INDEX (iR8500/8500P/7200/7200P)

PART NUMBER	FIGURE & KEY NO.	PART NUMBER	FIGURE & KEY NO.	PART NUMBER	FIGURE & KEY NO.	
XD2 - 1100 - 642	275 - 5 1 1	XD3 - 2200 - 142	320 - 5 3 4	XG9 - 0362 - 000	360 - 1 0 9	
	280 - 5 0 4		325 - 5 0 9		XG9 - 0385 - 000	275 - 5 1
	302 - 5 0 7		330 - 5 0 3		XG9 - 0387 - 000	330 - 1 1
	303 - 5 0 9		360 - 5 1 4		XG9 - 0395 - 000	270 - 1 7
	311 - 5 1 0		230 - 5 0 2		XG9 - 0406 - 000	810 - 9 4
	312 - 5 0 8		250 - 5 0 6		XG9 - 0407 - 000	311 - 8 5
	313 - 5 0 9		260 - 5 0 4			312 - 7 3
	320 - 5 2 4		261 - 5 0 3			313 - 5 2
	320 - 5 2 5		263 - 5 0 5		XG9 - 0421 - 000	810 - 9 5
	320 - 5 2 6		264 - 5 0 4		XG9 - 0439 - 000	302 - 4 7
	320 - 5 2 7		320 - 5 3 5			303 - 5 3
	325 - 5 0 8		330 - 5 0 4		XG9 - 0447 - 000	810 - 9 6
	330 - 5 0 1		360 - 5 1 5		XH9 - 0006 - 000	210 - 6 3
	360 - 5 1 1		250 - 5 0 7		XH9 - 0082 - 000	302 - 4 8
	430 - 5 0 3		360 - 5 1 6			303 - 5 4
	430 - 5 0 4		775 - 5 0 2		XH9 - 0090 - 000	275 - 5 2
	600 - 5 1 7		320 - 5 3 6		XH9 - 0110 - 000	900 - 2 9
645 - 5 0 8	275 - 5 1 4	XZ9 - 0251 - 000	120 - 1 1			
775 - 5 0 1	250 - 5 0 8	XZ9 - 0367 - 000	108 - 1 1			
810 - 5 1 6	260 - 5 0 5	XZ9 - 0407 - 000	316 - 1 6			
XD2 - 1100 - 802	320 - 5 2 8	260 - 5 0 6	XZ9 - 0444 - 000	211 - 7 9		
	330 - 5 0 2	320 - 5 3 7	XZ9 - 0472 - 000	275 - 5 3		
XD2 - 1200 - 902	600 - 5 1 8	320 - 5 3 8	XZ9 - 0503 - 000	900 - 3 0		
	810 - 5 1 7	302 - 4 6				
	810 - 5 1 8	303 - 5 1				
	XD2 - 2100 - 302	316 - 1 5				
	XD2 - 2100 - 502	315 - 5 5				
	XD2 - 2100 - 602	106 - 2 8				
	XD2 - 2100 - 802	360 - 1 0 1				
		360 - 1 0 2				
		360 - 1 0 3				
		210 - 6 1				
		211 - 7 7				
	XD2 - 2101 - 002	303 - 5 2				
	XD2 - 2300 - 202	311 - 8 4				
		312 - 7 0				
		313 - 5 1				
	XD2 - 2300 - 242	360 - 1 0 4				
XD2 - 2300 - 402	102 - 4 1					
XD2 - 2300 - 602	102 - 4 2					
XD2 - 3100 - 102	320 - 1 4 6					
XD2 - 3100 - 202	210 - 6 2					
XD3 - 0300 - 082	600 - 4 4 A					
XD3 - 1200 - 102	600 - 8 4					
	640 - 3 4					
	600 - 4 7 A					
XD3 - 1200 - 122	600 - 8 5					
	275 - 5 0					
	261 - 1 0					
XD3 - 1200 - 142	312 - 7 1					
	320 - 1 4 7					
	320 - 1 4 8					
XD3 - 1300 - 082	325 - 4 0					
	360 - 1 0 5					
XD3 - 1300 - 102	775 - 1 2					
	104 - 4 4					
XD3 - 1300 - 142	104 - 4 5					
	106 - 2 9					
XD3 - 2200 - 082	102 - 4 3					
	230 - 7					
	260 - 2 1					
	263 - 6					
	264 - 1 3					
	270 - 1 5					
	360 - 1 0 6					
	102 - 4 4					
	102 - 4 5					
	102 - 4 6					
	211 - 7 8					
	250 - 2 9					
	260 - 2 2					
	270 - 1 6					
	280 - 1 8					
XD3 - 2200 - 102	312 - 7 2					
	320 - 1 4 9					
	320 - 1 5 0					
	320 - 1 5 1					
	330 - 1 0					
	360 - 1 0 7					
	600 - 8 6					
	360 - 1 0 8					
	104 - 4 6					
	104 - 4 7					
	510 - 1 1					
	280 - 1 9					
	XD3 - 2200 - 122	260 - 5 0 3				
		261 - 5 0 2				
		263 - 5 0 4				
270 - 5 0 4						
275 - 5 1 3						
280 - 5 0 7						
102 - 5 1 4						
102 - 5 1 5						
102 - 5 1 6						
250 - 5 0 4						
263 - 5 0 3						
264 - 5 0 3						
270 - 5 0 3						
280 - 5 0 6						
311 - 5 1 4						
312 - 5 1 2						
313 - 5 1 4						
315 - 5 1 0						
320 - 5 3 3						
360 - 5 1 3						
810 - 5 2 0						
XD3 - 2200 - 142	250 - 5 0 5					
	260 - 5 0 3					
	261 - 5 0 2					
	263 - 5 0 4					
	270 - 5 0 4					
	275 - 5 1 3					
	280 - 5 0 7					
	XG9 - 0224 - 000	104 - 4 4				
	XG9 - 0248 - 000	104 - 4 5				
	XG9 - 0249 - 000	106 - 2 9				
		102 - 4 3				
		230 - 7				
		260 - 2 1				
		263 - 6				
		264 - 1 3				
	270 - 1 5					
	360 - 1 0 6					
XG9 - 0250 - 000	102 - 4 4					
	102 - 4 5					
	102 - 4 6					
	211 - 7 8					
	250 - 2 9					
	260 - 2 2					
	270 - 1 6					
	280 - 1 8					
	312 - 7 2					
	320 - 1 4 9					
	320 - 1 5 0					
	320 - 1 5 1					
	330 - 1 0					
	360 - 1 0 7					
	600 - 8 6					
	360 - 1 0 8					
XG9 - 0291 - 000	104 - 4 6					
XG9 - 0302 - 000	104 - 4 7					
XG9 - 0307 - 000	510 - 1 1					
XG9 - 0350 - 000	280 - 1 9					

D2 NUMERICAL INDEX

PART NUMBER	FIGURE & KEY NO.	PART NUMBER	FIGURE & KEY NO.	PART NUMBER	FIGURE & KEY NO.
FG3 - 1745 - 000	U10 - 1				
FG3 - 1970 - 000	U90 -				
FG6 - 5964 - 000	U10 - 2				
FG9 - 3845 - 000	U90 - I C7				
FH4 - 6127 - 000	U90 - I C4				
FH5 - 3127 - 000	U90 - 1				
RH4 - 5394 - 000	U90 - I C1				
XB1 - 2300 - 607	U10 - 5 0 1				

D3 NUMERICAL INDEX (Ethernet Network Interface Adapter) iN-E3

PART NUMBER	FIGURE & KEY NO.	PART NUMBER	FIGURE & KEY NO.	PART NUMBER	FIGURE & KEY NO.
FG6 - 5964 - 000	G10 - 1				

Prepared by
OFFICE IMAGING PRODUCTS QUALITY ASSURANCE CENTER

CANON INC.
Printed in Japan

REVISION 0 [APR. 2001]
REVISION 1 [OCT. 2001]

5-1, Hakusan 7-chome, Toride-city, Ibaraki 302-8501, Japan



This publication is
printed on 100%
recycled paper.

Canon